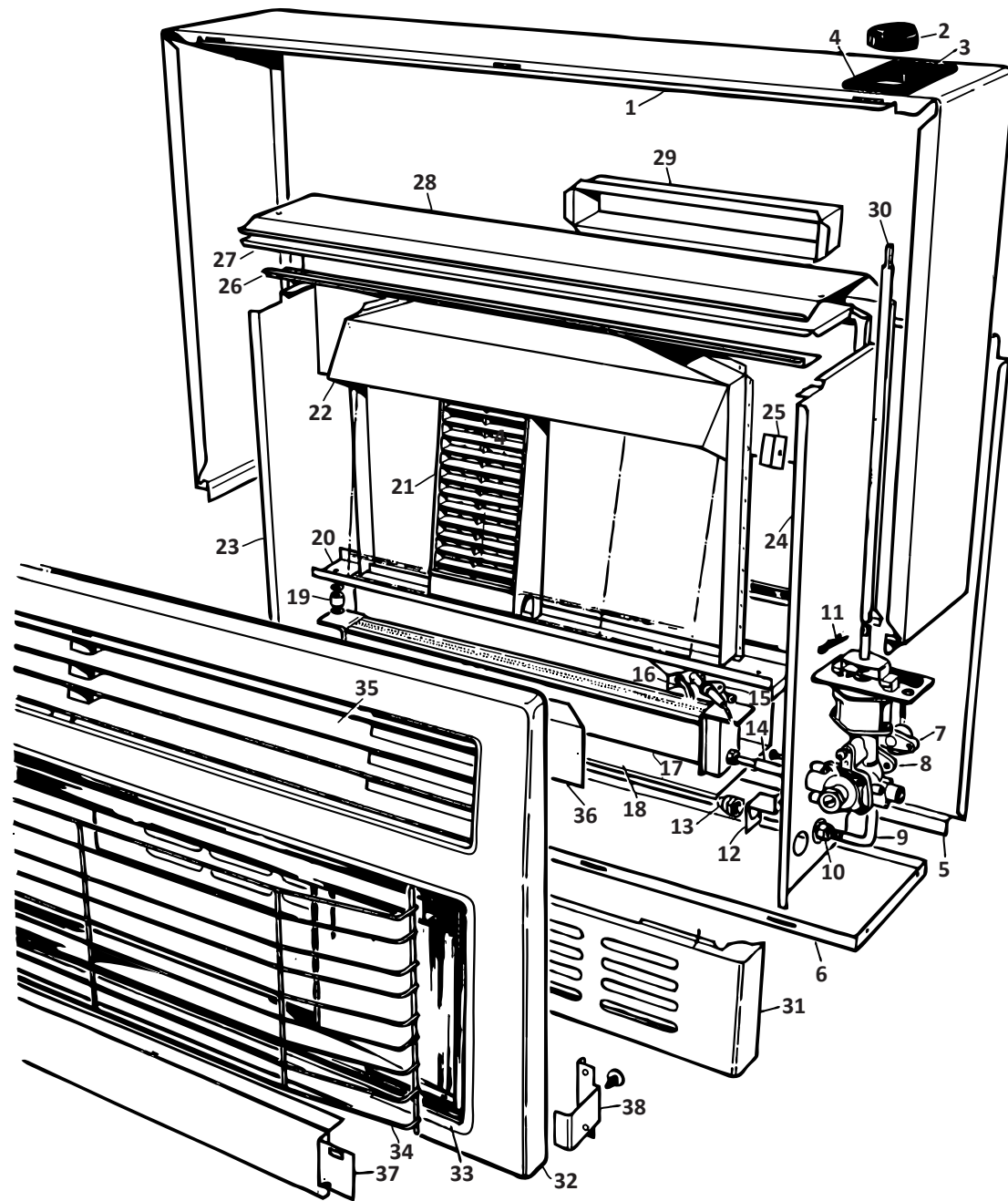


# Slimline 18 MJ and 22 MJ Flued Heater

This diagram is provided to assist you to identify parts if replacement is necessary. Contact your place of purchase or the manufacturer to enquire about parts, availability and/or service.



Ref.	Description	Part No.
1	Surround light grey	6292D
2	Control knob	5418
3	Escutcheon label	6274
4	Escutcheon	5469
5	Back panel round flue 4 " and 3 "	6296
6	Bottom panel	6282M
7	Cock connecting elbow	5402
8	Gas cock R22SL NG	5405
9	Gas supply tube NG	6216
10	Adaptor 1/8 x 3/8 BSP	5461
11	Snap pin	5476
12	Inlet adaptor bracket	6208
13	Flare nut 3/8	5030
14	Injector NG 2.2 mm (22 MJ)	6299
15	Electrode with lead	5596
16	Thermocouple	6133
17	Burner	6202
19	Burner spacer	9192
20	Burner support	6291
21	Radiant 4 (sold individually)	6201
22	Comb. chamber rectangular flue (no longer required to stock after June 2005)	Not available
22	Combustion chamber round flue	6249
23	Side panel NG/LPG LH	6293
24	Side panel LPG RH	6230
25	Front panel support bracket	6290
26	Tie rail	6287
27	Heat shield inner	6212
28	Heat shield outer	6226

Ref.	Description	Part No.
29	Flue connector rectangular (for obsolete model last manufactured approx. 15 yrs ago, part no longer available)	Not available
29	Flue spigot 4 " 22MJ	6154
29	Flue spigot 3 " (18 MJ)	6155
30	Control rod NG	6266
31	Bottom louvre light grey	6217D
32	Front panel tusk (current colour)	6601D
33	Reflector panel top	6283
33	Reflector panel bottom	6284
33	Reflector panel LH	6285
33	Reflector panel RH	6286
34	Dress guard	6609
35	Top louvre white and light grey	6602W
36	Front panel top shield	6288
37	Front panel bottom shield	6289
38	Front panel fixing bracket	6603
<b>Not shown in exploded diagram</b>		
-	Plinth white and light grey	6214W
-	Thermocouple locknut	5417
<b>Paint codes</b>		
<ul style="list-style-type: none"> <li>• Orica 9175 tusk</li> <li>• Akso birch grey ML152A</li> <li>• Stove bright 1PL1017025003 grey</li> </ul>		