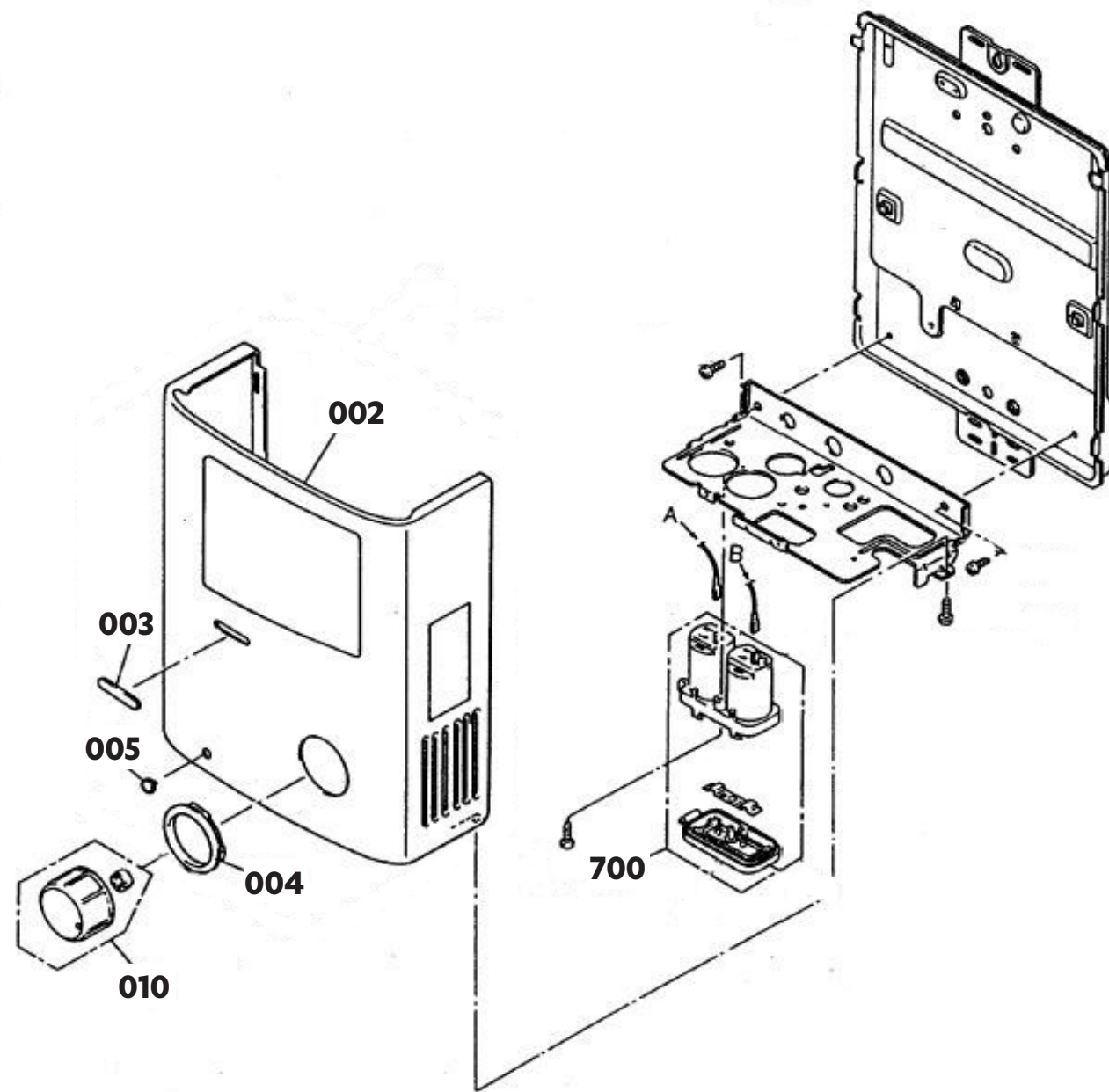


# RUS 51 FT multipoint water heater

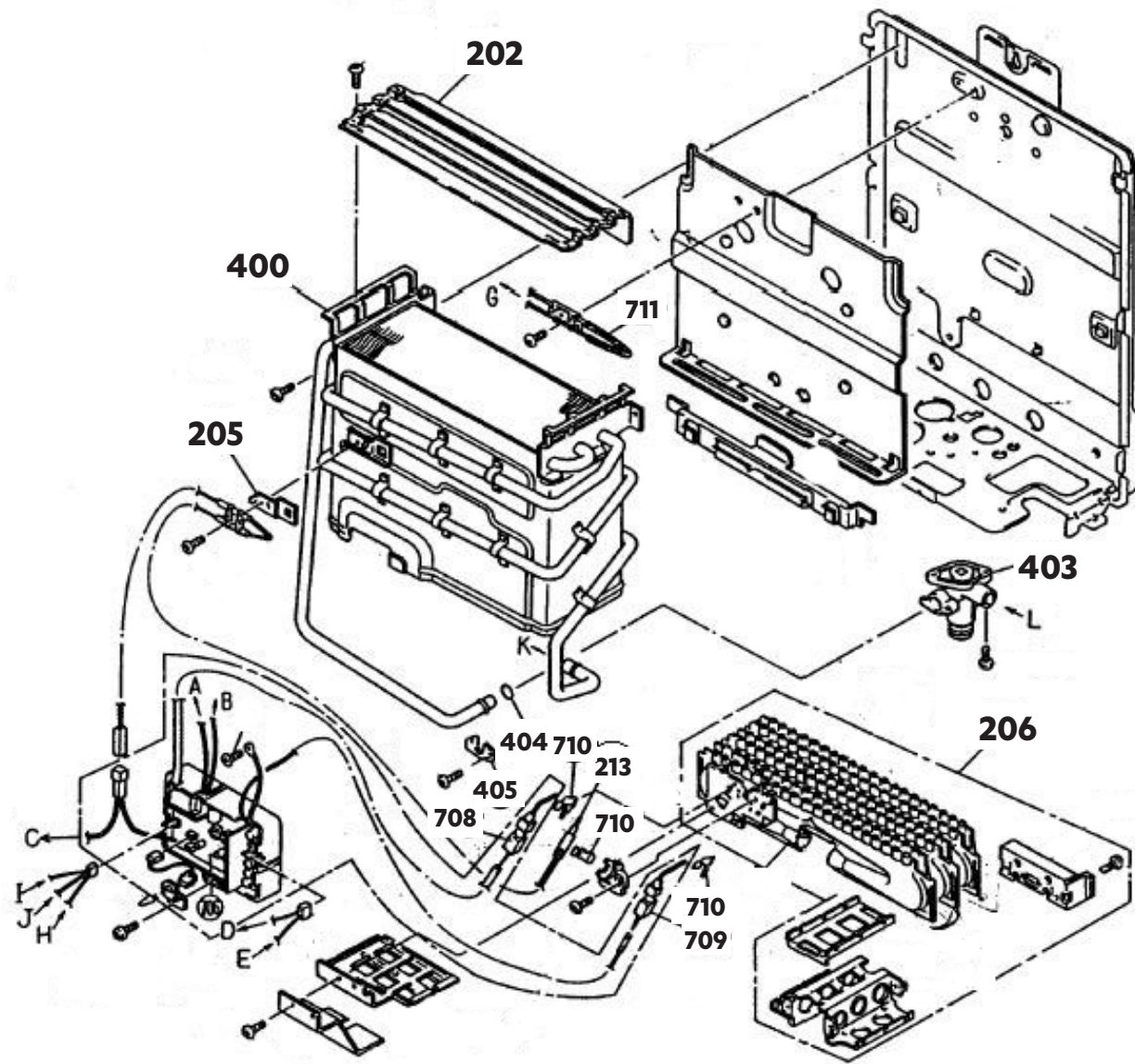
This diagram is provided to assist you to identify parts if replacement is necessary, however due to the age of the appliance limited parts are available.



Ref.	Description	Part No.
002	Front panel	1284
003	Ignition window	1283
004	Knob frame	1282
005	Lamp cover	1281
010	Control button	1280
700	Battery case	1037

# RUS 51 FT multipoint water heater

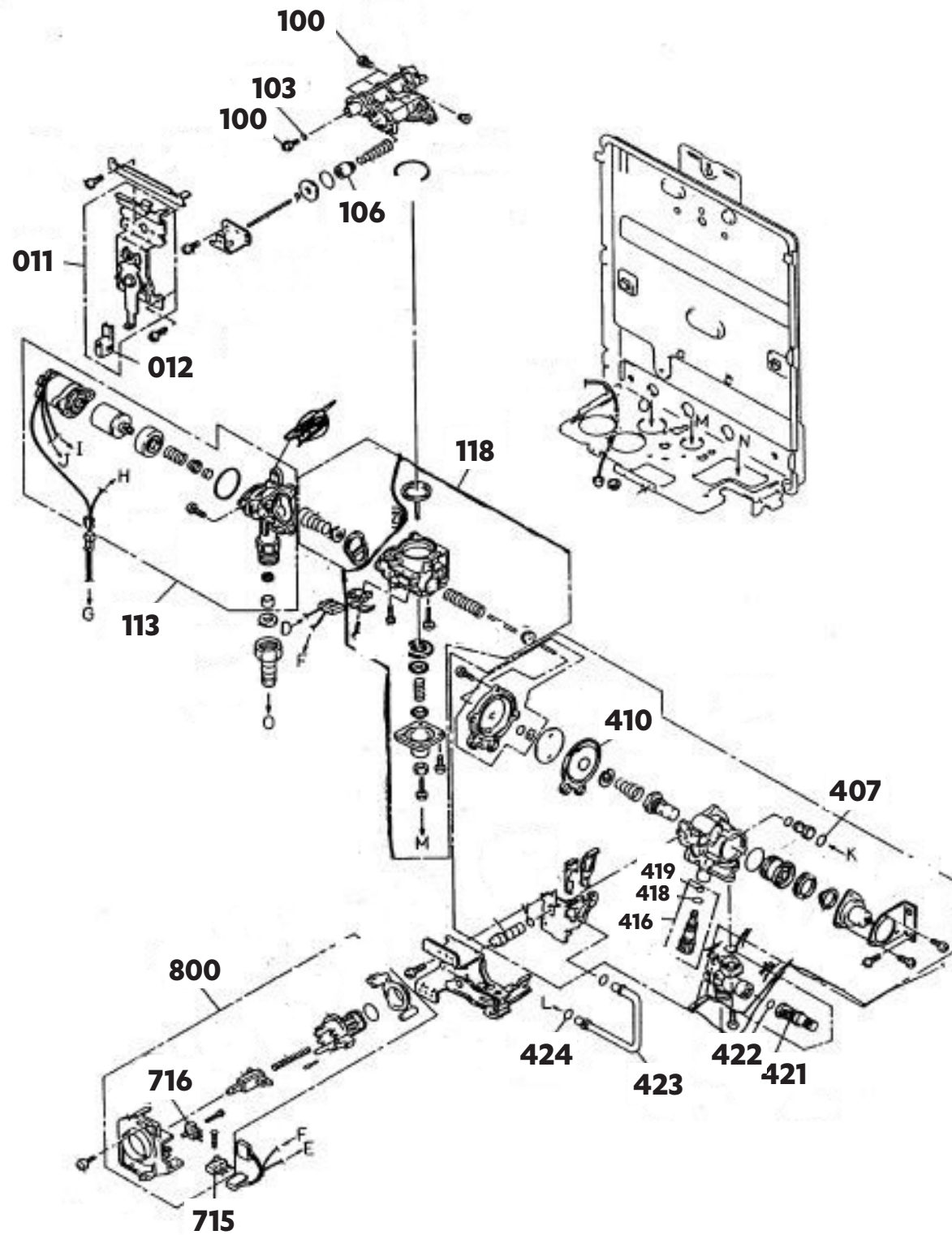
This diagram is provided to assist you to identify parts if replacement is necessary, however due to the age of the appliance limited parts are available.



Ref.	Description	Part No.
202	Exhaust hood	1273
205	Thermocouple plate NG	1272
205	Thermocouple plate LPG	1271
206	Burner assembly LPG	1024
206	Burner assembly NG	1022
213	Thermocouple	1159
400	Heat exchanger	1268
403	Water outlet connection	1263
404	O-ring 9 mm	1196
405	Water outlet retainer	1191
708	1050	
709	Flame rod	1061
710	Thermocouple retainer	6632
711	Temperature fuse	1072

# RUS 51 FT multipoint water heater

This diagram is provided to assist you to identify parts if replacement is necessary, however due to the age of the appliance limited parts are available.



Ref.	Description	Part No.
011	Water flow control	1277
012	Temperature control knob	1276
100	Main injector LPG 0.73 mm	1228
100	Main injector NG 1.08 mm	1025
103	O-ring 4 mm	2239
106	Orifice LPG	1278
106	Orifice NG	1279
113	Gas cock	1275
118	Gas regulator	1274
407	O-ring 9 mm	1196
-	O-ring 6 mm	1241
410	Diaphragm	1254
416	Water drain valve	1235
418	O-ring 5 mm	1234
419	O-ring 2 mm	1233
421	Water filter	1247
422	O-ring 12 mm	1106
423	Bypass pipe	1119
424	O-ring 7 mm	1031
715	Micro switch	1227
716	Micro switch	1393
800	Water flow control	1035
-	PCB	1239

# RUS 51 FT multipoint water heater

This diagram is provided to assist you to identify parts if replacement is necessary, however due to the age of the appliance limited parts are available.

Ref.	Description	Part No.
430	Shower pipe	3195
432	Shower pipe head	3086

