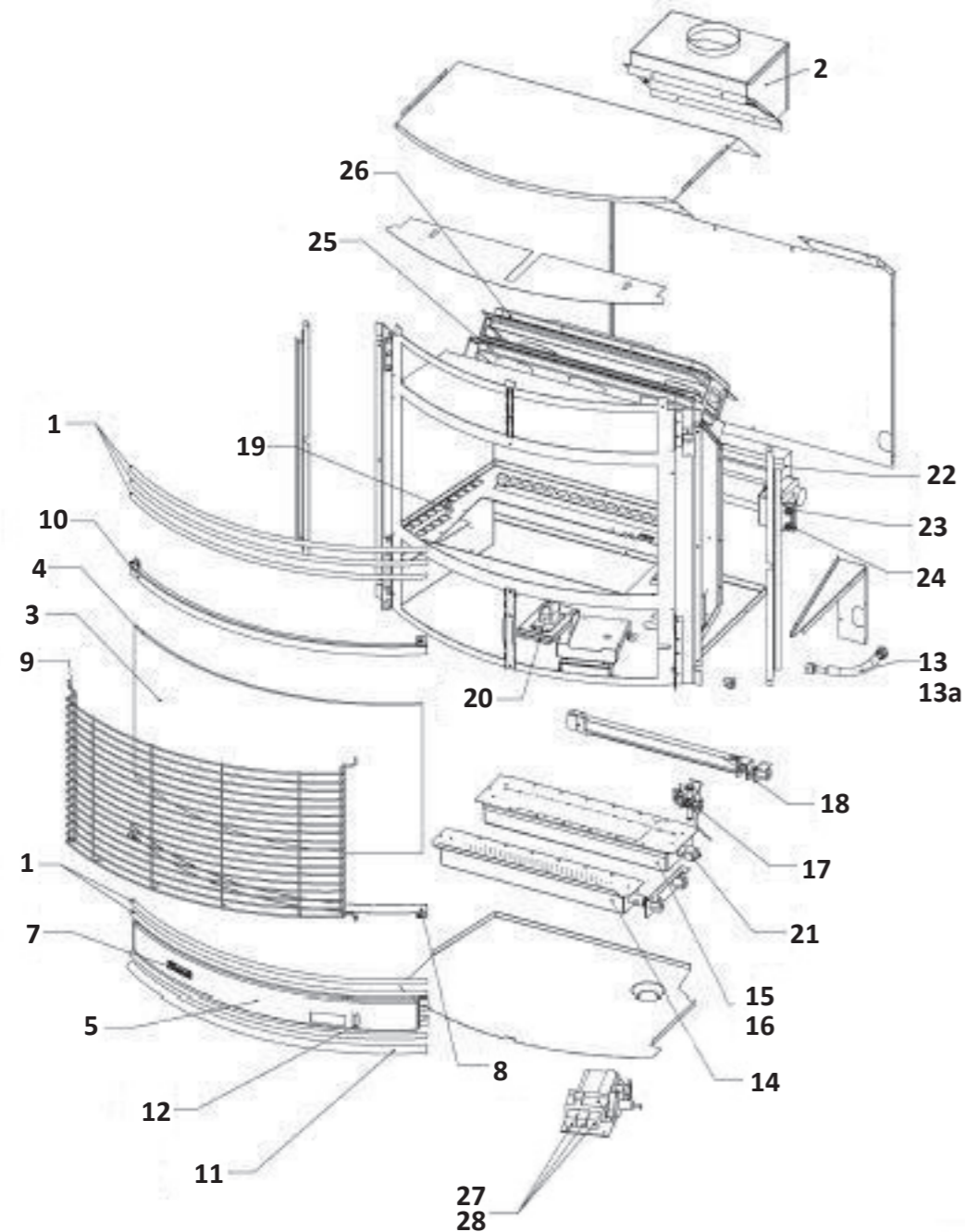


# Timberflame Radius Manual (IB35R) gas fireplace

This diagram is provided to assist you to identify parts if replacement is necessary. Contact your place of purchase or the manufacturer to enquire about parts, availability and/or service.

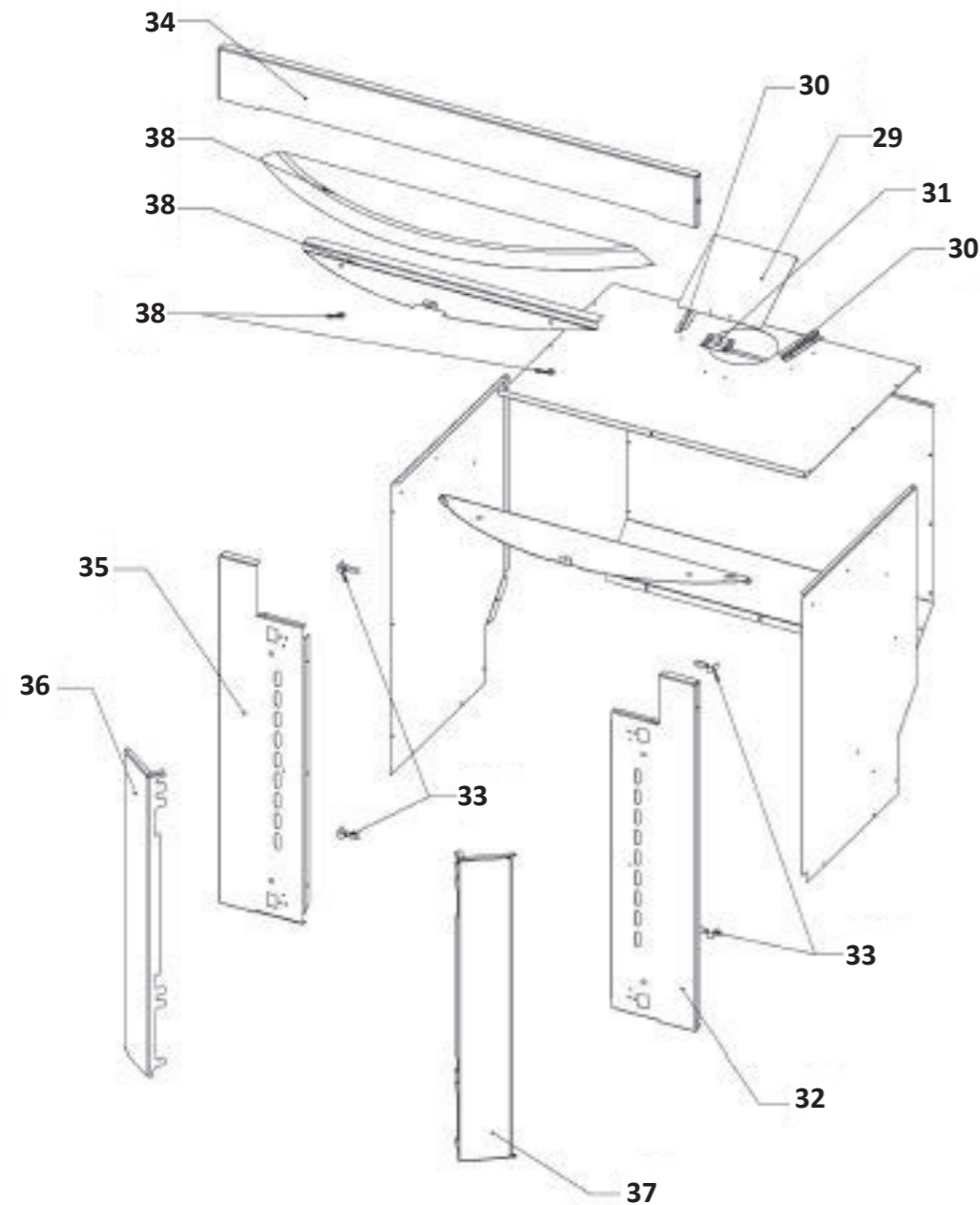


Ref.	Description	Part No.
1	Louvre tube 9.5 - silver (x 6)	R1770-2
	Louvre tube 9.5 - black (x 6)	7029BN
	Louvre tube 9.5 - gold (x 6)	7029
2	Flue spigot	7174-1
3	Glass assembly including seal	4996
4	Glass seal replacement tape kit	R7010
5	Panel front painted - silver powder coat (new silver)	7195SP
	Panel front painted - satin black (viper)	7195V
7	Rinnai badge	5327G
8	Glass retaining bracket bottom - black	7037
	Glass retaining bracket bottom - silver	7056S
9	Dress guard NZ	R1776
10	Glass retaining bracket top - silver	7057S
	Glass retaining bracket top - black	7033
11	Louvre tube 15.8 (x 1)	7099
12	Fan switch (rocker)	7089
13a	Flexitube replacement kit (fires manufactured before 21/02/04)	4988
13	Inlet flex tube	7179
14	Front burner	7040
15	Main burner NG	4970
16	Main burner LPG	4971
17	Pilot burner c/w NG pilot injector	7008
18	Rear burner	6384
19	Log locating sleeve	7240
20	Sparker	6917
21	Aeration sleeve - NG only	7258
22	Fan kit 10100X1	R1903
23	Fan mounting grommet	7129
24	Fan mounting sleeve	7130

Ref.	Description	Part No.
25	Front heat exchanger	6620
26	Rear heat exchanger	7027
27	Control button	6617G
28	Control button spring clip	6618
<b>Paint information</b>		
-	Touch-up paint silver	R1880
-	Touch-up paint - satin black (viper)	R1881
<b>Paint code and supplier information</b>		
Silver powder coat: Rahasia silver, SP5182		
Old silver: Rinnai silver, Orica 95496618		
Old matt black: Black metallic, Orica 95483276		

# Timberflame Radius Manual (IB35R) gas fireplace

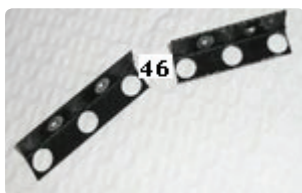
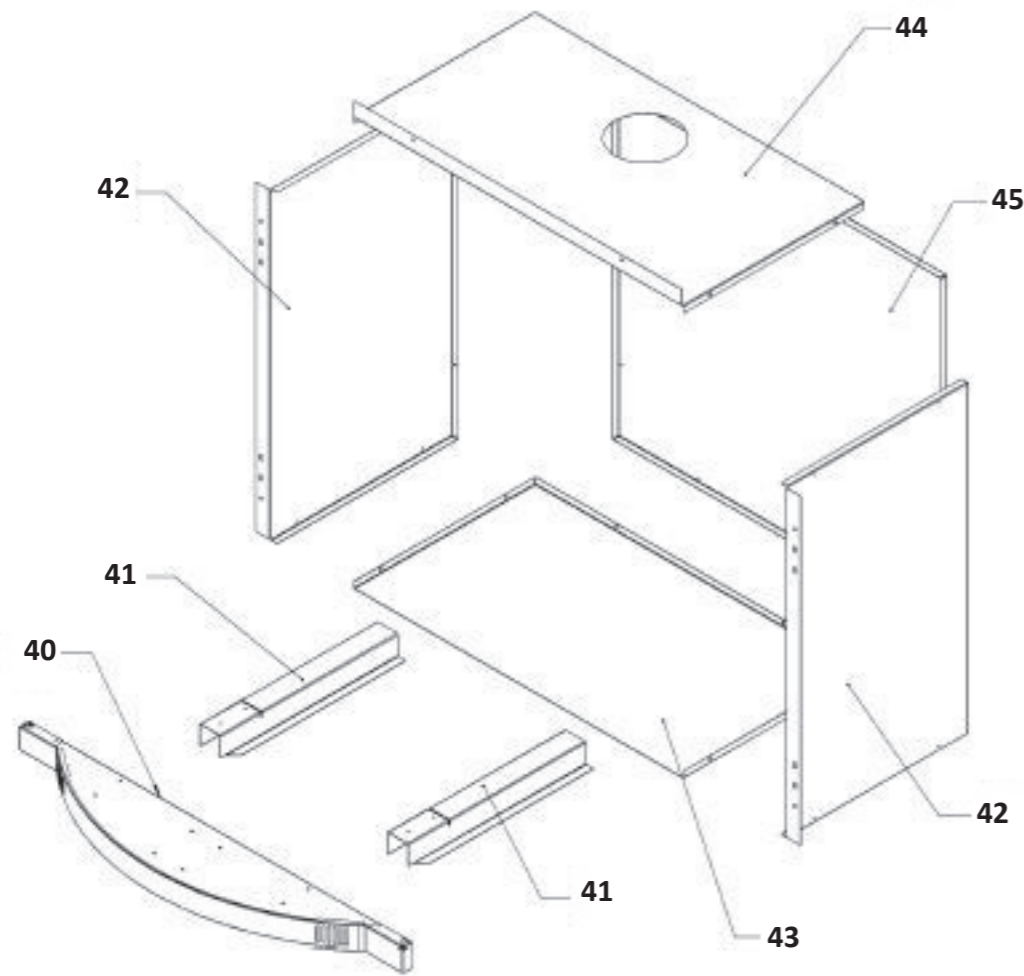
This diagram is provided to assist you to identify parts if replacement is necessary. Contact your place of purchase or the manufacturer to enquire about parts, availability and/or service.



Ref.	Description	Part No.
29	Flue guard	7274
30	Flue spigot guide (left/right)	7241L/7241R
31	Flue guard hinge	7216
	Panel surround RH - satin black (viper)	7192V
	Panel surround RH - silver powder coat	7192SP
33	Door spring	7177
34	Panel surround top - silver	7190S
35	Panel surround LH - silver powder coat (new silver)	7191SP
	Panel surround LH - satin black (viper)	7191V
36	Door LH - silver powder coat (new silver)	7193SP
	Door LH - satin black (viper)	7193V
37	Door RH - satin black (viper)	7194V
	Door RH - silver powder coat (new silver)	7194SP
38	Panel top assembly - silver powder coat (new silver)	7189SP
	Panel top assembly - matt black	7189

# Timberflame Radius Manual (IB35R) gas fireplace

This diagram is provided to assist you to identify parts if replacement is necessary. Contact your place of purchase or the manufacturer to enquire about parts, availability and/or service.



Ref.	Description	Part No.
40	Zero clearance plinth - satin black (viper)	R1783-1V
41	Zero clearance heater support	R1783-3
42	Zero clearance side panel	R1783-4
43	Zero clearance base panel	R1783-5
44	Zero clearance top panel	R1783-6
45	Zero clearance rear panel	R1783-7
46	Louvre bracket top IB painted (x2) Goes at the top of the combustion chamber to hold the top louvres in place at the sides	7217

#### Gas supply tube spare part information

In 2004 changes were made to the way in which the gas supply tubes were made. For the IB35R this change occurred on the 23/04/2004, serial number **12673** onwards. If ordering any of the below parts, double check the serial number so the correct part can be ordered.

- Gas supply tube A middle**  
 Old pre 23/04/2004                      7161 + 7519\*  
 New 23/04/2004 onwards                7784
- Gas supply tube B front**  
 Old pre 23/04/2004                      7162  
 New 23/04/2004 onwards                7785
- Gas supply tube C rear**  
 Old pre 23/04/2004                      7163  
 New 23/04/2004 onwards                7786

\* Also need to order 7519 nut and olive

Description	Part No.
<b>Spares not shown in exploded diagrams</b>	
Conversion kit (LPG to NG)	R1789
Conversion kit (NG to LPG)	R1797
Cord holder	6653
Electrode	7007
Fan sensor switch	6635
Fan switch relocation template	2549
Flare nut 3/8"	5030
Flue seal foam	7186R
Fire mounting bracket	7287
Gas control assembly	4995
Gas tube retainer	6643
Injector Bray 170 LPG - middle	7184
Injector Bray 440 NG - middle	7181
Injector Bray 200 NG - front	7183
Injector 0.80 mm LPG front	5450
Injector 0.90 mm LPG rear	5436
Injector 1.30 mm NG - rear	5452
Log set c/w granules	7044
Pilot injector LPG 0.30 mm	7009
Pilot injector NG 0.45 mm	9600
Power cord	6765B
Thermocouple clip (2000)	9377
Thermocouple c/w OHS	7118
Universal high tension lead (also known as a sparker lead)	R7205
Wiring diagram	7052
Wiring harness	7248
Zero clearance box	AAC1783
Zero clearance kit	R1783