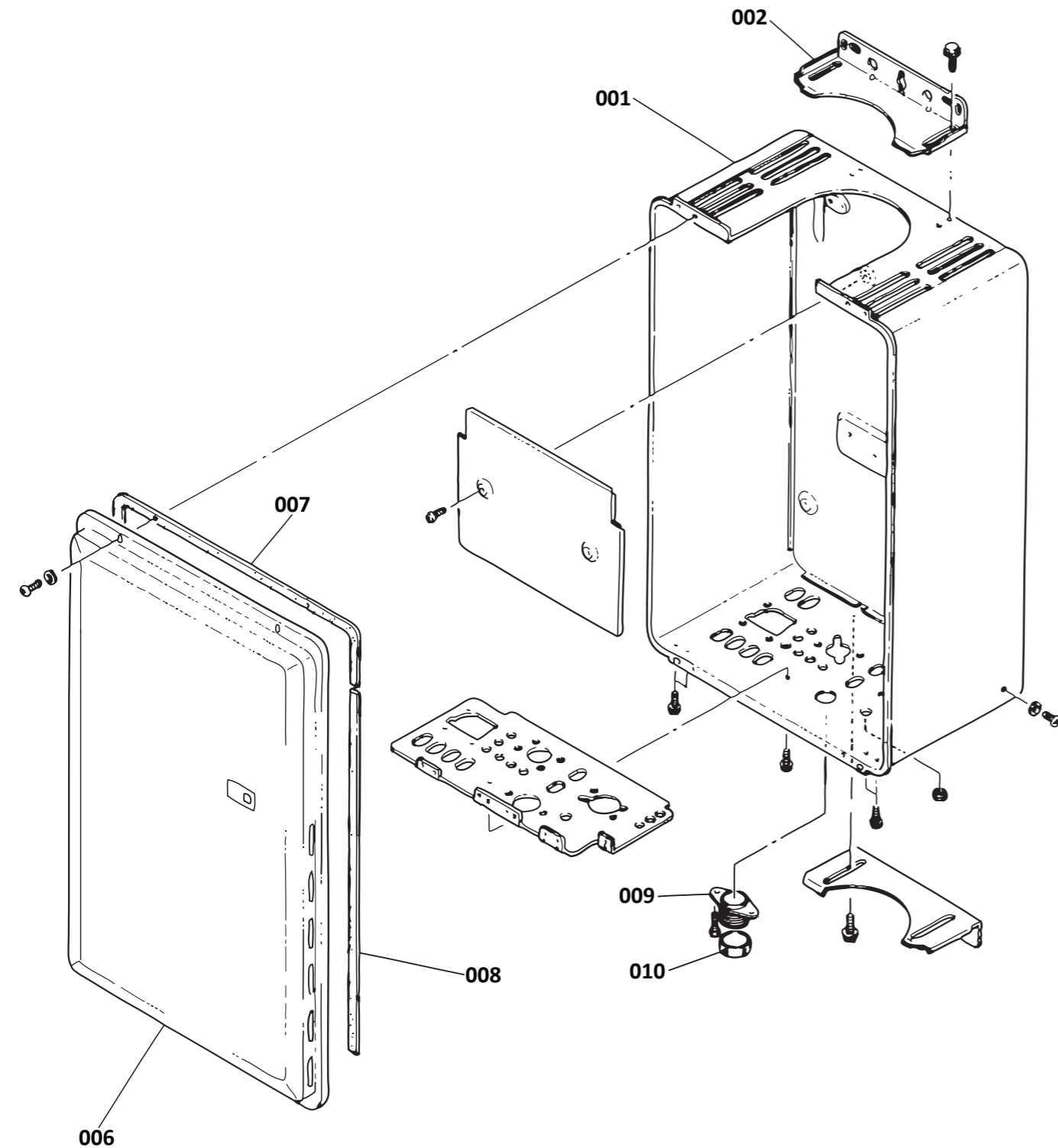
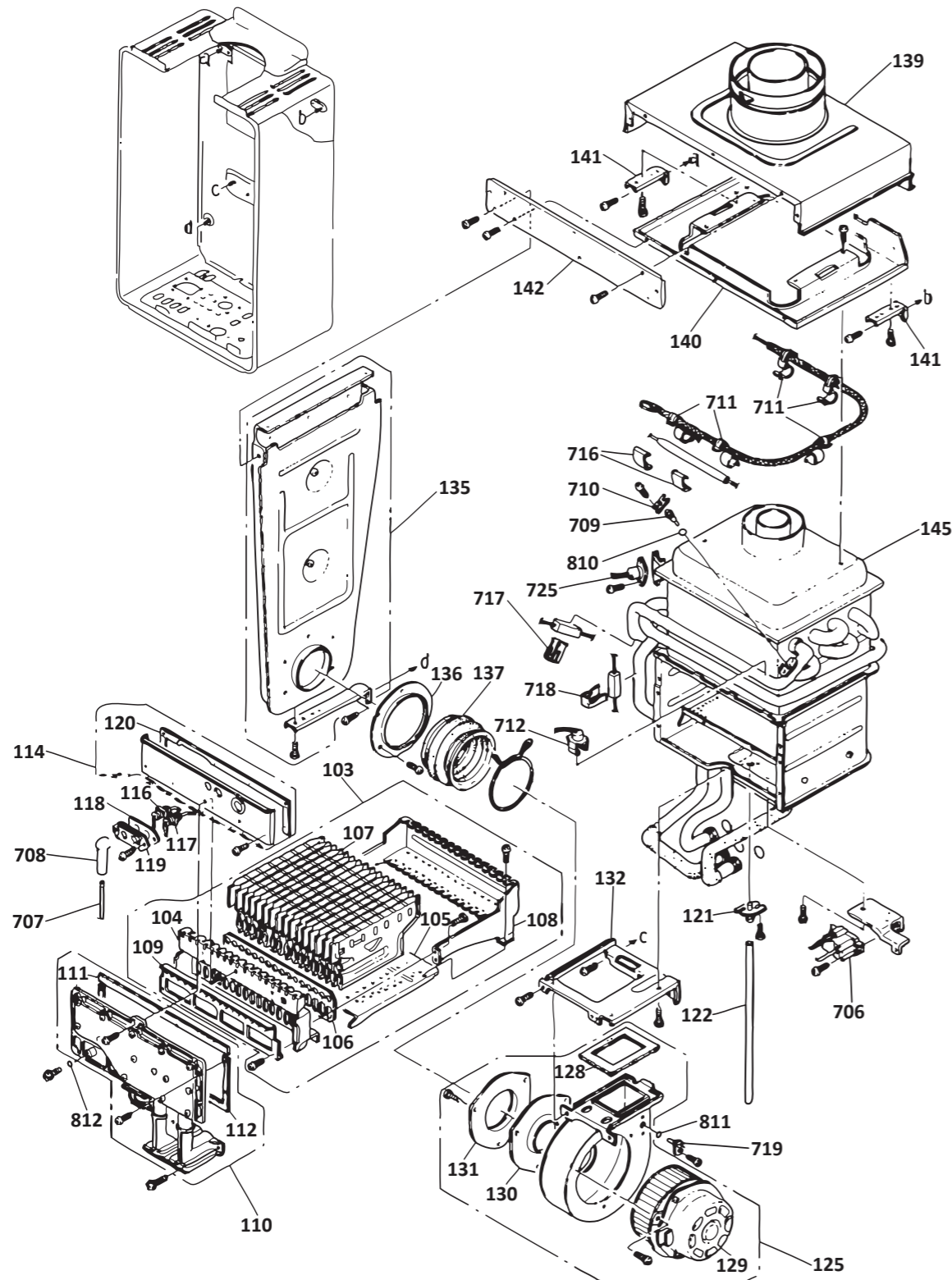


This diagram is provided to assist you to identify parts if replacement is necessary. Contact your place of purchase or the manufacturer to enquire about parts, availability and/or service.



Ref.	Description	Qty.	Part No.
001	Main body	1	3410
002	Wall fitting bracket	2	3412
006	Front panel	1	3540
007	Front panel seal	1	3418
008	Front panel side seal	2	3807
009	Cable connector	1	3896
010	Blind gasket	1	2898

This diagram is provided to assist you to identify parts if replacement is necessary. Contact your place of purchase or the manufacturer to enquire about parts, availability and/or service.



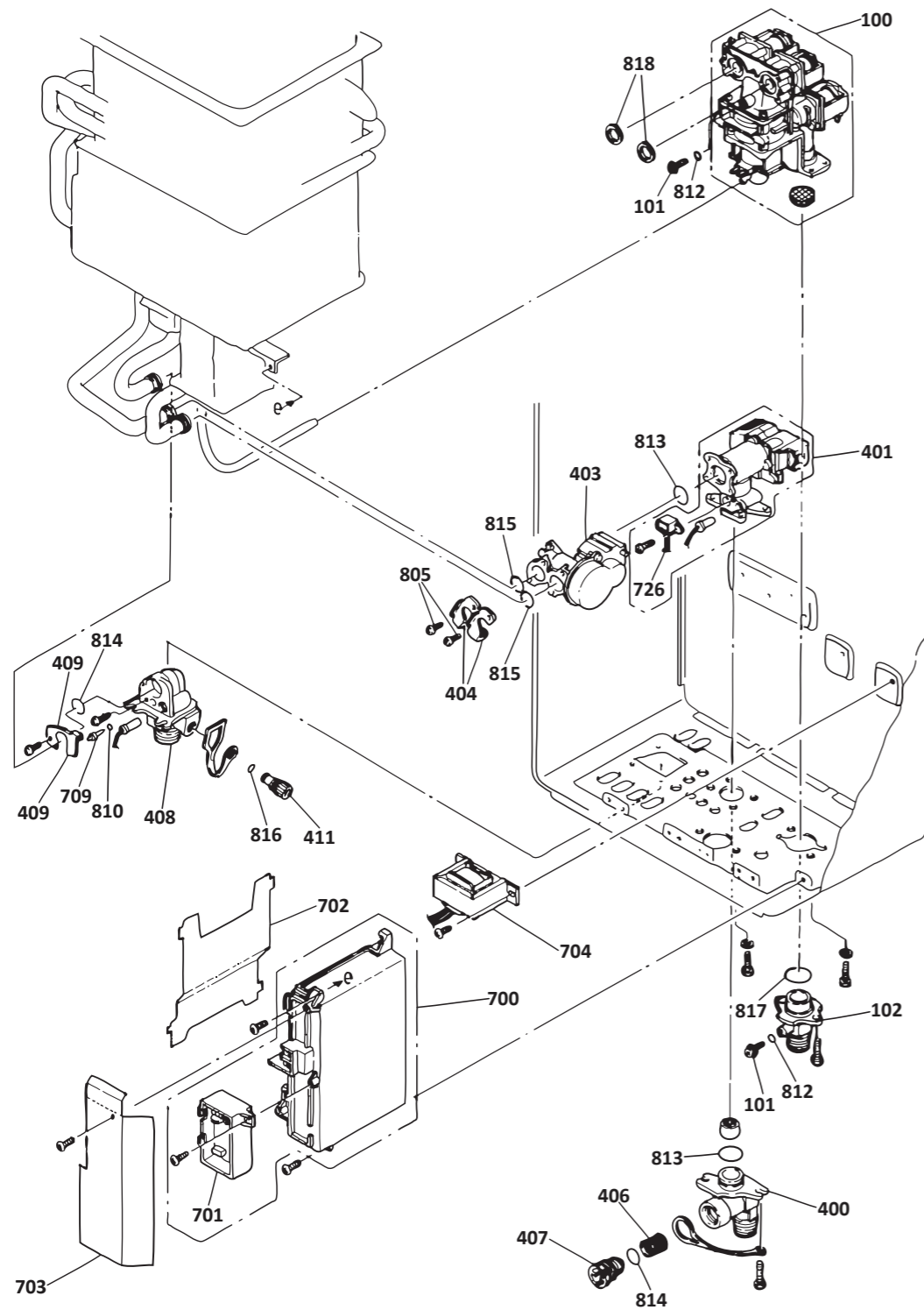
Ref.	Description	Qty.	Part No.
103	Burner assembly	1	3566
104	Burner casing front panel	1	4937
105	Burner case bottom panel	1	4938
106	Seal	1	4939
107	Burner	1	3440
108	Burner case panel	1	4940
109	Damper	1	3567
110	Manifold assembly LPG	1	3569
110	Manifold assembly NG	1	3942
111	Manifold seal	1	3589
112	Seal	1	3597
114	Comb. chamber front panel	1	4943
116	Electrode	1	3445
117	Flame rod	1	3464
118	Electrode gasket	1	3465
119	Electrode holder	1	3468
120	Seal	1	3600
121	Back pressure tube coupler	1	3604
122	Pressure tube C	1	4945
125	Fan assembly	1	4946
128	Fan housing seal	1	2669
129	Fan motor	1	3605
130	Bell mouth	1	4949
131	Joint fixing pipe	1	5215
132	Comb. chamber bracket	1	5216
135	Air inlet duct assembly	1	5217
136	Joint bracket	1	5218
137	Connecting joint	1	5219
139	Air inlet duct assembly	1	5221
140	Inner exhaust manifold	1	5222
141	Exhaust manifold frame bracket	2	5223

Ref.	Description	Qty.	Part No.
142	Inlet air box cover	1	5224
145	Heat exchanger assembly	1	3612
145	Heat exchanger tin lined assy.	1	5246
706	Sparker	1	3649
707	High tension lead	1	3651
708	Electrode sleeve	1	3475
709	Thermistor	2	3389
710	Retaining clamp	1	3882
711	Thermal fuse retaining clamp	5	3659
712	Frost sensor	1	3675
716	Fixing clamp	2	3891
717	Fixing clamp	1	3917
718	Fixing clamp	1	2032
719	Air temp. thermistor	1	3761
725	Thermal fuse assembly	1	3770
810	O-ring	2	3832
811	O-ring	1	2974
812	O-ring	3	2239



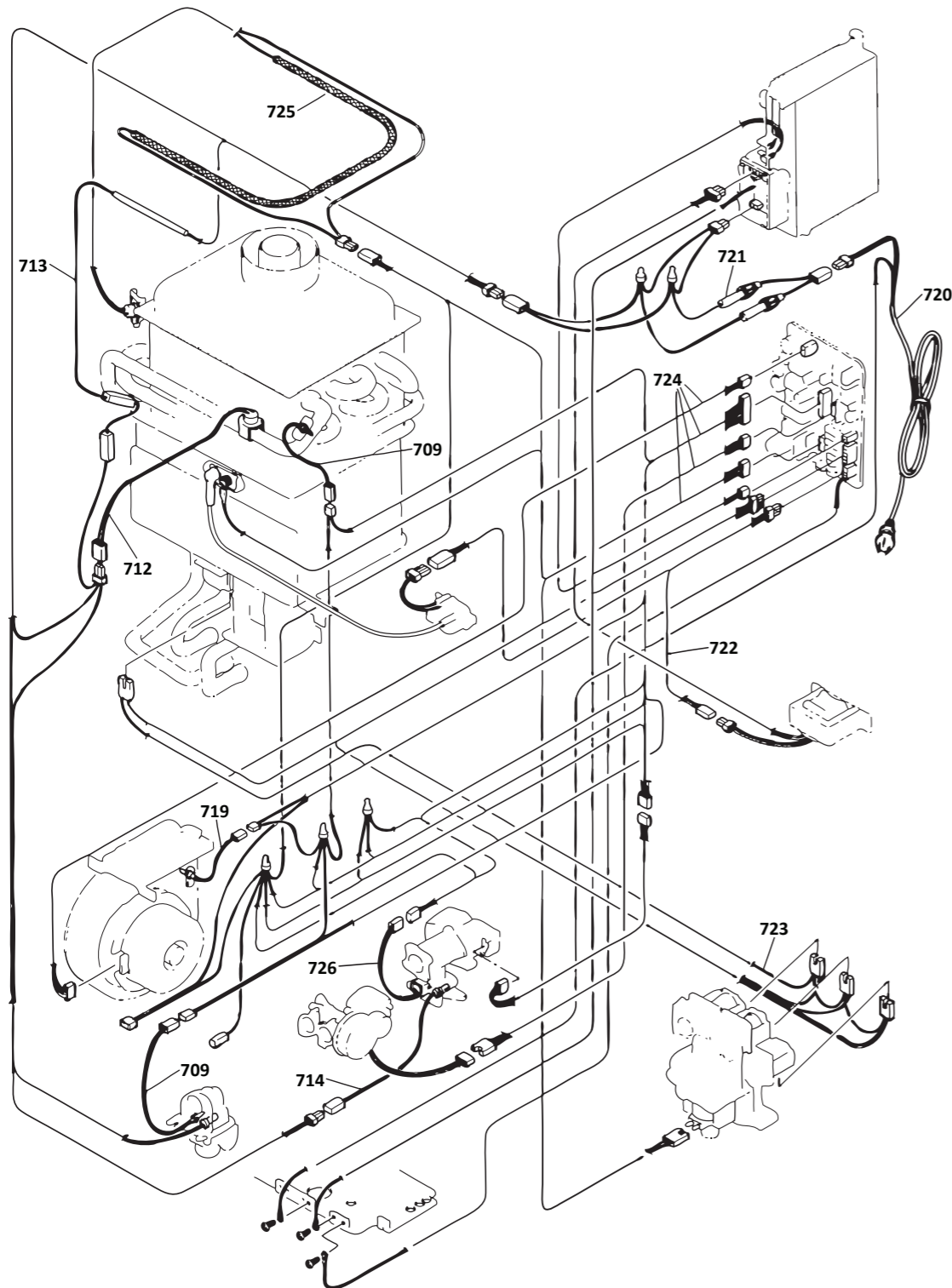
Infinity V26 (REU-V2632FFU) internal water heater

This diagram is provided to assist you to identify parts if replacement is necessary. Contact your place of purchase or the manufacturer to enquire about parts, availability and/or service.



Ref.	Description	Qty.	Part No.
100	Gas control assembly	1	3557
101	Test point screw	3	3564
102	Gas inlet	1	3074
400	Water inlet	1	3484
401	Water flow servo & sensor assembly	1	3616
403	Bypass servo assembly	1	3623
404	Pipe clamp	2	3624
406	Water filter	1	3485
407	Incoming water filter (filter + plug)	1	3839
408	Water connection	1	3625
409	Pipe clamp	1	3645
411	Drain valve	1	3491
700	PCB	1	3646
701	Surge protector	1	3647
702	PCB cover	1	Not available
703	PCB cover	1	Not available
704	Transformer	1	3648
709	Thermistor	2	3389
726	Water flow sensor harness	1	3771
810	O-ring	2	3832
812	O-ring	3	2239
813	O-ring	2	3627
814	O-ring	2	1244
815	O-ring	2	3826
816	O-ring	1	1031
817	O-ring	1	3837
818	Seal	2	3773

This diagram is provided to assist you to identify parts if replacement is necessary. Contact your place of purchase or the manufacturer to enquire about parts, availability and/or service.



Ref.	Description	Qty.	Part No.
709	Thermistor	2	3389
712	Frost sensor	1	3675
713	Anti frost heater	1	3712
714	Valve heater element	1	3721
719	Air temp. thermistor	1	3761
720	Power lead	1	3526
721	Fuse harness	1	3391
722	Transformer harness	1	3764
723	Solenoid harness	1	3765
724	Sensor harness	1	4909
725	Thermal fuse assembly	1	3770
726	Water flow sensor harness	1	3771
-	Anti frost kit	1	FROST3