

# RINNAI INBUILT STANDARD FIRE Zero Clearance Kit

## Parts List

<u>Quantity</u>	<u>Description</u>
1	Base Panel
2	Side Panel
1	Rear Panel
1	Top Panel
2	Base Support Runner
1	Base Trim (Black)
1	Decorative Surround L/H Panel (Black)
1	Decorative Surround R/H Panel (Black)
1	Decorative Surround Top Panel (Black)
18	Galvanised Pan Head Screws
2	Black Screws (plinth)
2	Black Screws (decorative surround)

## Instructions

Build Frame as per Figure 1

### Zero Clearance Box Assembly / Installation

1. Lie Base Panel on floor with return fold upwards.
2. Stand Side Panels on inside of base panel with large securing fold to the front as shown in Figure 2.
3. Slide Back Panel between Side Panels, ensuring Gas Inlet hole is in the bottom right corner.
4. Place Top Panel with large fold forward and upward with Flue Outlet to the front.
5. Box should now be stable enough to stand on its own.
6. Using galvanised self-tapping screws, secure Panels in holes provided.
7. Run gas line to appropriate position.
8. Zero Clearance Box can now be secured to framing using the small holes provided.

**NB.** DO NOT SECURE BOX BY LARGER SLOTS ON LEFT AND RIGHT.

*MARCH 1999 - RINNAI INBUILT STANDARD FIRE ZERO CLEARANCE KIT*

These slots are for securing the fire when installed

9. Insert double-lined flue 150mm outer through flue opening provided, and complete Flue installation with Flue Cowl.
10. The inner flue should penetrate the box by 50mm. This is to ensure -
  - a) any residual heat in Zero Box is ducted away up the 150mm galvanised outlet cover
  - b) when the Fire is installed, the slip collar can be lowered to connect the Fire Spigot to the Flue.

***Gib-stopping and decorating can now be carried out.***

Decorative Surround Installation

Refer Figure 4

Heater Installation

1. Attach Base Support Runners to Plinth as in Figure 2. Sit fire on Base Support Runners and slide Fire into position.
2. Unscrew and remove L/H and R/H Side Panels from fire.
3. Remove Electrical Cover Plate by loosening screws on front of Cover (refer installation book).
4. Connect gas line and test for leaks.
5. Screw Fire firmly to wall through securing holes provided.
6. Set gas pressure.
7. Replace Electrical Cover and Side Panels.
8. Operate Fire.

Figure 1

## Zero Clearance Box Framing Dimensions

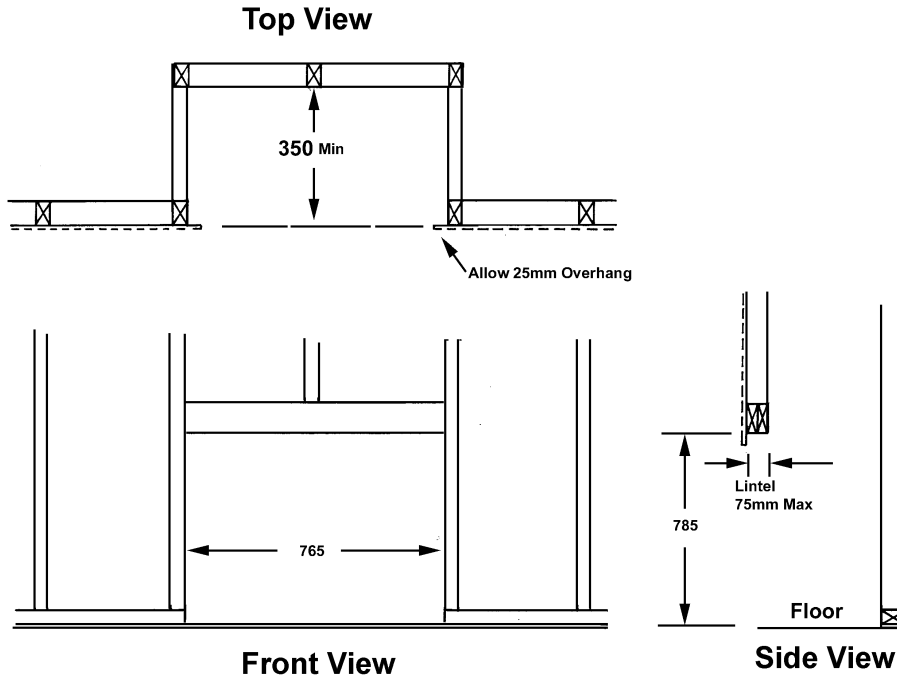
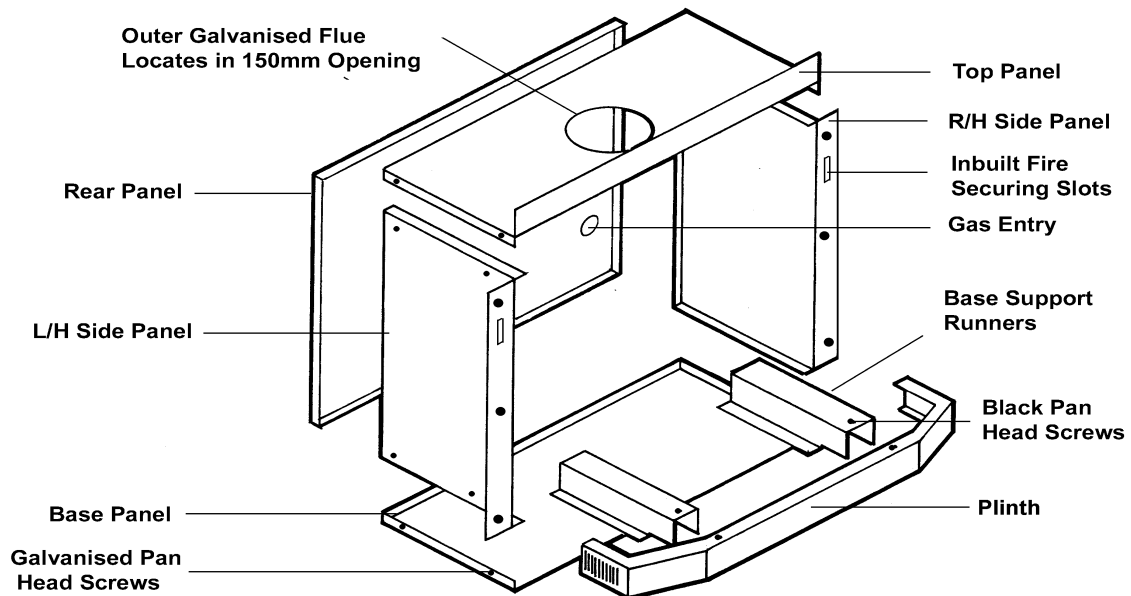


Figure 2

## Zero Clearance Box for the Inbuilt Standard



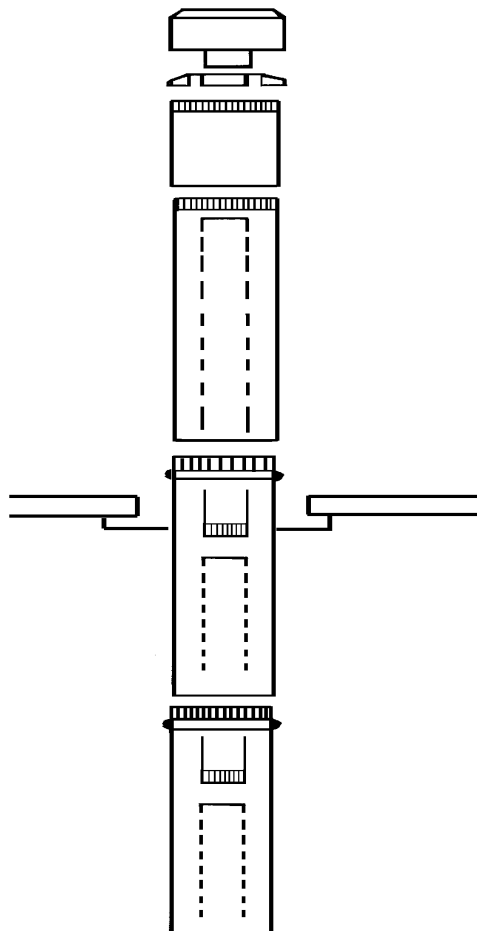
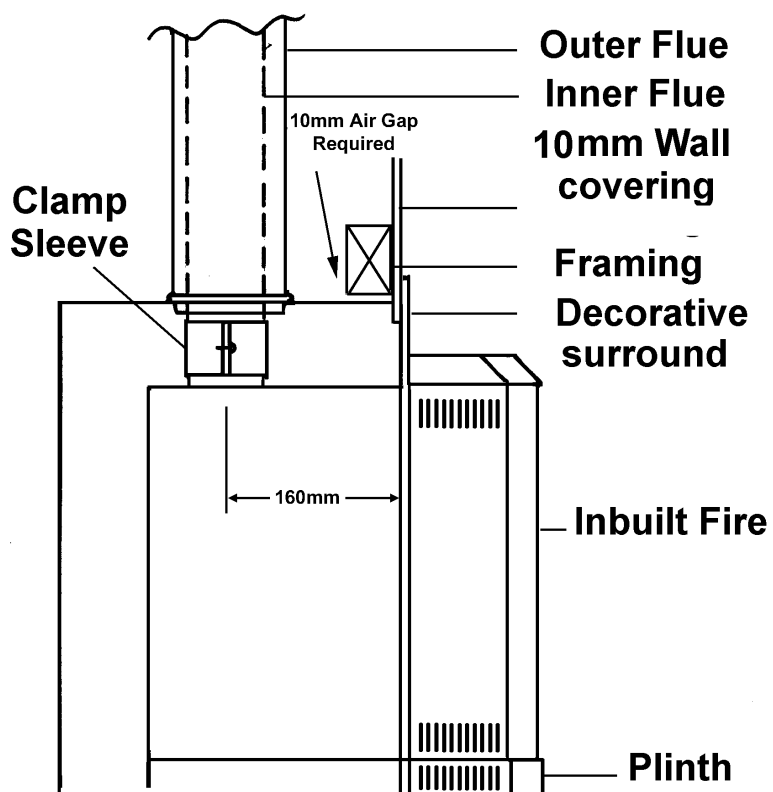


Figure 3



# RINNAI INBUILT STANDARD Zero Clearance Decorative Surround

## Assembly Instructions

### Side Panel Position

- From the centre line of fire opening, mark a point on the wall 515mm each side of this line. This defines the outside position of the two Side Panels.
- Square and level the panels.

### Securing the Surround Side Panels

- Select the securing slot in each Side Panel. **Note:** This is the *smaller slot* in each side. Screw the Side Panels to the Wall.

### Securing the Fire

- Insert fire into opening.
- Connect the Flue through the opening above the fire.
- Insert fire securing screws and screw the fire to the wall. Do not fully tighten - allow 20mm behind the fire in order to attach the Top Panel of the Surround.
- Position the Top Panel of the Surround behind the Top Panel of the fire and secure the side of the Top Panel to the Side Panel with the 2 **black** screws provided.
- Fully tighten the fire into the Surround and the wall.

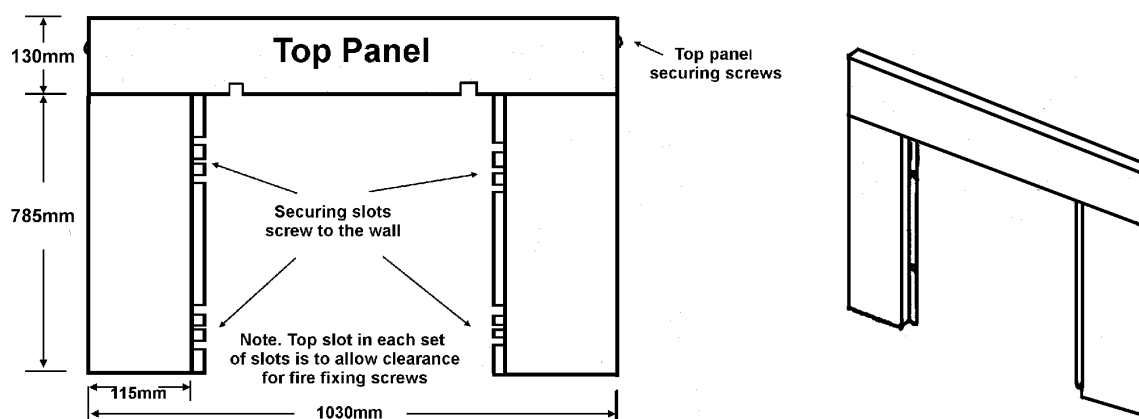


Figure 4

