

Securing flue to structure of building

The weight of the flue system should not be supported by the appliance—it should be self supporting. Supporting the flue is usually completed during the framing stage with flue supports or straps within the cavity.

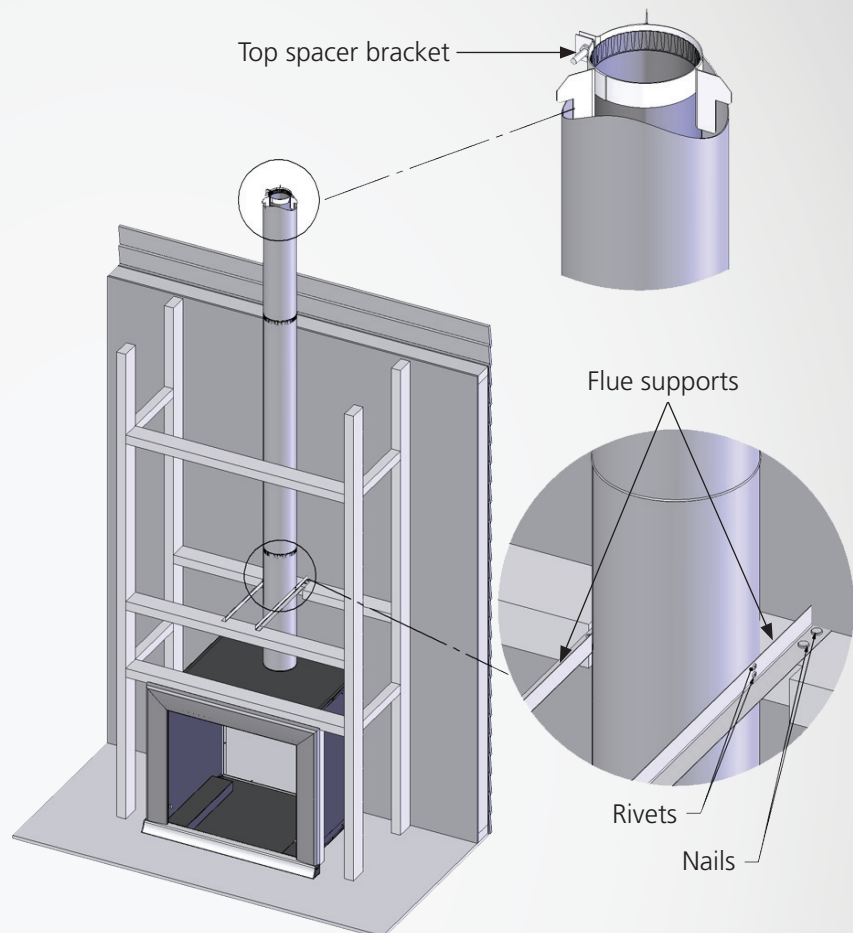
How to secure the flue

1. Build the flue from the bottom up. Typically each section of the flue has a crimped end to join tightly to the next section of flue.
2. Each joint must be fixed by at least three stainless steel rivets.
3. Once all joints are riveted together, secure the flue to the building structure via flue supports. In some instances these are provided in the flue kit. Drill and fix supports into the frame, and pop rivet into the flue.

Important

The first inner flue section should not be riveted to the zero clearance box as this needs to be able to be disconnected should there be a problem with the fire and/or flue.

4. The last section of inner flue, in most instances, is connected to the outer flue via a top spacer (also known as the spider). This connects the inner and outer flue, and flue cowl.



Inner flue - clearance to combustibles

Refer to separate installation instructions for the inner flue clearance to combustibles. Clearances will vary according to the type of fire and flue being installed.