

# RINNAI

## Reflection In-Wall ETR Control Panel

### Installation Instructions

---

#### Suitability

Reflection ETR models only.

#### Kit Contents (actual kit number - R2791)

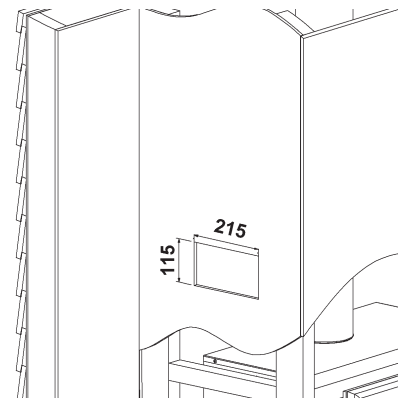
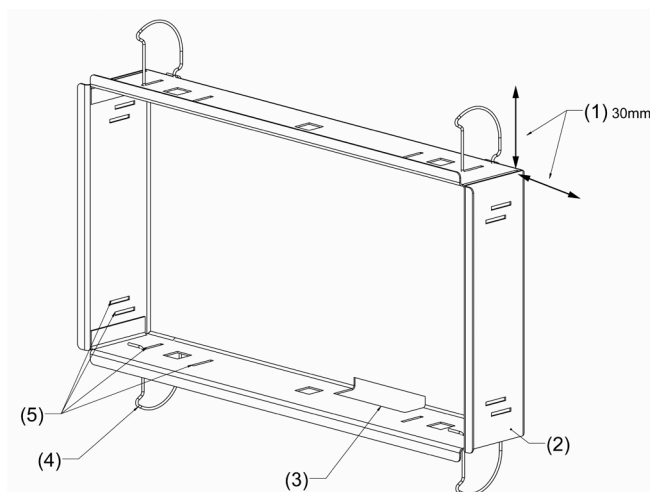
- ETR In-Wall Control Panel
  - Four springs (taped to the inside of metal housing)
  - 2m Control Harness
  - Instruction Sheet
- 

#### Installation

##### Step One

Decide on suitable location, remembering the cable must be routed back to the heater, is 2m in length (additional option of 8m can also be purchased). Choose a location 30mm clear of any obstruction (1) inside the wall, i.e. framing, pipework, cables etc.

The control cable SHOULD NOT run alongside any other electrical cabling.



##### Step Two

Mark a horizontal line on the wall, using a spirit level for the location of the bottom of the control panel. Pull the metal box (2) from the control panel assembly. Using the back of the metal box as a template, align the long side of the box with the horizontal line on the wall, and trace around the back (NOT the flange) of the metal box. This will be the minimum size of cut-out for the control panel.

##### Step Three

For plaster board cut along the traced outline using a sharp blade (i.e. Stanley Knife) first. Drill a 6mm hole in each corner of the outline. This will allow you to use a keyhole saw to cut between the holes.

**Note:** Flange thickness of the metal box is 5mm, so care is needed when cutting so as not to deviate outside the traced line.

RINNAI

# Reflection In-Wall ETR Control Panel Installation Instructions

---

Installation continued.

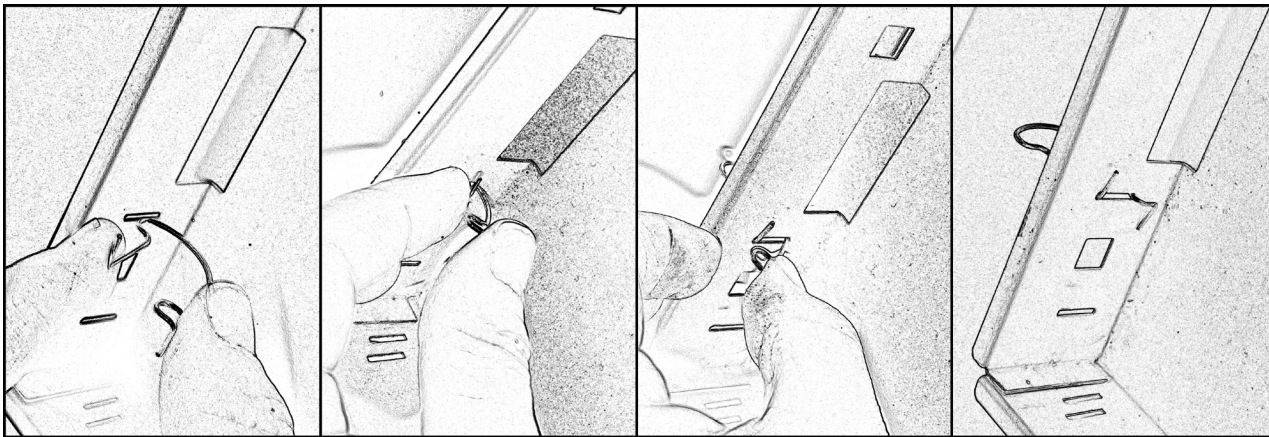
## Step Four

Before inserting the metal box into the cut-out, pull the cable through the opening provided (3) in the lower part of the metal box. Insert the metal box into the newly formed cut-out. Using the four tension clips (4) provided, post them through slots (5) to retain the metal box in the plaster board cut-out.

**Note:** A choice of slots is provided. You may choose to fit the box top and bottom or left and right. The slots are also punched at two alternate depths to allow for both 10mm and 13mm plaster board.

## Step Five

Connect the control panel to the extension cable. Feed the cable connection back through the opening in the metal box, so that it is now located in the wall cavity. The control panel can now be inserted into the metal box. A 'click' should be felt once properly located.



## Customer Contacts

---

For more information about buying, living and servicing Rinnai gas appliances call 0800 RINNAI (0800 746 624).

Rinnai New Zealand Limited  
691 Mt Albert Road  
PO Box 24068, Royal Oak, Auckland  
Email: [info@rinnai.co.nz](mailto:info@rinnai.co.nz)  
[www.rinnai.co.nz](http://www.rinnai.co.nz)

All Rinnai appliances meet or exceed the safety standards required by New Zealand gas and electrical regulations.

Rinnai is constantly improving its products and as such specifications are subject to change or variation without notice.

Instruction Number: 10979  
Issue: A