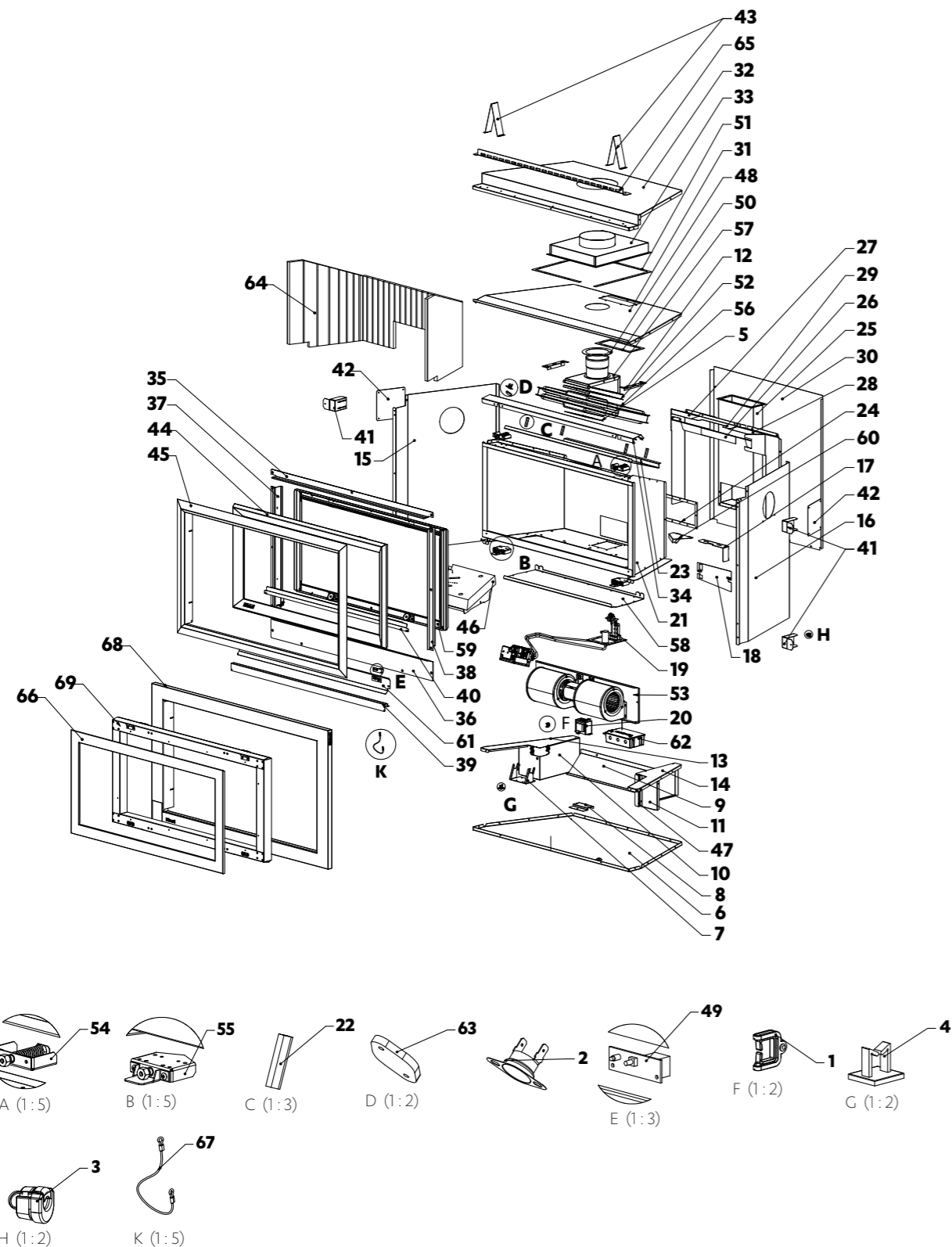


Symmetry RDV3611 gas fireplace

This diagram is provided to assist you to identify parts if replacement is necessary. Contact your place of purchase or the manufacturer to enquire about parts, availability and/or service.

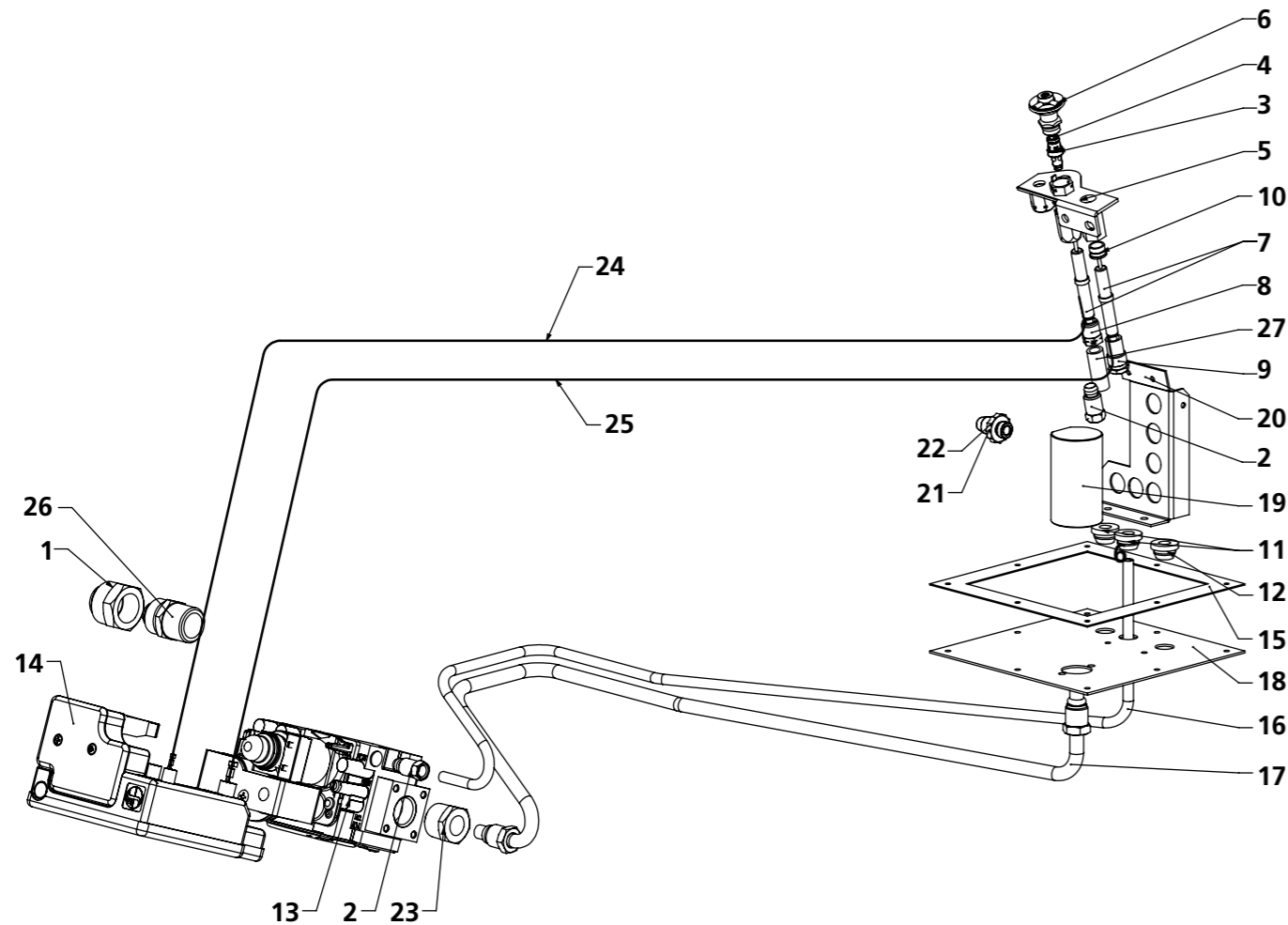


Ref.	Description	Part No.	Qty.
1	Plastic edge protector	1880	4
2	Overheat switch 150 °C	2506	1
3	Power cord holder	7845	1
4	Cable clip	10309	3
5	Gasket heat exchanger - square	10926	1
6	Panel bottom	11500	1
7	Gas control bracket SIT	11501	1
8	Transformer bracket	11503	1
9	Air guide bottom	11505	1
10	Fan bracket LH assembly	11506	1
11	Fan bracket RH	11507	1
12	Discharge hood bracket	11509	2
13	Combustion chamber side support LH	11510	1
14	Combustion chamber side support RH	11511	1
15	Panel side LH	11512	1
16	Panel side RH	11513	1
17	Pilot cover	11514	1
18	Flue restrictor	11516	1
19	Refer gas control spares list on next page	-	-
20	Transformer	11538	1
21	Combustion chamber assembly	11550	1
22	Combustion chamber top spacer	11551	4
23	Heat deflector top - black	11552F	1
24	Air duct outlet gasket	11554	1
25	Air duct assembly	11555	1
26	Heat exchanger air guide	11556	1
27	Air guide side LH	11557	1
28	Air guide side RH	11558	1
29	Air guide center	11559	1
30	Panel rear	11561	1
31	Air guide top	11563	1
32	Panel top	11564	1
33	Air intake top assembly	11565	1
34	Relief spring cover - black	11572F	1
35	Frame top - black	11737B	1
36	Frame bottom - black	11576B	1
37	Frame side LH - black	11577B	1
38	Frame side RH - black	11578B	1
39	Service panel front - galaxy	11580GL	1
40	Burner cover bracket - black	11581F	1
41	Mounting bracket	11582	4
42	Cover plate	11583	2
43	Spacer bracket top	11584	2
44	Inner frame galaxy (R3601GL)	13621GL	1

Ref.	Description	Part No.	Qty.
44	Inner frame satin chrome (R3601SC)	13621SC	1
45	Outer frame galaxy (R3601GL)	13622GL	1
45	Outer frame satin chrome (R3601SC)	13622SC	1
46	Burner assembly	11611	1
47	Fan support assembly	11624	1
48	Ceramic gasket	11625	1
49	Manual control switch RF	11628	1
50	Air duct inlet gasket	11631	1
51	Air duct inlet top gasket	11642	2
52	Flue discharge gasket	11644	1
53	Fan convection assembly	11661	1
54	Explosion relief top assembly	11662	2
55	Explosion relief bottom assembly	11663	2
56	Heat exchanger assembly	11664	1
57	Flue discharge and gasket	11665	1
58	Combustion chamber ACC cover assy.	11667	1
59	Glass and frame assembly	11668	1
60	Cover burner assembly	11669	1
61	Service panel rear assembly	11814	1
62	Control unit replacement RF	11671	1
63	Overheat switch insulation gasket	11980	1
64	Liners ceramic pinstripe	R3615	1
65	Panel top wall support	11536	1
66	Frame stainless steel flat (used in R3603)	13629	1
66	Frame galaxy black (used in R3602)	13628	1
67	Wire lanyard (for attaching frame)	12574	1
68	Frame outer flat galaxy black	13624	1
69	Frame inner flat spare satin black	13625	1
Not shown in exploded diagram			
-	Log set	11600	1
-	Wiring harness	11595	1
-	Power cord - black	6765B	1
-	Cable CAT5 (500 mm IBOF)	10631	1
-	Harness overheat switch (IBOF)	10654	1
-	Harness over heat switch (RDV3610/11)	11594	1
-	Remote control replacement RF	11674	1
-	Dress guard	R3610GL	1

Symmetry RDV3611 gas fireplace

This diagram is provided to assist you to identify parts if replacement is necessary. Contact your place of purchase or the manufacturer to enquire about parts, availability and/or service.



Ref.	Description	Part No.	Qty.
1	Nut ½ compression	5064	1
2	Olive 6 mm	7519	2
3	Injector NG	7795	1
4	Injector LPG	7873	1
5	Pilot body top convertible	7870	1
6	Pilot convertible hood 2-flame	7871	1
7	Electrode	7875	2
8	Electrode Nut (SIT)	7876	1
9	Electrode Nut ETR	7900	1
10	Spacer electrode pilot	7902	1
11	Grommet silicone Ø4	10293	2
12	Grommet silicone 2Ø1.8	10294	1
13	Gas control sigma 845 SIT	10600	1
14	Ignition pack DBC 579 SIT (no re-ignition)	12760	1
15	Gasket heat exchanger square	10926	1
16	Pilot tube	11525	1
17	Main gas tube assembly	11527	1
18	Pilot base	11529	1
19	Injector block	11530	1
20	Pilot bracket	11531	1
21	Injector 3.0 NG	11532	1
22	Injector 1.60 LPG	11535	1
23	Pipe adaptor ½ " BSPT	11589	1
24	HT lead SIT control	11596	1
25	Sensor wire SIT	11598	1
26	Flare connection ½ " BSPT-½ "BSP	11633	1
-	Electrode sheath silicone PK2	12931	1