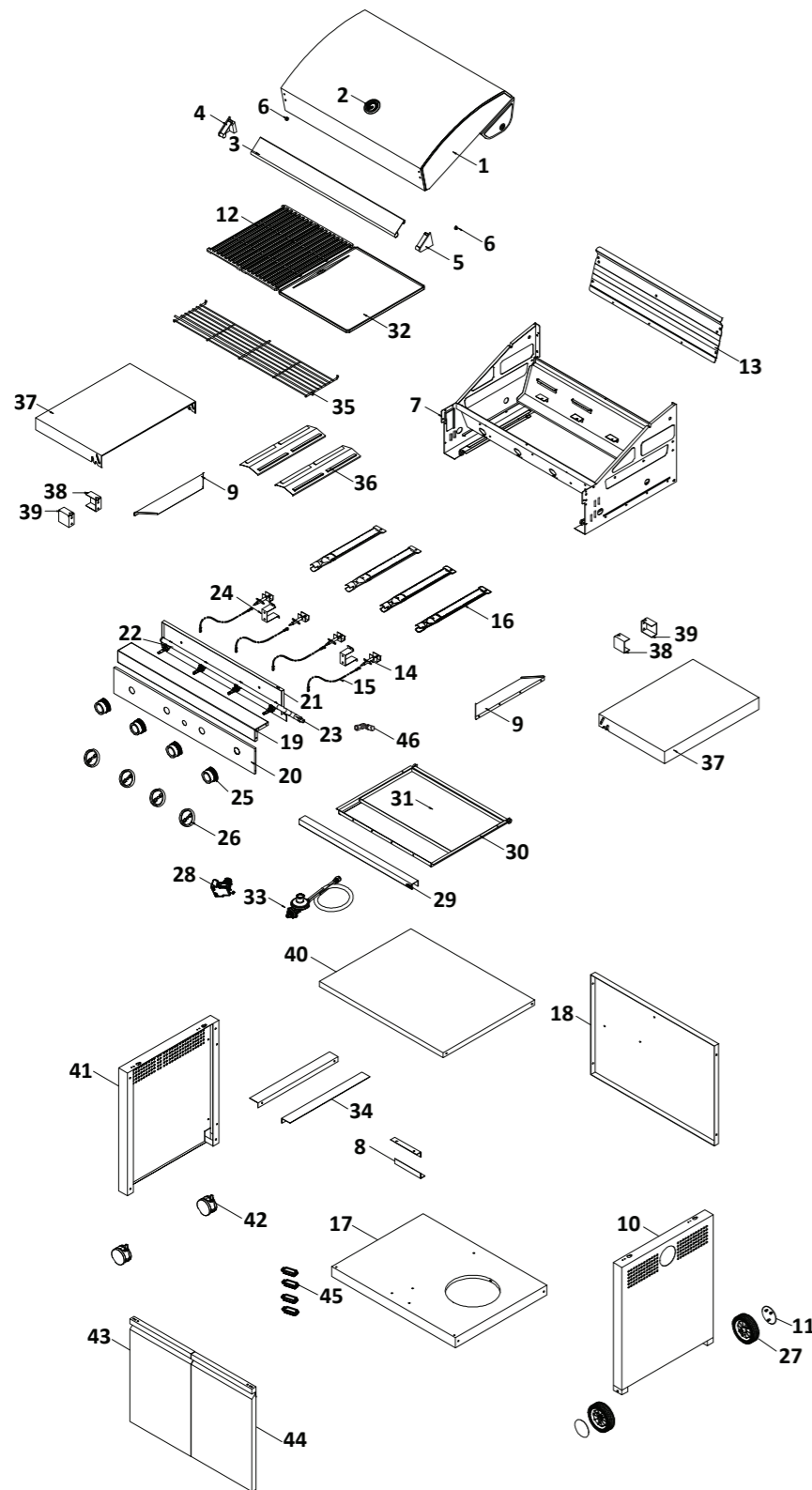




# GT4-S (GT4FDSSL) BBQ Harvey Norman exclusive

This diagram is provided to assist you to identify parts if replacement is necessary. Contact your place of purchase or the manufacturer to enquire about parts, availability and/or service.



Ref.	Description	Qty.	Part No.
1	Hood assembly	1	18728
2	Temperature gauge	1	18739
3	Hood handle	1	18731
4	Hood handle seat - left	1	18737
5	Hood handle seat - right	1	18921
6	Hood rubber pad	4	18881
7	Bowl panel set	1	18743
8	Door guide	2	18878
9	Bowl grease shield	2	18896
10	Trolley panel - right	1	18912
11	Wheel cap	2	18875
12	Grill plate	2	18799
13	Bowl wind shield	1	18748
14	Gas collector box with electrode	4	18805
15	Electric wire set	4	18807
16	Main burner	4	18803
17	Trolley panel - bottom	1	18774
18	Trolley panel - rear	1	18914
19	Upper control panel	1	18818
20	Control panel	1	18822
21	Gas valve heat shield	1	18825
22	Main valve - LPG with jet	4	18827
23	Manifold	1	18869
24	Gas valve heat shield bracket	2	18848
25	Control knob - main burner	4	18853
26	Knobe seat	4	18420
27	5 " wheel	2	18874
28	Electric ignitor	1	17633
29	Grease tray handle	1	18732
30	Grease tray bracket	1	18850
31	Grease tray	1	18811
32	Hot plate	1	18883
33	Regulator set LPG	1	18855
34	L-shape separation bracket	2	18761
35	Warming rack	1	18795

Ref.	Description	Qty.	Part No.
36	Flame tamer	2	18800
37	Side shelf	2	18780
38	Side shelf bracket RF/LR	2	18839
39	Side shelf bracket LF/RR	2	18837
40	Separation panel	1	18778
41	Trolley panel - left	1	18910
42	2.5 " caster	2	18873
43	Door - left	1	18862
44	Door - right	1	18865
45	Magnet seat	4	18452
46	Extension fitting for manifold	1	18860
-	Rinnai badge	1	9424
-	Rotisserie kit	1	18919
-	Hardware pack	1	18929
-	BBQ cover	1	ABBQ2036