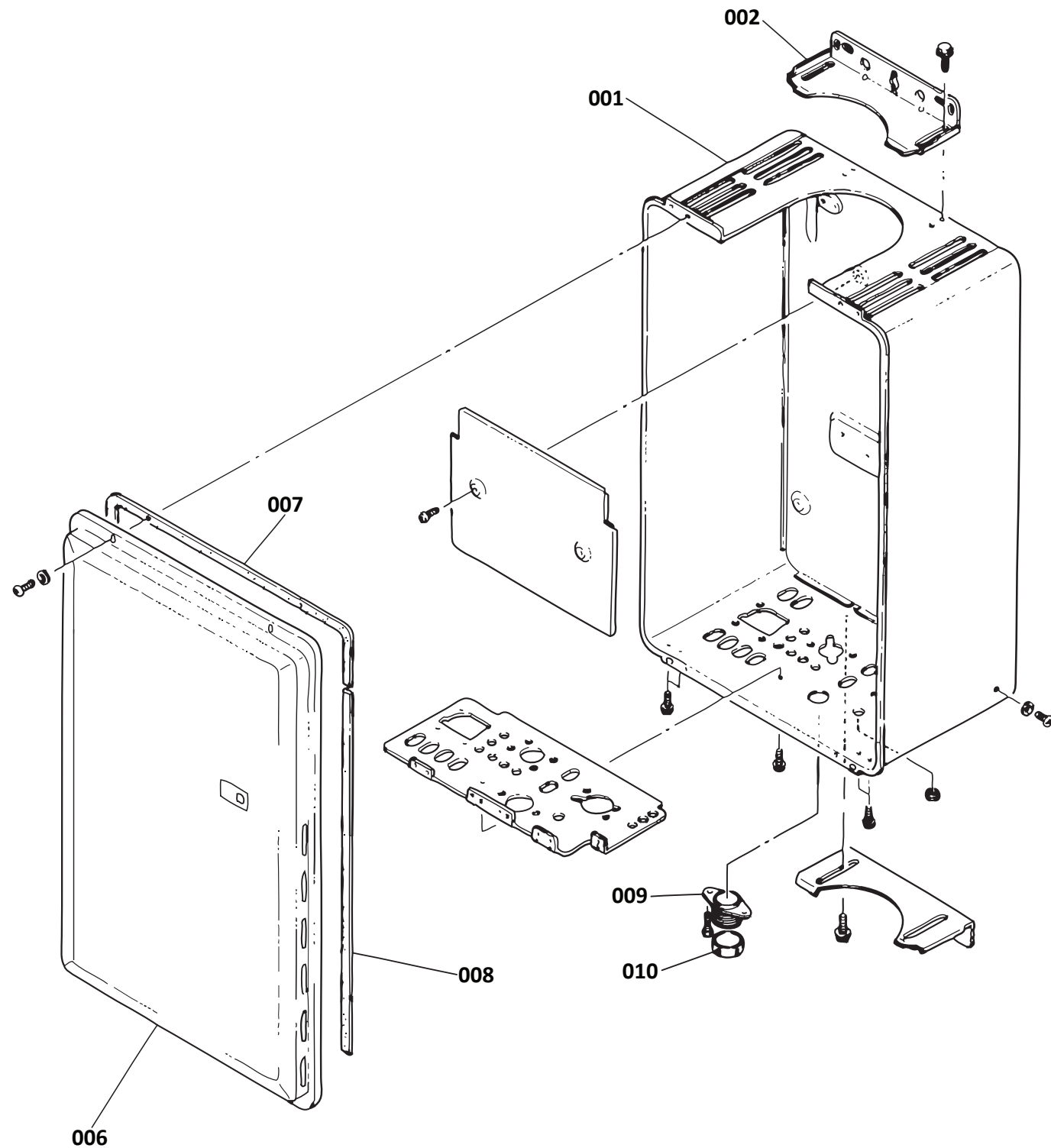
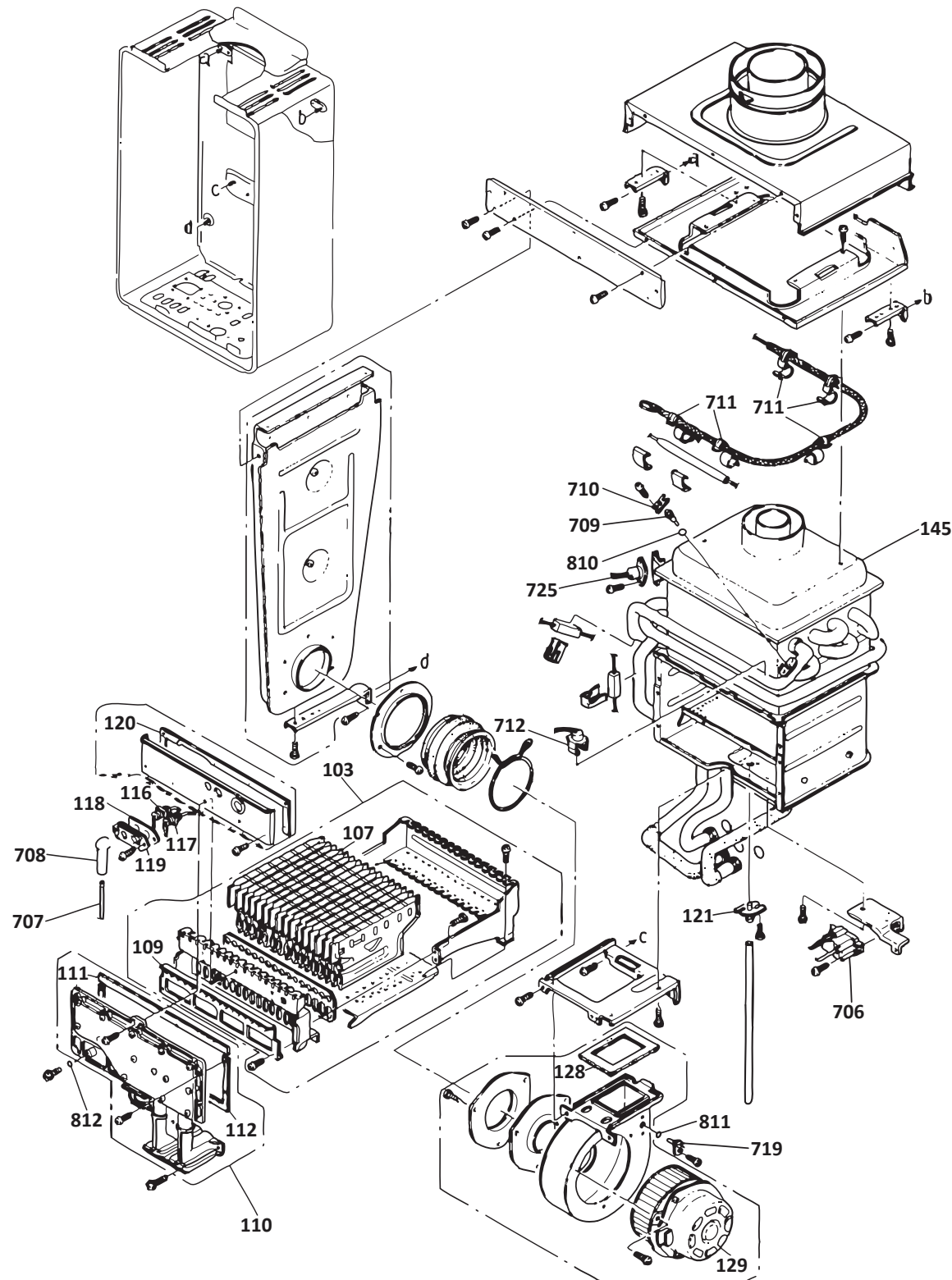


This diagram is provided to assist you to identify parts if replacement is necessary. Contact your place of purchase or the manufacturer to enquire about parts, availability and/or service.



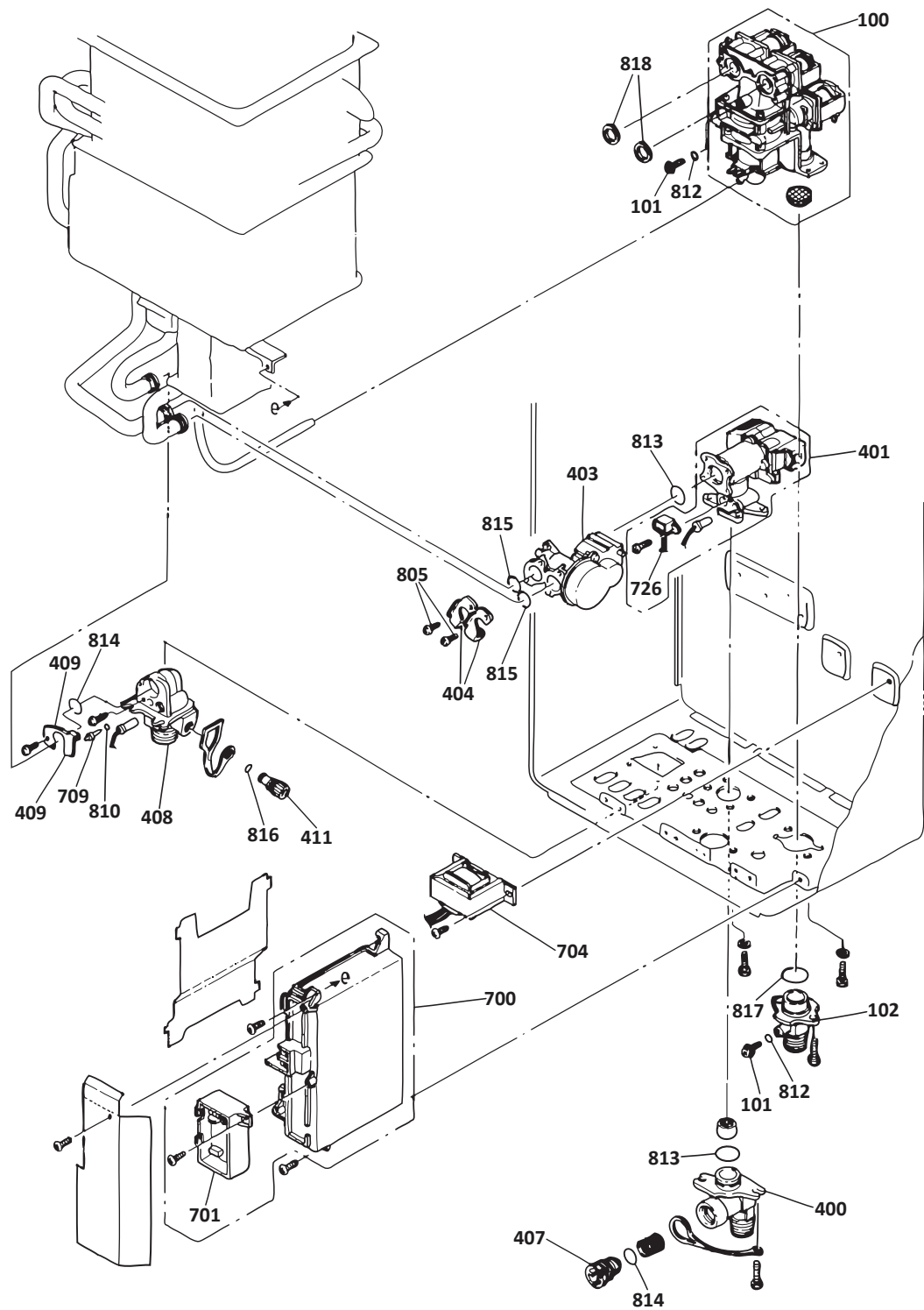
Ref.	Description	Qty.	Part No.
001	Main body	1	3411
002	Wall fitting bracket	2	3412
006	Front panel	1	3556
007	Front panel seal	1	3418
008	Front panel side seal	2	3807
009	Cable connector	1	3896
010	Blind gasket	1	2898

This diagram is provided to assist you to identify parts if replacement is necessary. Contact your place of purchase or the manufacturer to enquire about parts, availability and/or service.



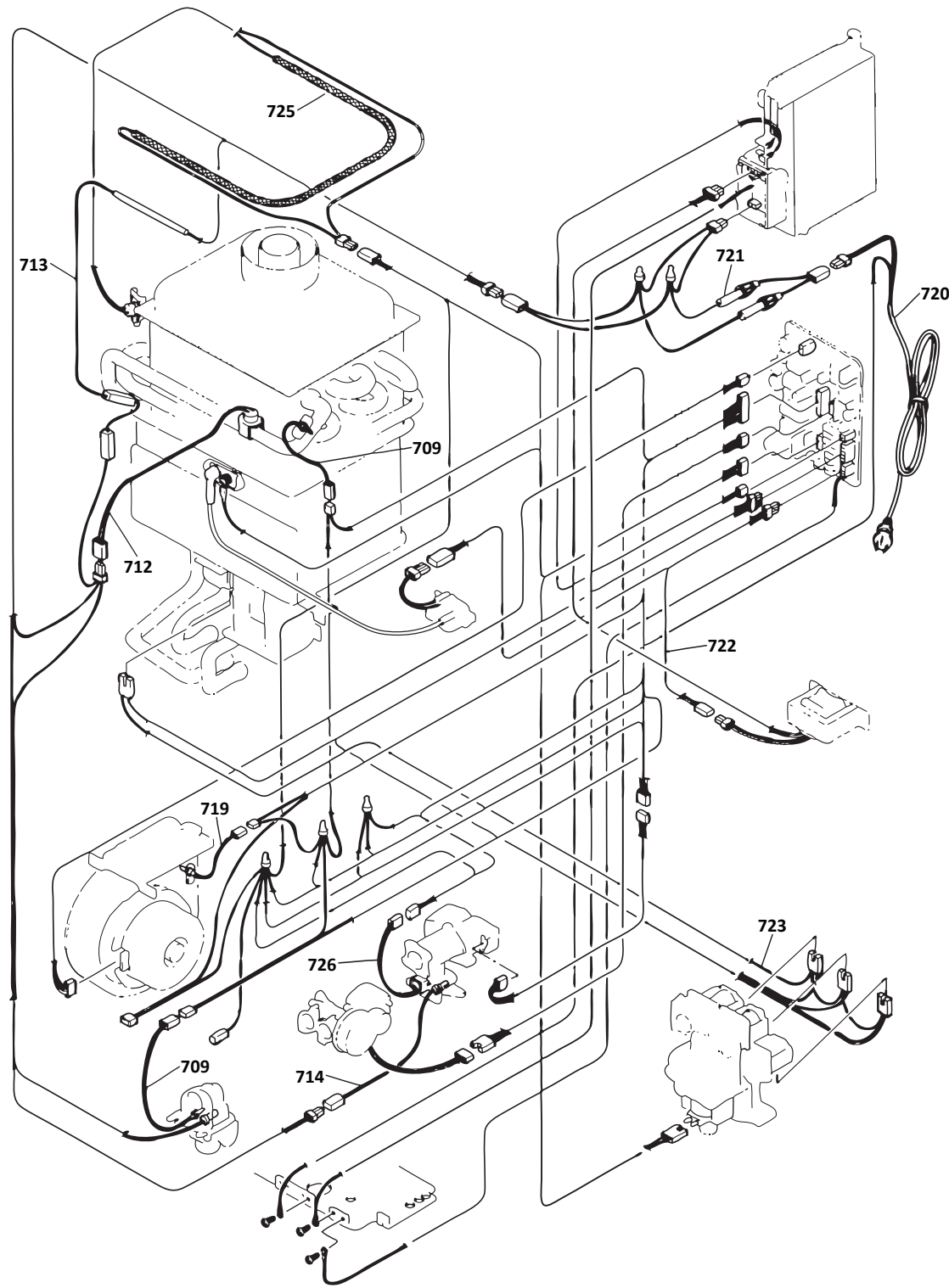
Ref.	Description	Qty.	Part No.
103	Burner assembly	1	3566
107	Burner	1	3440
109	Damper	1	3567
110	Manifold assembly LPG	1	3569
110	Manifold assembly NG	1	3942
111	Manifold seal	1	3589
112	Seal	1	3597
116	Electrode	1	3445
117	Flame rod	1	3464
118	Electrode gasket	1	3465
119	Electrode holder	1	3468
120	Seal	1	3600
121	Back pressure tube coupler	1	3604
128	Fan housing seal	1	2669
129	Fan motor	1	3605
145	Heat exchanger assembly	1	3612
145	Heat exchanger tin lined assembly	1	5246
706	Sparker	1	3649
707	High tension lead	1	3651
708	Electrode sleeve	1	3475
709	Thermistor	2	3389
710	Retaining clamp	2	3882
711	Thermal fuse retaining clamp	5	3659
712	Frost sensor switch	1	3675
719	Air temp. thermistor	1	3761
725	Thermal fuse assembly	1	3770
810	O-ring	2	3832
811	O-ring	1	2974
812	O-ring	3	2239

This diagram is provided to assist you to identify parts if replacement is necessary. Contact your place of purchase or the manufacturer to enquire about parts, availability and/or service.



Ref.	Description	Qty.	Part No.
100	Gas control assembly	1	3557
101	Test point screw	3	3564
102	Gas inlet	1	3074
400	Water inlet	1	3484
401	Water flow servo & sensor assembly - LPG	1	3620
401	Water flow servo & sensor assembly - NG	1	3616
403	Bypass servo assembly	1	3623
404	Pipe clamp	2	3645
407	Incoming water filter (filter + plug)	1	3839
408	Water connection	1	3625
409	Pipe clamp	1	3645
411	Drain valve	1	3491
700	PCB	1	3646
701	Surge protector	1	3647
704	Transformer	1	3648
709	Thermistor	2	3389
726	Water flow sensor harness	1	3771
810	O-ring	2	3832
812	O-ring	3	2239
813	O-ring	2	3627
814	O-ring	2	1244
815	O-ring	2	3826
816	O-ring	1	1031
817	O-ring	1	3837
818	Seal	2	3773

This diagram is provided to assist you to identify parts if replacement is necessary. Contact your place of purchase or the manufacturer to enquire about parts, availability and/or service.



Ref.	Description	Qty.	Part No.
709	Thermistor	2	3389
712	Frost sensor	1	3675
713	Anti frost heater	1	3712
714	Valve heater element	1	3721
719	Air temp. thermistor	1	3761
720	Power lead	1	3526
721	Fuse harness	1	3391
722	Transformer harness	1	3764
723	Solenoid harness	1	3765
724	Sensor harness	1	4909
725	Thermal fuse assembly	1	3770
726	Water flow sensor harness	1	3771
-	Anti frost kit	1	FROST3