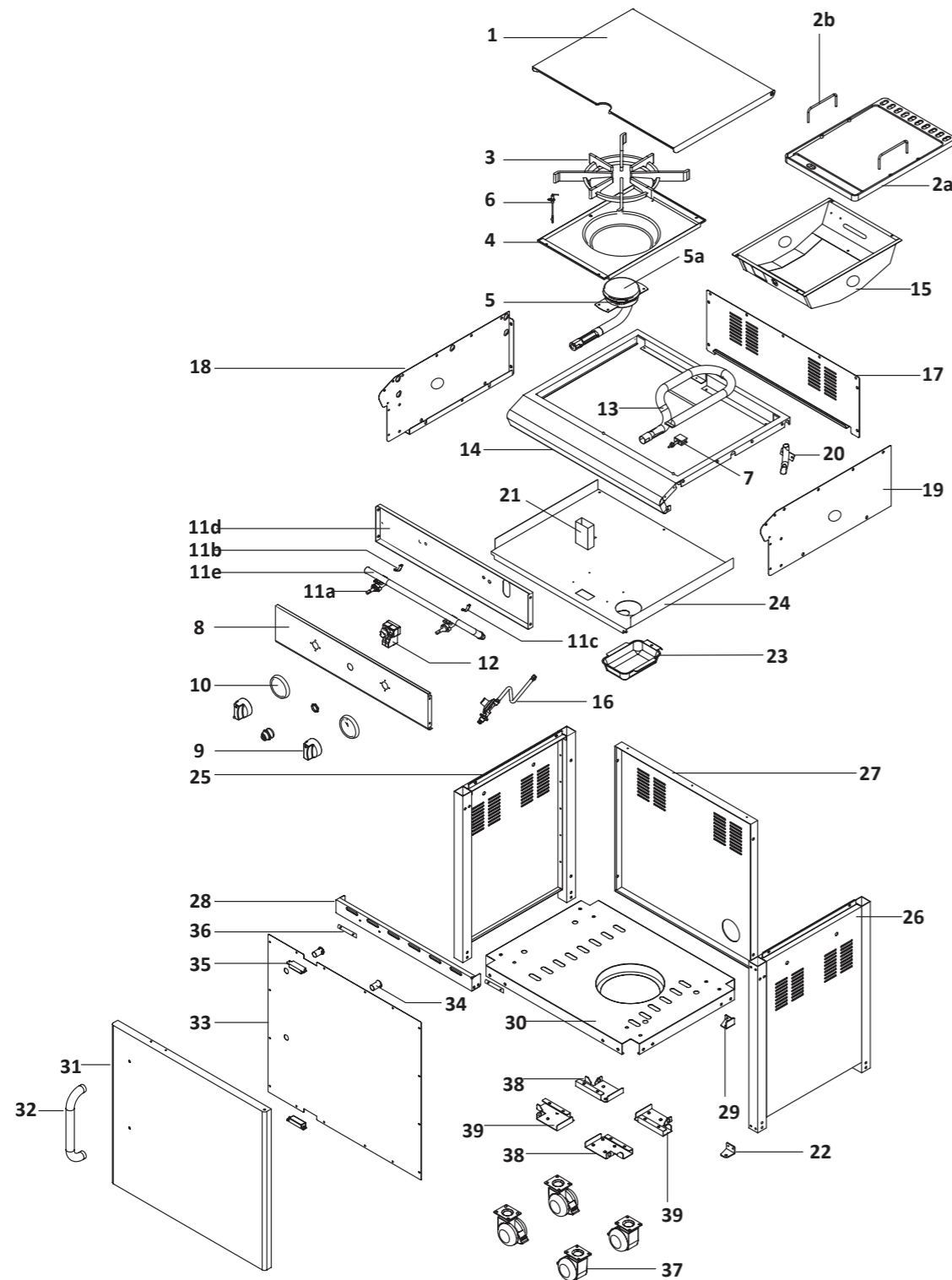




BBQ Maximiser Hot Plate (Teppanyaki unit)

This diagram is provided to assist you to identify parts if replacement is necessary. Contact your place of purchase or the manufacturer to enquire about parts, availability and/or service.



Ref.	Description	Qty.	Part No.
1	Lid	1	17554
2a	Hot plate	1	17555
2b	Hot plate handle	2	17556
3	Pot support	1	17557
4	Pot support burner frame	1	17558
5	Side burner	1	17559
5a	Pot burner cap	1	17582
6	Electrode side burner	1	17560
7	Gas collector with electrode - hot plate burner	1	17561
8	Control panel with screen print	1	17562
9	Control knob	2	17587
10	Control knob seat	2	18212
11	Gas valve assembly	1	17563
11a	Gas valve without orifice	2	17564
11b	Orifice hot plate burner	1	17565
11c	Orifice side burner	1	17566
11d	Manifold heat shield	1	17567
11e	Manifold tube	1	17568
12	Electronic ignitor 2-port	1	17342
13	Hot plate burner	1	17569
14	Bowl panel top	1	17570
15	Hot plate burner frame	1	17571
16	Regulator	1	18119
17	Bowl panel rear	1	17572
18	Bowl panel left	1	17573
19	Bowl panel right	1	17574
20	Lighting tube - manual	1	17575
21	Grease tube	1	17576
22	Door hinge bracket bottom right	1	18024
23	Grease receptacle	1	17577
24	Trolley panel top	1	17578
25	Trolley panel left	1	17544
26	Trolley panel right	1	17545
27	Trolley panel rear	1	17579

Ref.	Description	Qty.	Part No.
28	Trolley panel front	1	17580
29	Door hinge bracket top right	1	18023
30	Trolley bottom shelf	1	18010
31	Door	1	17528
32	Door handle	1	18043
33	Door trim plate	1	17550
34	Door spacer	2	18236
35	Door magnet	2	18030
36	Door stop plate	2	18233
37	Castor 3" with brake	4	18220
38	Castor seat left rear, right front	2	18223
39	Castor seat left front, right rear	2	18222
-	Hardware pack	1	17583
-	BBQ cover	1	ABBQ2032