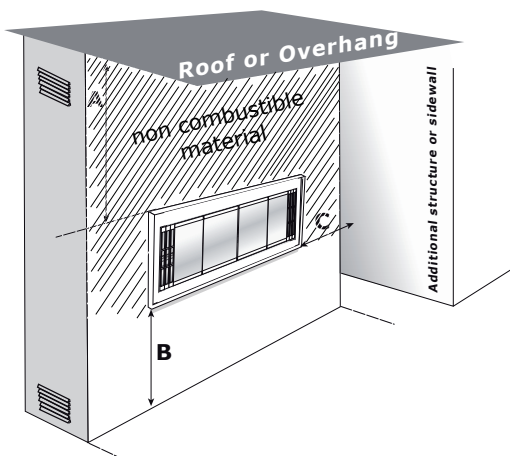


# Appliance Location

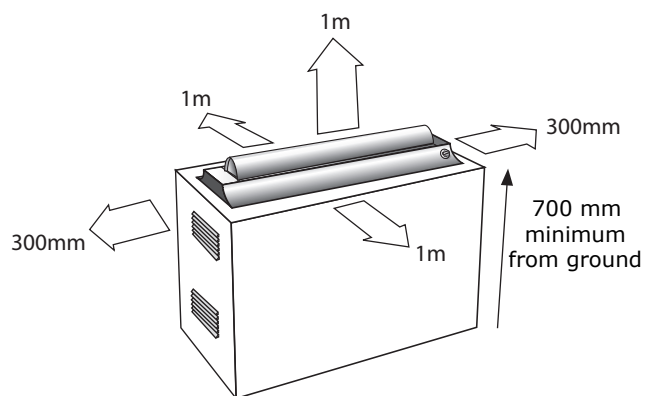
The Rinnai Impression Outdoor Fire must be installed as a permanent fixture in an outdoor area. It must not be installed into an exterior wall of a dwelling.

Considerations such as trees, neighbours, protection from direct rain and sea spray, openable windows, gas supply and clearances from combustibles will influence where you can position the appliance. Location will also be dependent on the type of unit purchased and if installing into a combustible cavity.

General clearances for inbuilt unit



General clearances for freestanding unit



| Structure                                       | Clearance Required                    | Additional Detail                                                                                                                                                                                                                                                        |
|-------------------------------------------------|---------------------------------------|--------------------------------------------------------------------------------------------------------------------------------------------------------------------------------------------------------------------------------------------------------------------------|
| Below Eaves, Balconies or other Projections (A) | 1000 mm                               | If the projection is a shade cloth or material awning then this is deemed as a combustible material and the recommended clearance is 1500 mm.                                                                                                                            |
| From the Ground or Other Surface (B)            | 100 mm cabinet<br>700 mm freestanding | Ground level to bottom of fireplace. For optimal viewing while standing or sitting it is recommended to position between 600-800 mm from the ground. If installing the cabinet option at a lower level, remember to allow enough room for the gas connection underneath. |
| Walls (C)                                       | 500 mm                                | Side of unit to side wall.                                                                                                                                                                                                                                               |
| Gas and Electricity Meters                      | 1000 mm                               |                                                                                                                                                                                                                                                                          |
| Drain or Soil Pipe                              | 150 mm                                |                                                                                                                                                                                                                                                                          |
| Openable Windows and Doors                      | 500 mm                                | From an openable window, door or non mechanical air inlet, or any other opening into a building with the exception of sub-floor ventilation.                                                                                                                             |
| Mechanical Air Inlet                            | 2000 mm                               | For example: air conditioning unit.                                                                                                                                                                                                                                      |

## Mantles or protrusions

CAN NOT be installed above the unit if any part of the surround is made of combustible material. If installing into a non combustible surround the mantle/protrusion must also be non combustible.

## 1 m safe distance for fixed objects

Fixed objects such as outdoor furniture, umbrellas and plants should be at least 1 m away from the unit when it is in operation.

## Installation specific clearances

Additional clearances also need to be observed for specific installation applications, these are detailed on pages 11 and 13.

## Ensure clearance for servicing

Ensure enough room is maintained around the appliance for servicing, cleaning and general access.