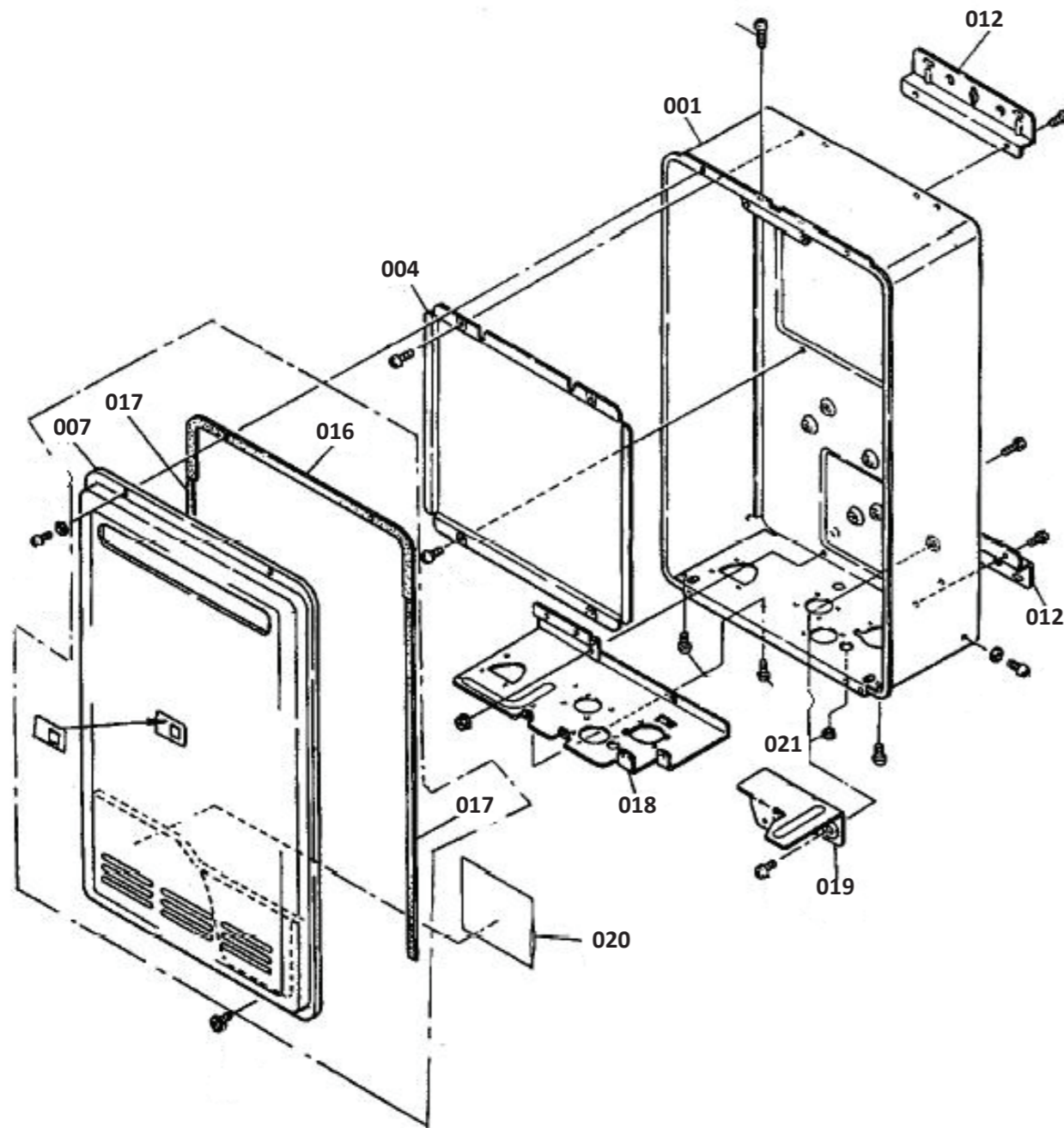


# Infinity 20 (REU-2020W) External

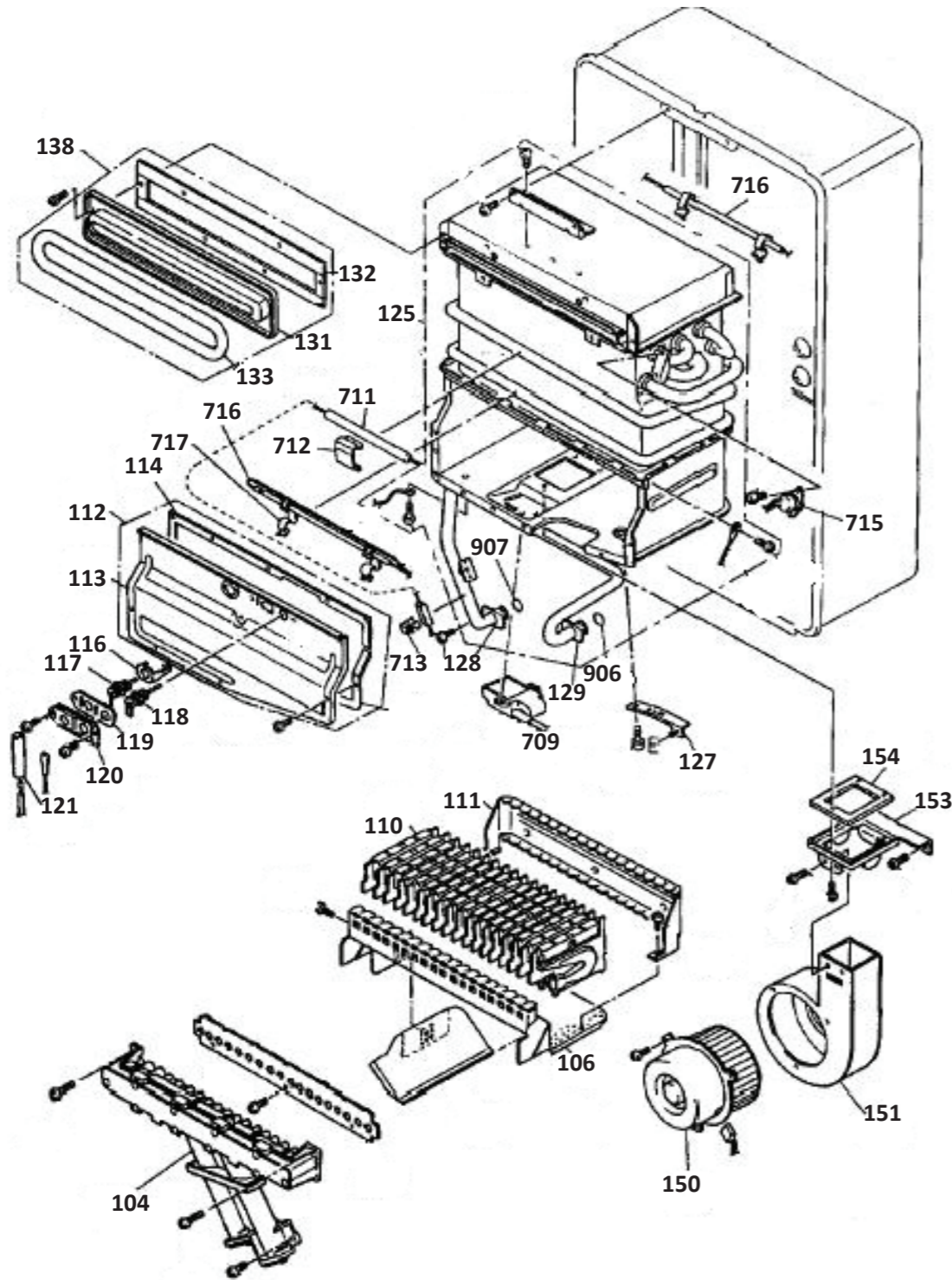
This diagram is provided to assist you to identify parts if replacement is necessary. Contact your place of purchase or the manufacturer to enquire about parts, availability and/or service.



Ref.	Description	Qty.	Part No.
001	Main body white	1	3351
004	Heat shield	1	-
007	Front panel white	1	3352
012	Wall bracket	2	3387
016	Front panel packing top	1	3418
017	Front panel packing side	2	3807
018	Wiring reinforcement panel	1	-
019	Gas control bracket	1	-
020	Storage bag	1	-
021	Screw packing	1	-

# Infinity 20 (REU-2020W) External

This diagram is provided to assist you to identify parts if replacement is necessary. Contact your place of purchase or the manufacturer to enquire about parts, availability and/or service.



Ref.	Description	Qty.	Part No.
-	Manifold LPG	1	3089
-	Manifold NG	1	3125
-	Damper LPG only	1	3136
106	Burner case front	1	-
110	Burner NG/LPG	20	3393
111	Burner box rear panel	1	-
112	Comb. chamber front panel assy	1	-
113	Combustion chamber front panel	1	-
114	Combustion chamber packing top	1	3396
115	Combustion chamber packing bottom	1	3397
116	Ignition target	1	3438
117	Electrode	1	3016
118	Flame rod	1	3018
119	Electrode packing	1	3441
120	Flame rod clip	1	3478
121	Electrode sleeve	1	3395
125	Heat exchanger	1	3347
127	PCB casing	1	-
128	Washer A	1	-
129	Washer B	1	-
131	Exhaust	1	-
132	Exhaust packing	1	3398
133	Front panel sealing A	1	3056
138	Exhaust assy	1	-
150	Fan assy	1	3348
151	Fan casing	1	-
153	Fan connections	1	-
154	Fan connection packing	1	-

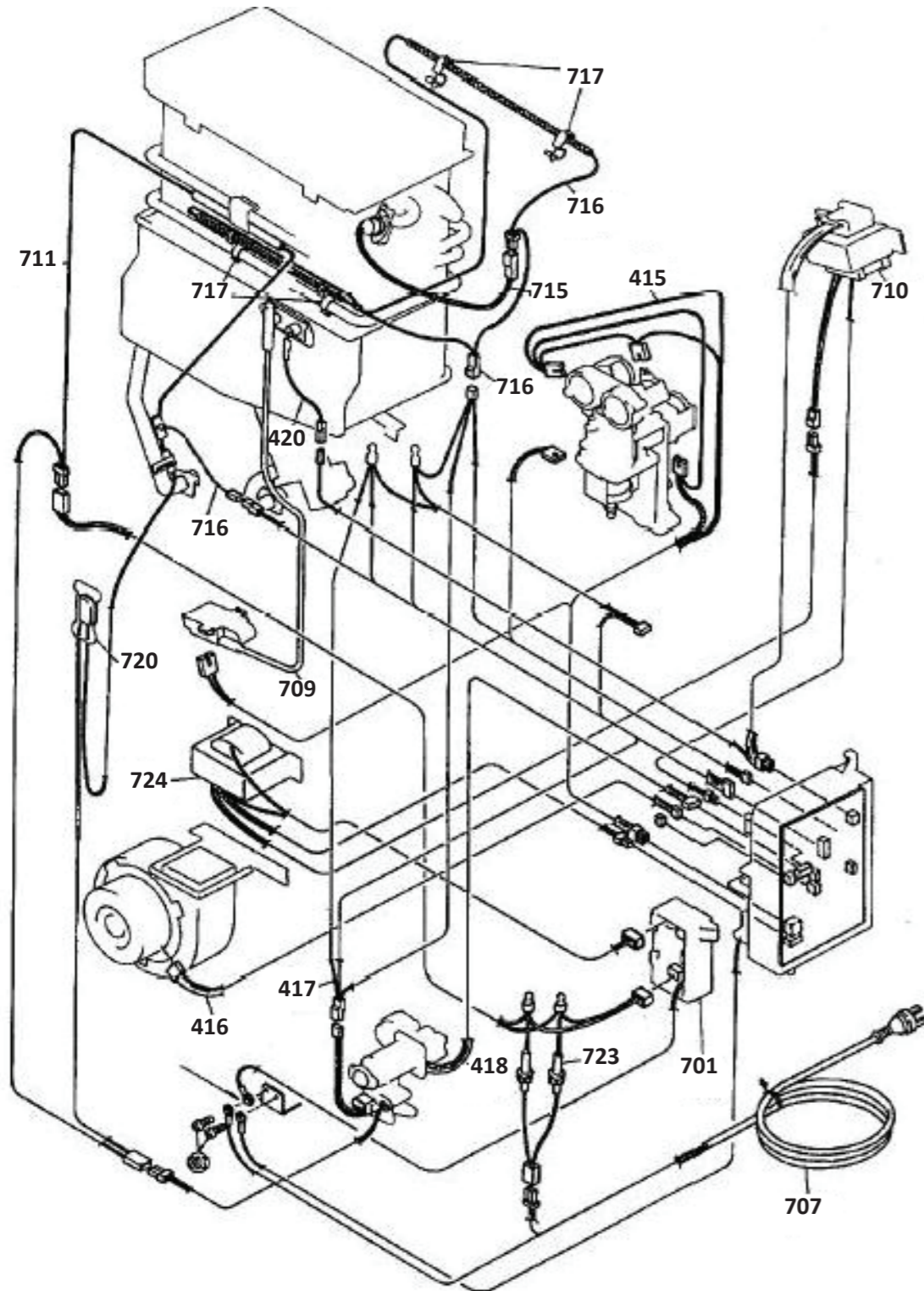
Ref.	Description	Qty.	Part No.
-	Sparker	1	1893
709	High tension cord	1	3529
711	Anti-frost heater B	1	2363
712	Heater bracket	1	2364
713	Heater bracket	1	2899
715	OHS	1	3386
716	Thermal fuse harness	1	3388
906	Heat exchanger o-ring	1	4912
907	Heat exchanger outlet bypass o-ring	1	3826





# Infinity 20 (REU-2020W) External

This diagram is provided to assist you to identify parts if replacement is necessary. Contact your place of purchase or the manufacturer to enquire about parts, availability and/or service.



Ref.	Description	Qty.	Part No.
415	Modulating solenoid harness	1	3374
416	Fan motor harness	1	3375
417	Sensor harness	1	3376
418	Water flow device harness	1	3380
420	Flame rod harness	1	3381
701	Surge protector	1	3523
707	Power cord	1	3526
709	High tension cord	1	3529
710	Sub-transformer	1	3385
711	Anti-frost heater B	1	2363
715	OHS	1	3386
716	Thermal fuse harness	1	3388
717	Fixed band	1	2869
720	Frost sensing switch	1	3358
723	Fuse harness	1	3391
724	Transformer	1	3392
-	Anti-frost kit	1	FROST