

IMPORTANT

This Zero Clearance Box is to be installed on the wooden framing *BEFORE* the plaster board lining is affixed to the framework

Please Note:

Flueing information can be found in the installation document under the following bookmarks:

- flueing
- flueing diagram
- flue kit

For zero clearance kit

AAC1781

PN 9606 ISSUE B

INSTALLATION INTO A ZERO CLEARANCE BOX IBF

This Kit is for use with the following models only:

IBFBL, IBFB, IBFSSL and IBFSSN

If the heater is to be installed into a combustible opening, an approved Rinnai Zero Clearance Kit must be used.

These instructions are for the Zero Clearance Kit only and are to be used in conjunction with the installation manual for the heater that is being installed into it.

This installation must comply with local codes, or in the absence of local codes, NZS5261

ASSEMBLY

These instructions make reference to the diagram opposite:

This kit contains:

- | | | |
|---|-------------|--|
| 1 | Top panel | |
| 1 | Base panel | |
| 2 | Side panels | |
| 1 | Back panel | |
| 2 | Rails | } Note: These parts
are supplied with the
heater |
| 1 | Plinth | |

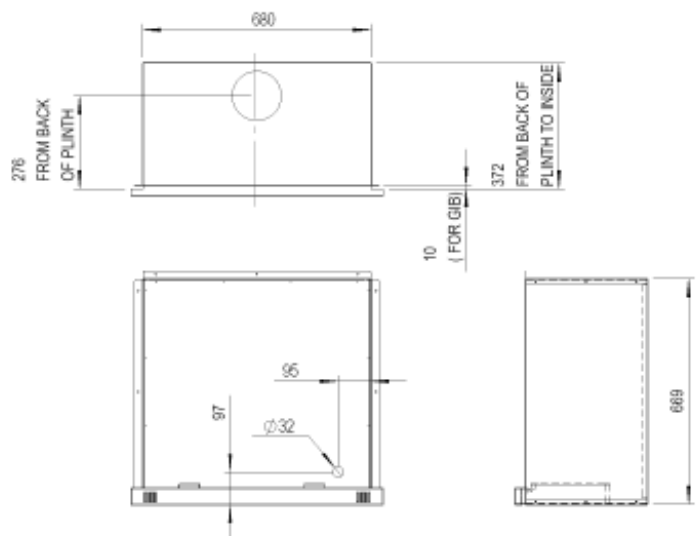
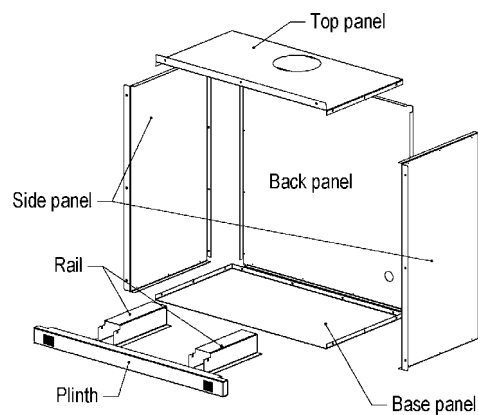
Lay base panel on the floor with return fold upwards.

Stand side panels on the inside of the base panel with securing fold to the front as shown and attach with supplied screws.

Slide back panel between the side panels. Make sure that the gas inlet hole is at the bottom right hand corner (when viewed from front). Attach.

Place the top panel, with the large fold forward and upward and the flue outlet to the rear, on top of the box and attach.

The box is now ready to be inserted into the framing.

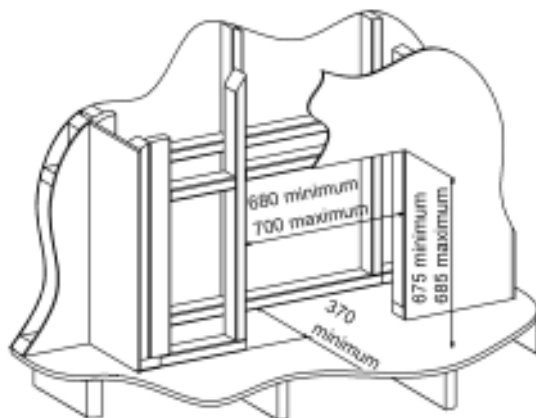


NOTE: cutting any sheet metal parts of the fireplace, in which the gas fireplace insert is to be installed is prohibited.

FRAMING

The timber frame must be built to the dimensions shown below.

Note: The wall at the back of the heater does not require a plasterboard cover but some installations may be against a wall with a plasterboard layer already attached, this does not need to be removed before the frame is built.



INSTALLATION

The Zero Clearance Box must be attached to the timber framing **before** the dry wall is applied.

Run the gas supply pipe to the appropriate position (as set out in the instruction book for heater to be installed).

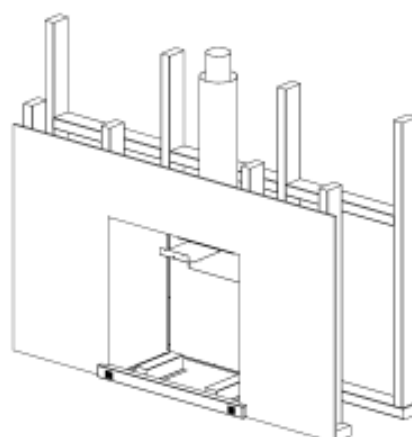
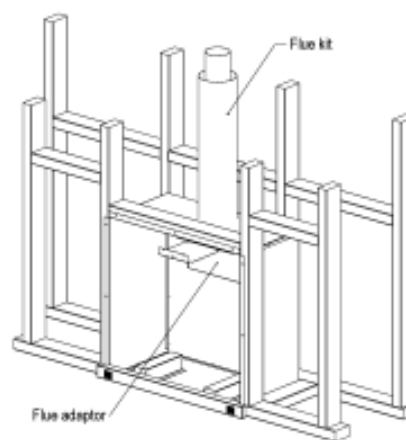
Insert the zero clearance box into the timber frame.

Attach the box to the timber using the small holes on the front flanges.

The vent system should now be attached (refer venting on next page).

The plasterboard can be installed now.

The Zero Clearance Box is now ready for the heater to be installed.



VENTING

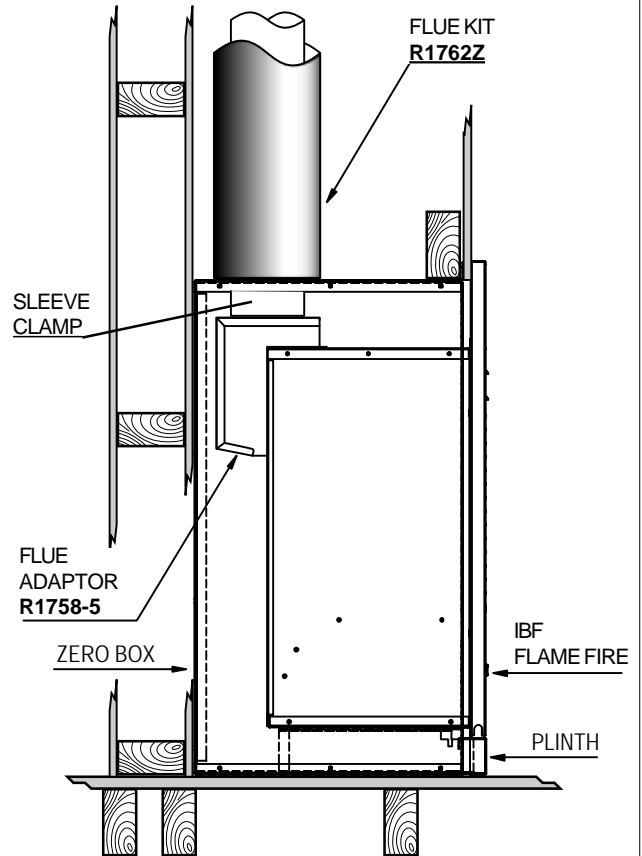
Use only an approved vent system.

Refer to the installation manual for the heater for correct venting procedure.

These instructions are not to replace local installation codes.

An approved vent system must be attached by mechanical means to the flue spigot and sealed using an approved high temperature sealant.

The outer flue is required to make sure that any residual heat in the Zero Clearance Box is ducted away and to prevent combustible materials coming into contact with the inner flue.



INSTALLING THE HEATER

Once the vent system has been installed and the plasterboard has been prepared, then the Zero Clearance Box is ready for the heater to be installed.

Place the base support runners on the floor in front of the box and place the plinth over the runners using the slots as a guide.

Place the heater on top of the runners and line up the front of the heater with the front of the plinth.

Slide the heater and plinth all the way back into the box and attach to the wall.

Continue the installation of the heater as explained in its instruction book.

Once proper operation of the heater and vent system is confirmed the front panel must be attached again.

