

Rinnai

Patio Heater

Operating and Installation Instructions

Model No PATIOSSL

**For Outdoor Use Only
LP Gas Only**

FEATURES

- Completely self contained
- High efficiency radiant plaques
- Stainless steel construction
- Battery ignition
- Safety shutdown on tip over
- 25 MJ/hr. input
- Approximately 20 hours operation from a properly filled 9 Kg cylinder

IMPORTANT

This appliance shall be installed in accordance with:

- Manufacturers Installation Instructions.
- Local Gas fitting regulations.
- Municipal Building codes.
- AGA Gas Installation Code AG601 - NZ 5261.
- Any other relevant statutory regulation.

Retain these instructions for future use

Please read these instructions fully before assembling or operating the appliance



IMPORTANT NOTES

IMPORTANT

THIS APPLIANCE SHALL NOT BE INSTALLED OR USED INDOORS.

DO NOT PLACE ARTICLES ON OR AGAINST THIS APPLIANCE.

DO NOT USE OR STORE FLAMMABLE MATERIALS NEAR THIS APPLIANCE

DO NOT SPRAY AEROSOLS IN THE VICINITY OF THIS APPLIANCE WHILE IT IS IN OPERATION

CHILDREN AND ADULTS SHOULD BE ALERTED TO THE HAZARDS OF HIGH SURFACE TEMPERATURES

This appliance is not intended for use by young children or the infirm without supervision.

Any materials or objects that are stored near this appliance when it is in operation may be subjected to radiant heat and could sustain damage.

The gas supply hose is to be inspected for damage before each use. Care must also be taken not to damage the gas hose when assembling the appliance and when fitting or removing the gas bottle and bottle cover.

In the event of damage being evident (cracks, tears, abrasion etc.), the hose must be replaced immediately by an authorised repairer.

Care must be taken to ensure that the minimum clearances shown on page 3 are maintained.

This appliance should be serviced by a qualified person on an annual basis.

All external covers are made from stainless steel that will not rust but should be cleaned regularly, especially if in a coastal environment.

Stainless steel should be cleaned using warm water and a mild detergent. CAUTION: Never use products containing abrasive liquid cleaners etc.

This appliance should be stored out of the weather if not intended for use for long periods of time.

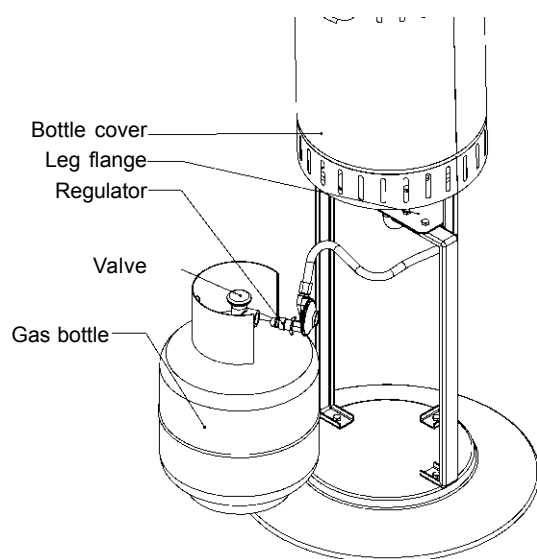
To avoid damage to this appliance, the battery should be removed when not being used for long periods of time.

OPERATION

After the heater is properly assembled and all gas connections to the regulator have been tested for gas tightness (*Refer page 9, To test for gas tightness.*), the heater is ready for operation.

Connecting gas bottle:

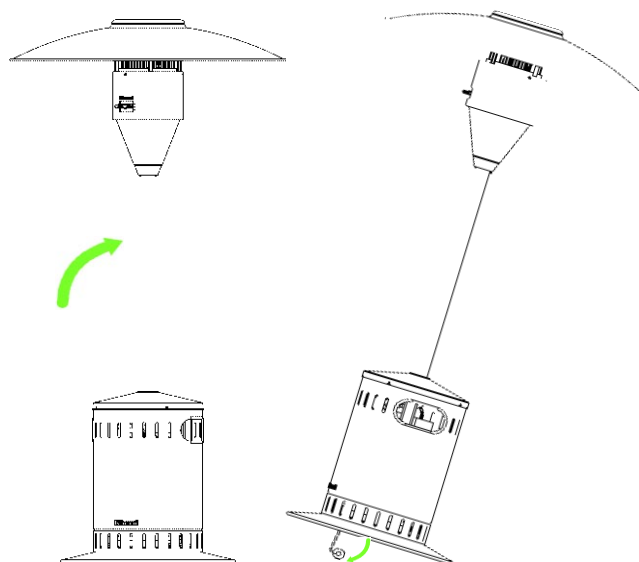
- 1 Slide the bottle cover up until it is clear of the leg assembly and rests on top of legs so that it will not fall down while you are installing the bottle.
- 2 **ALWAYS CHECK THE GAS SUPPLY HOSE FOR DAMAGE BEFORE PROCEEDING AND HAVE THE HOSE REPLACED IF THERE ARE ANY CRACKS, HOLES, ABRASION MARKS OR SIGNS OF PERISHING.**
- 3 Attach the regulator to the bottle **NOTE:** the thread on the regulator tightens by turning counter-clockwise.
- 4 Fully open the valve on the gas bottle and check the connection for leaks as described in the assembly instructions.
- 5 Replace the bottle cover so that it is resting completely on the base, taking care not to trap the gas supply hose against the legs.



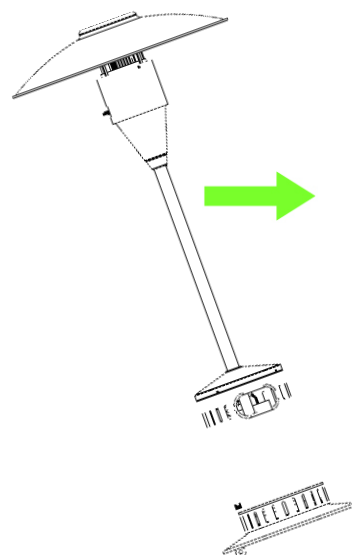
IMPORTANT: YOU MUST TEST THIS CONNECTION FOR GAS TIGHTNESS BEFORE OPERATING THE HEATER.
Refer page 9, To test for gas tightness.

Moving the heater

- 1 With the controls facing towards you, tip the heater backwards.



- 2 Fold the wheels outwards as shown and lower the lifted edge onto the wheels.
- 3 Tip the heater back in the opposite direction until the heater is balanced and move to desired location.



- 4 To retract the wheels simply push the heater backwards again until the wheels are hanging straight down and stand the heater back up (the wheels should fold away without any further assistance).
- 5 **NOTE:** The heater will not light unless the wheels are retracted

OPERATION CONTINUED

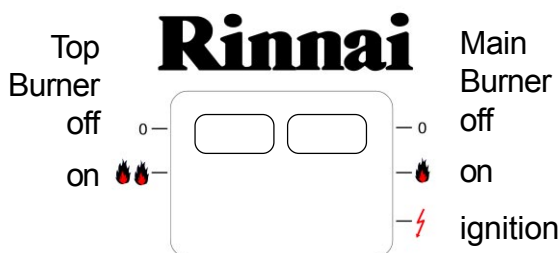
Lighting the heater

Once the heater is properly assembled and has been checked for leaks, it is ready for operation. (Refer page 9, To test for gas tightness.)

- 1 Place the heater outdoors and ensure that the minimum clearances to combustibles are met. (See pages 5 and 6, for definition of outdoor area)
- 2 Make sure the heater is sitting on a firm flat surface with the wheels retracted and all the guards are in place, with the bottle cover sitting on the base. NOTE: The heater will not start if it is not standing straight up.
- 3 Check that both control knobs are in the off (0) position.
- 4 Fully open the valve on the gas bottle.
- 5 Press and hold the ignition (right hand) knob down to the ignition symbol. You should hear a ticking noise from the spark ignition. If there is no sound then check that the battery is properly installed and has a charge.
- 6 When the main burner has ignited then hold the knob down for a further 15 seconds to maintain ignition.
- 7 Once ignition has been established the second control knob can be used to control the top burner
- 8 If the burner fails to ignite or stay alight then wait at least 5 minutes before trying again.

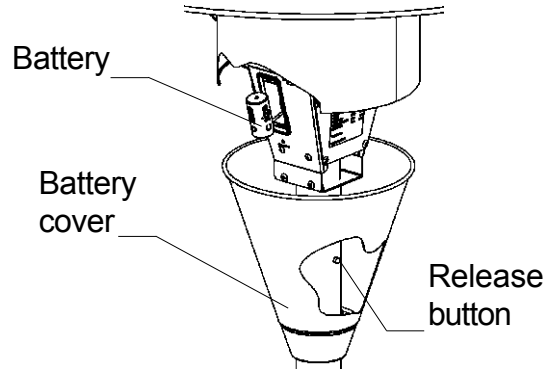
Shutting down the heater

- 1 To turn the heater off, close the valve on the gas bottle.
- 2 Once the flame has extinguished, set both control knobs to the off position.



Changing the battery

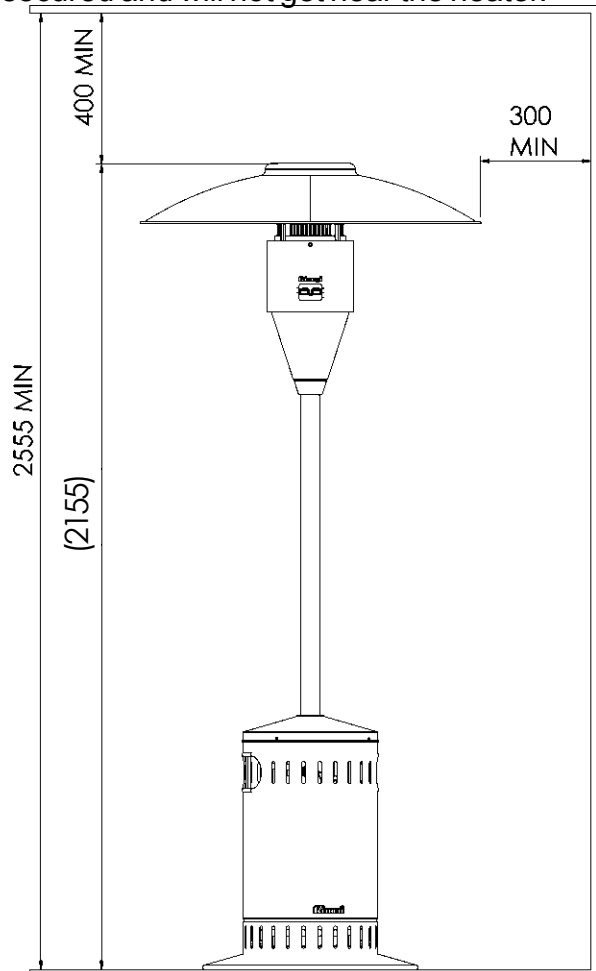
Press the release button on the back of the pole and slide the battery cover down to allow access to the battery. Replace using a C size battery only.



Minimum clearances

This appliance must not be operated unless the following distances are maintained between the heater and any combustible material

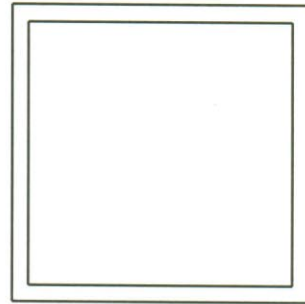
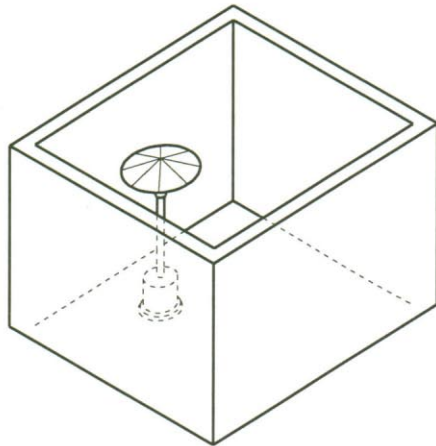
Ensure that any curtains or shade cloths etc. are secured and will not get near the heater.



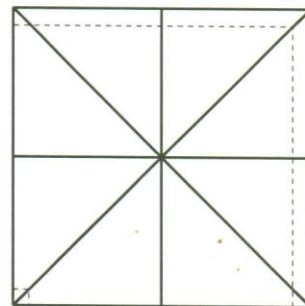
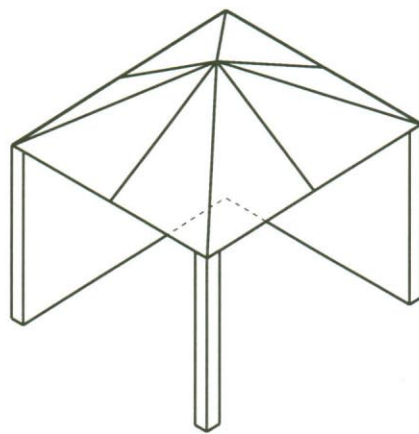
OUTDOOR AREA

Definition of an outdoor area

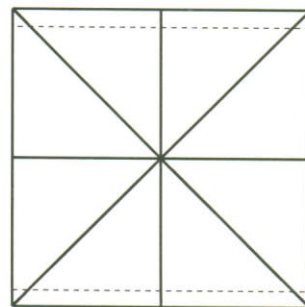
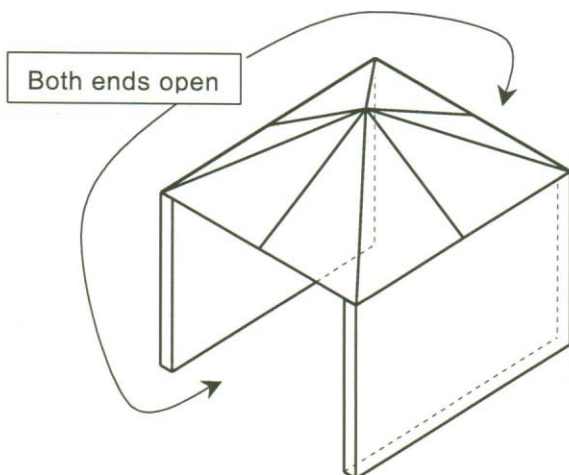
The following diagrams show the definition of an outdoor area (as described in AG405). This appliance must not be operated in a confined space that does not meet these requirements.



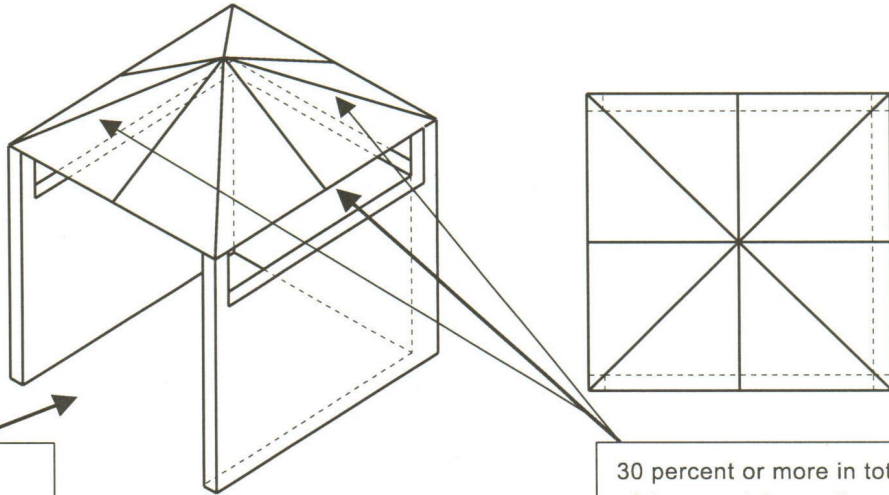
Clause 1.2.47(a)



Clause 1.2.47(b)



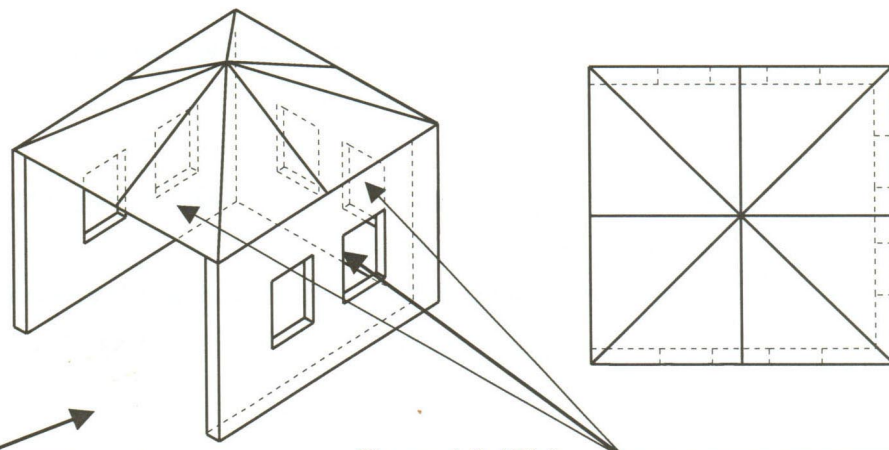
OUTDOOR AREA CONTINUED



Open side at least
25% of total wall area

Clause 1.2.47(c)

30 percent or more in total
of the remaining wall area
is open and unrestricted



Open side at least
25% of total wall area

Clause 1.2.47(c)

30 percent or more in total
of the remaining wall area
is open and unrestricted

ASSEMBLY INSTRUCTIONS

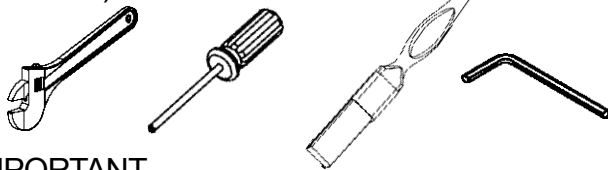
Tools you will require

Adjustable spanners (or 2 x 13 mm spanners and 1 x 19 mm spanner)

Phillips screwdriver

Paint brush with soap solution

4 mm hex allen key (supplied, attached to burner)



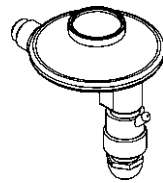
IMPORTANT

Before proceeding with assembly of your patio heater, unpack all the boxes and be sure that you can identify all the parts shown below.

Note:

The legs and leg flange have been bolted together for shipping purposes and will need to be separated before assembly can begin.

There is also a rubber edging strip around the lower rim of the burner tube**. This will need to be removed before assembly. The rubber edging around the leg flange must stay in place to help prevent damage to the gas supply hose.



Regulator



M8 x 20 bolt (6)



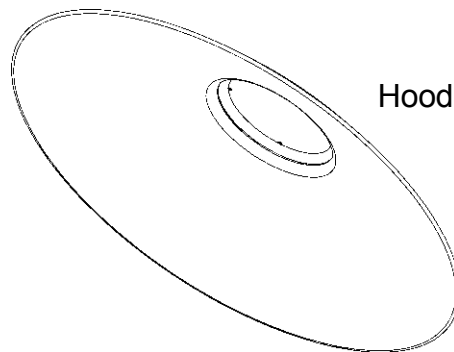
M8 nut (6)



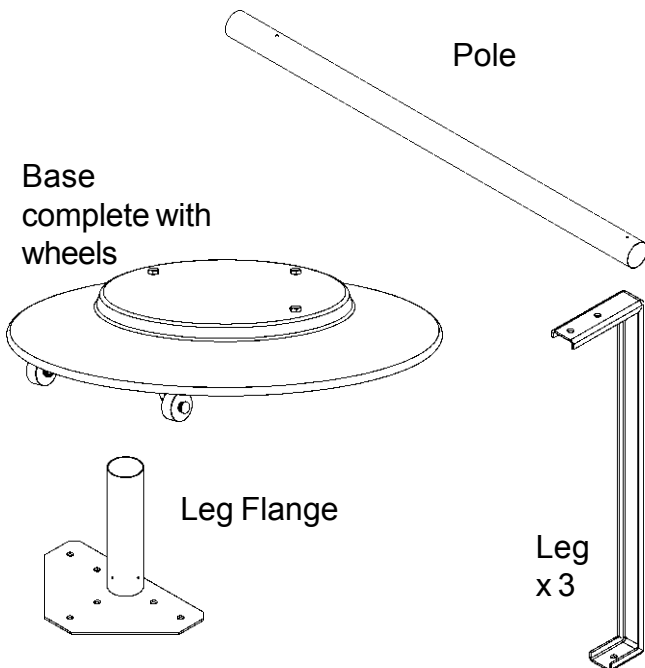
Self tapping Phillips head screw (2)



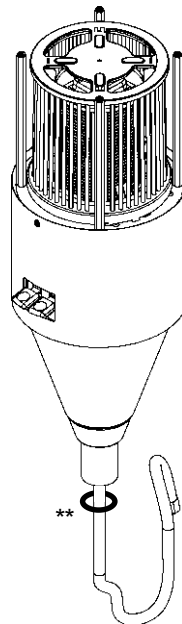
Stainless steel button head cap screw (4)



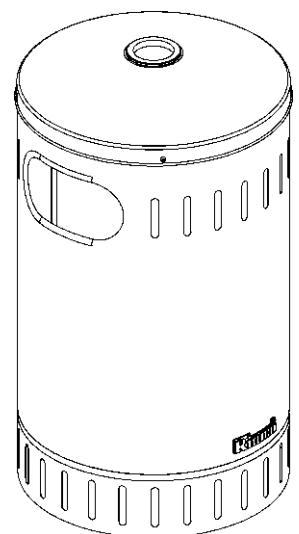
Hood



Burner

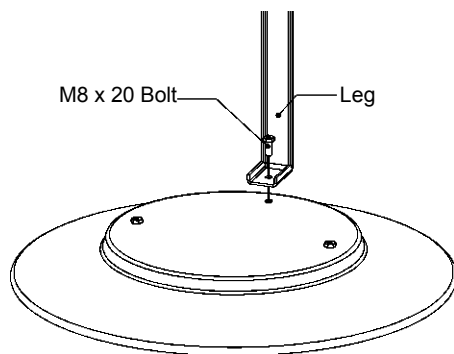


Bottle cover

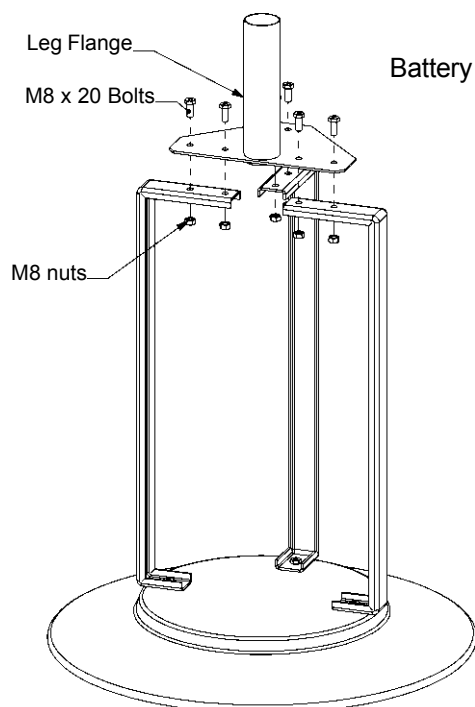


ASSEMBLY CONTINUED

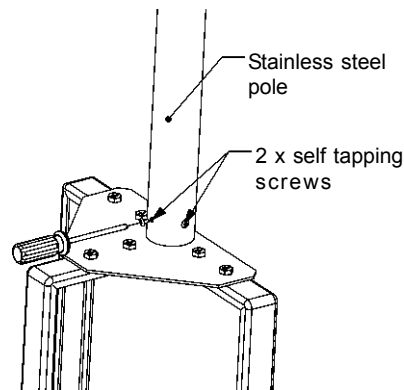
- 1 Place the base on a flat surface, making sure that the wheels are folded away underneath the base.
- 2 Remove 1 bolt from the base and, using the same bolt, attach 1 of the legs as shown (do not re-tighten the bolt fully at this stage)
CAUTION: DO NOT REMOVE MORE THAN 1 BOLT AT A TIME



- 3 Once all three legs are in place, attach the leg flange to the top of the legs using the M8 x 20 bolts and nuts. You can now fully tighten the bolts in both the base and the leg flange.
- 4 Slide the stainless steel pole over the leg

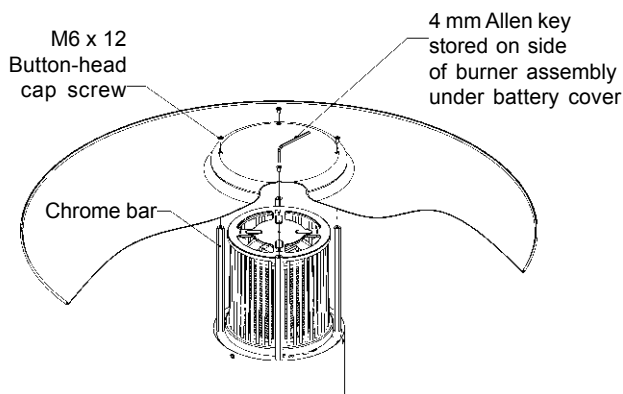


flange and attach using BOTH self tapping screws. Take care not to over-tighten the screws, as this may strip the threads.

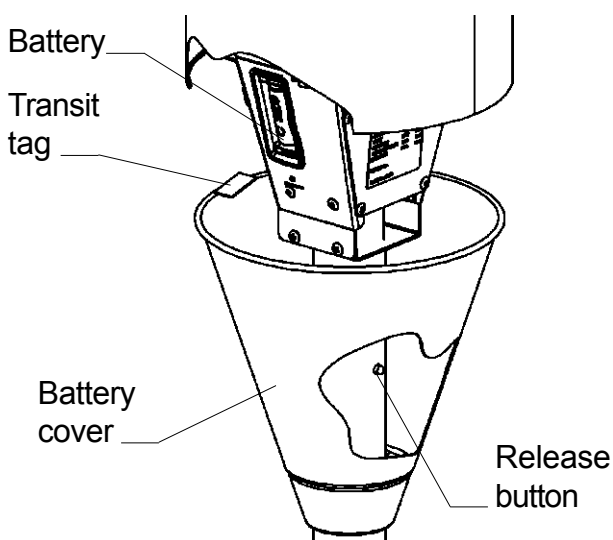


- 5 Slide the stainless steel bottle cover assembly over the pole, then remove the protective rubber strip from the end of the burner assembly spigot tube. Remove the battery cover from the burner assembly and slide it over the pole as well.
- 6 Carefully hold the burner support and feed the gas supply hose down the pole until it protrudes through the leg flange.
- 7 Slide the burner assembly spigot tube inside the pole. You will need to depress the small silver button on the back of the spigot tube to allow the assembly to slide down fully. (Take care not to pinch fingers)
- 8 Once the assembly is inserted, you may need to rotate it until the silver button protrudes from the pole.

- 9 Remove the plastic wrap from the burner assembly and carefully place the hood on top of the burner assembly as shown below, and align the four holes in the hood with the chrome rods on the burner assembly.
- 10 Using the 4 mm allen key (this is held by a plastic clip on the side of the burner assembly) attach the hood using the stainless steel button head cap screws. Do not tighten the screws until all four are in place. You may need to tilt the unit over or use a step ladder to attach the hood.



- 11 Remove the plastic tag from the end of the battery terminal and slide the battery cover up until it passes the button on the pole.

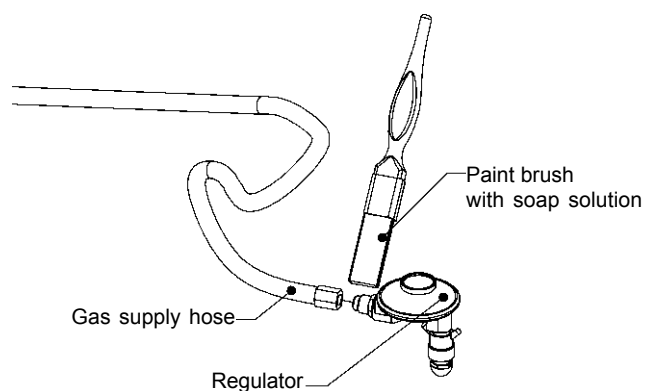


- 12 Attach the gas supply hose (*refer page 3, connecting gas bottle*) to the regulator and tighten using a spanner.

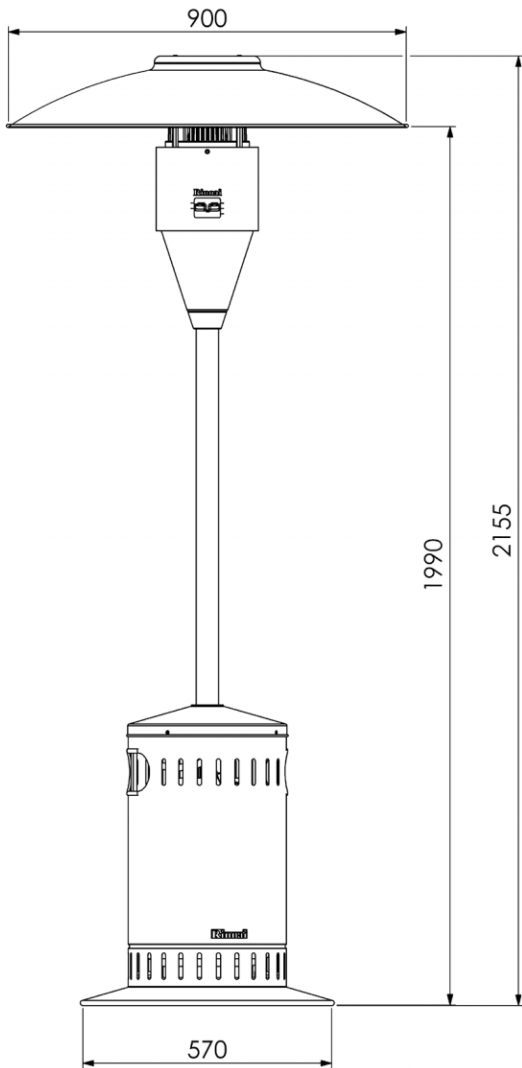
IMPORTANT: YOU MUST TEST THIS CONNECTION FOR GAS TIGHTNESS BEFORE OPERATING THE HEATER.

To test for gas tightness:

- 1 Fit the regulator to a properly filled gas bottle and tighten by hand. (Note: turn fitting counter-clockwise to tighten)
- 2 Fully open the valve on the gas bottle.
- 3 Using a brush or spray bottle, apply a solution made up of liquid soap and water to all gas connections to the regulator.
- 4 If bubbles appear then there is a leak .
- 5 If a leak is detected you must shut off the valve immediately. Re-tighten the leaking connection and re-test. If a leak is still detected then contact the retailer where the appliance was purchased from or an approved service technician.



TECHNICAL SPECIFICATION



Model:	PATIOSSL
Description:	Stainless steel, radiant plaque, gas patio heater.
Input:	25 MJ/hr.
Gas control:	Rinnai lever control combination
Burner:	Radiant plaque
Regulator:	POL (2.74 Kpa)
Test point pressure	2.55 kPa
Gas type:	LPG
Ignition:	Battery spark
Battery:	1.5 V c-size
Outer materials:	304 Stainless steel
Frame materials:	Gold pasivated steel
Wheels:	Rubber
Data Plate:	Back panel under battery cover
Weight : (without bottle)	30 kg