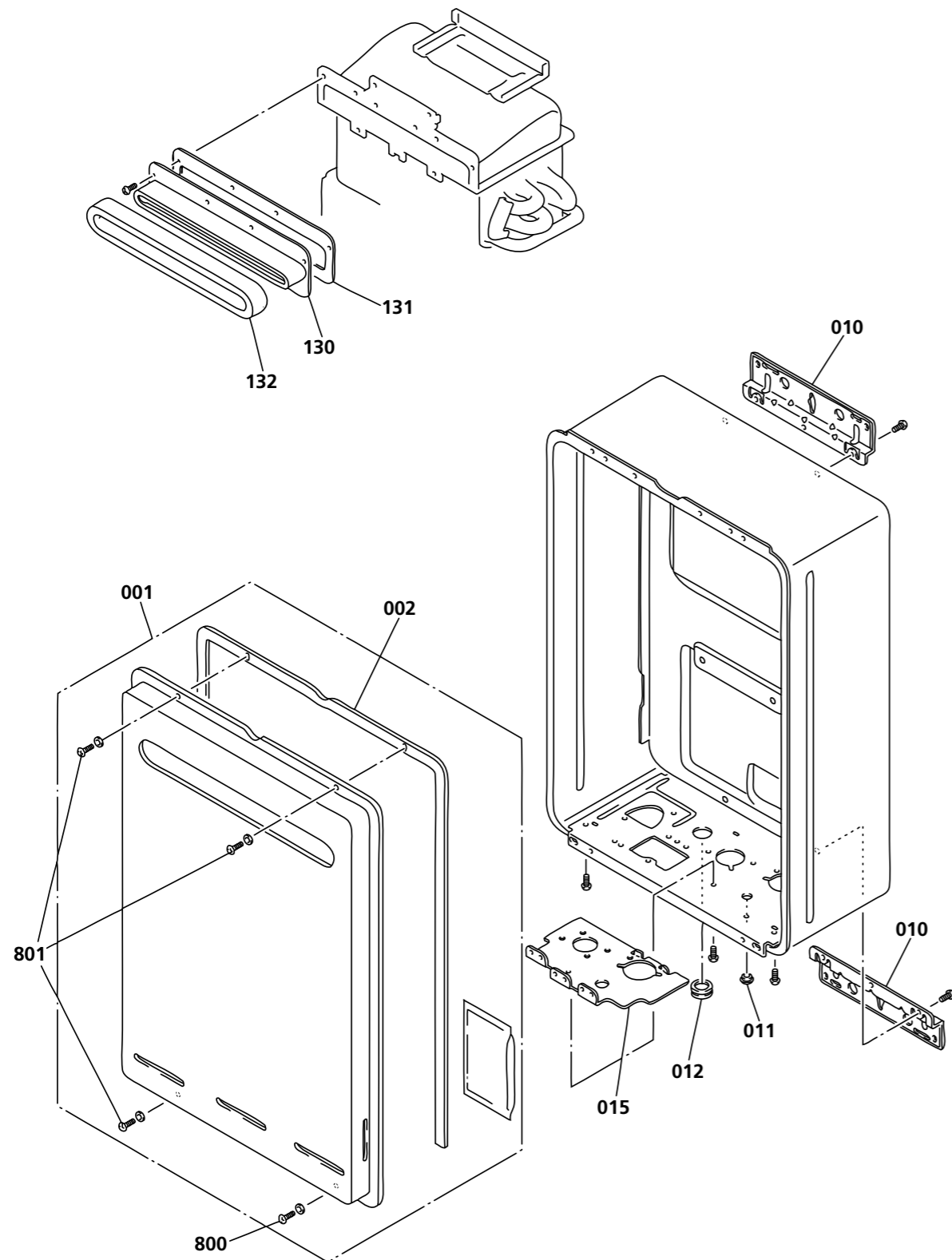


Infinity Solar 20 Gas Boost (REU-VE2015WS) Water Heater

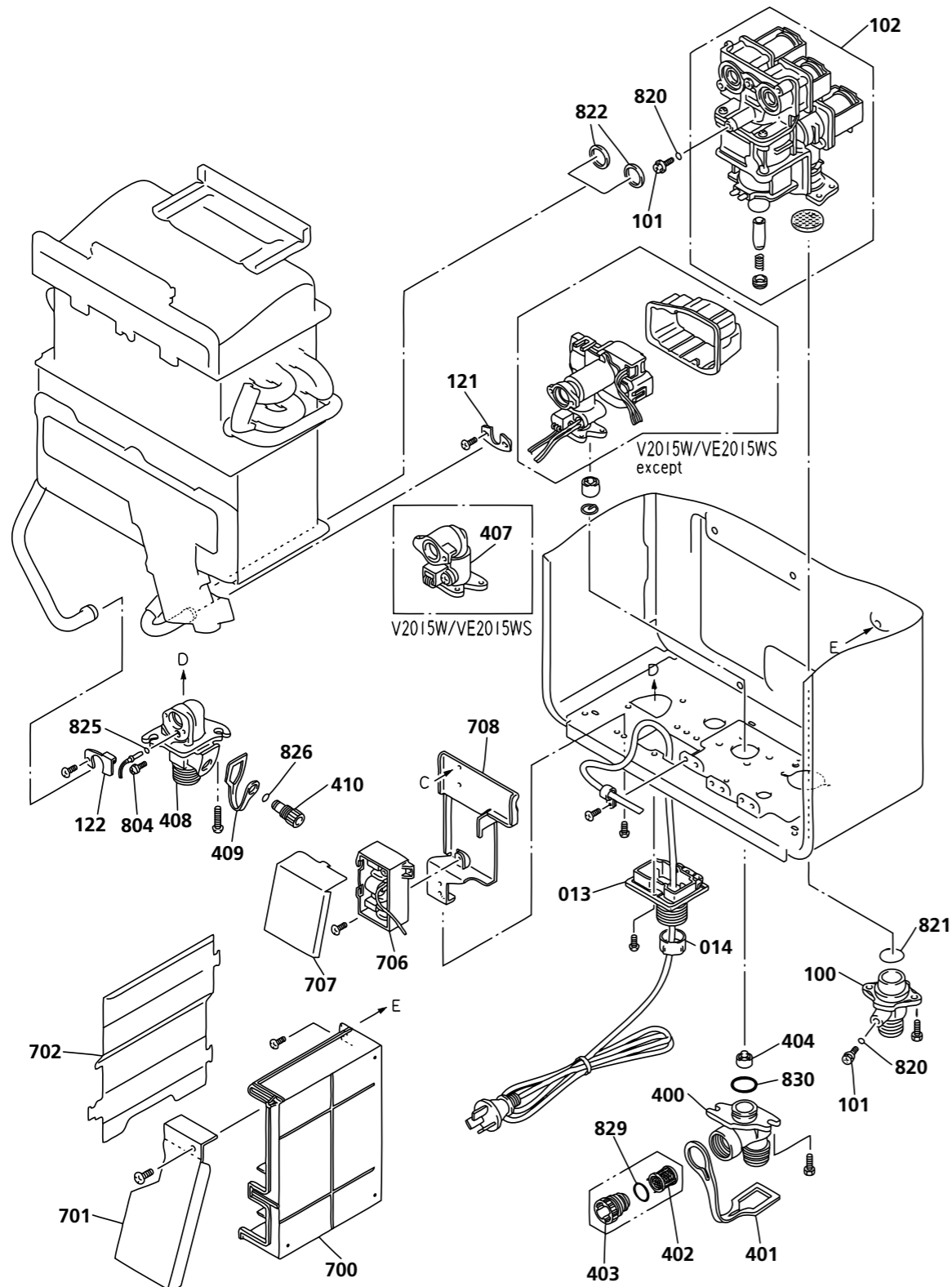
This diagram is provided to assist you to identify parts if replacement is necessary. Contact your place of purchase or the manufacturer to enquire about parts, availability and/or service.



Ref.	Description	Qty.	Part No.
	SI = stocked item		
001	Front panel assembly	1	3620 (SI)
002	Front panel packing	3	2940
010	Wall bracket	2	3387 (SI)
011	Seal packing	1	2898
012	Rubber bush C CR	1	2881
015	Connection reinforcement panel	1	2864
130	Exhaust opening	1	3264
131	Flue outlet packing	1	3256
132	Front panel seal packing	1	3284
800	Screw	1	2897
801	Truss screw	3	2939

Infinity Solar 20 Gas Boost (REU-VE2015WS) Water Heater

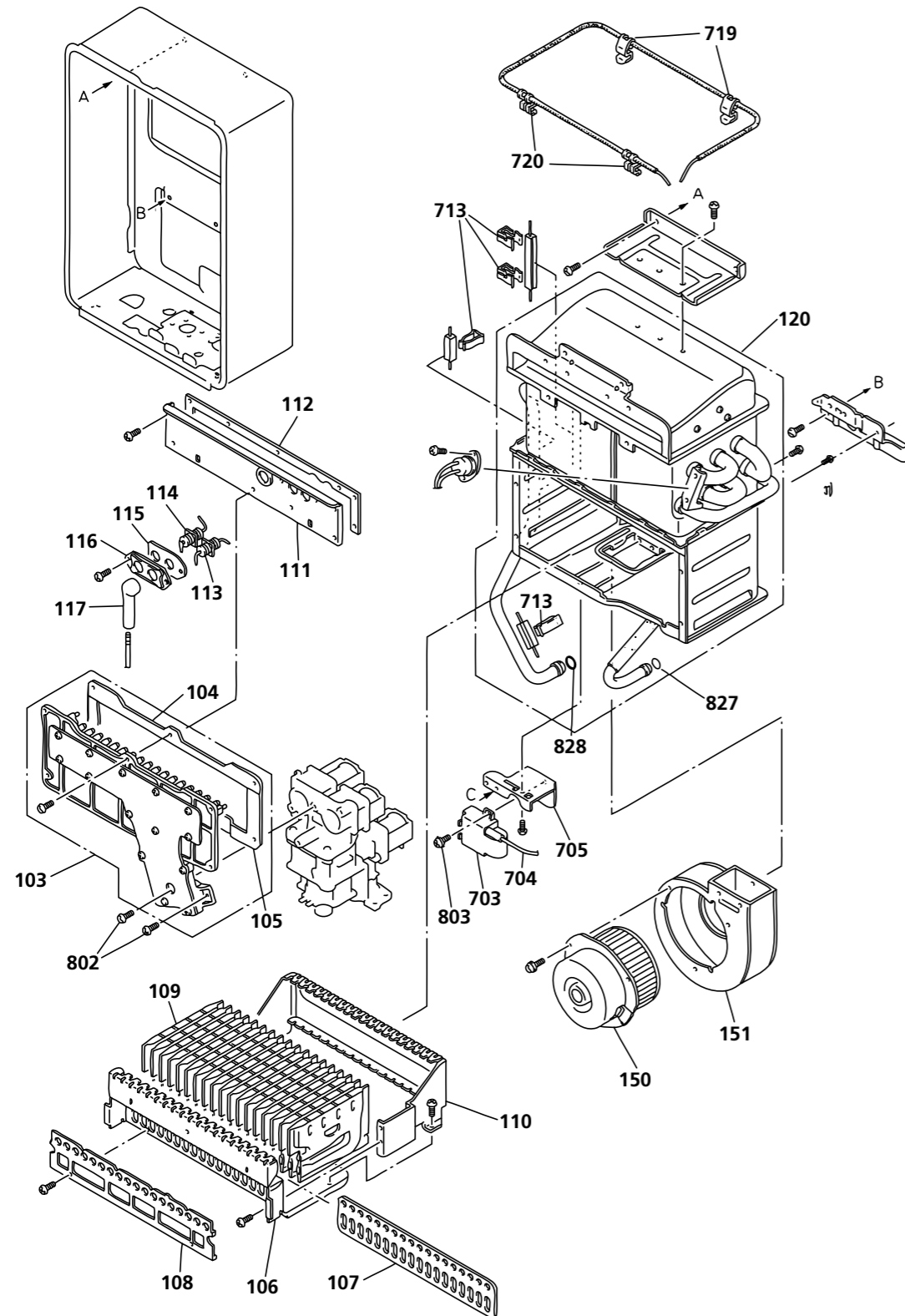
This diagram is provided to assist you to identify parts if replacement is necessary. Contact your place of purchase or the manufacturer to enquire about parts, availability and/or service.



Ref.	Description	Qty.	Part No.
	SI = stocked item		
013	Quick control connection	1	2877
014	Cable seal packing	1	2928
100	Gas connection	1	3074
101	Test point screw	2	3564 (SI)
102	Gas control assembly	1	2878 (SI)
121	Bracket	1	3331
122	Bracket fixing	1	3332
400	Inlet water connection	1	3210
401	Plug band inlet	1	2927
402	Incoming water filter	1	3839 (SI)
404	Balancer	1	3487
407	Water flow control assy. LPG	1	3270
407	Water flow control assy. NG	1	3271
408	Hot water connection	1	3214
409	Plug band hot water	1	2926
410	Pressure relief valve	1	3491
700	PCB main assy.	1	3268 (SI)
701	EC cover 2-Z	1	2872
702	PCB cover	1	2866
706	Surge protector	1	4930 (SI)
707	Sub circuit board cover	1	2873
708	Fixing plate	1	2925
804	Thermistor stop screw	1	3241
820	O-ring	2	2239 (SI)
821	Gas inlet o-ring	1	3837
822	Packing	2	3773
825	O-ring	1	3832
826	O-ring	1	1031
830	O-ring	1	3627

Infinity Solar 20 Gas Boost (REU-VE2015WS) Water Heater

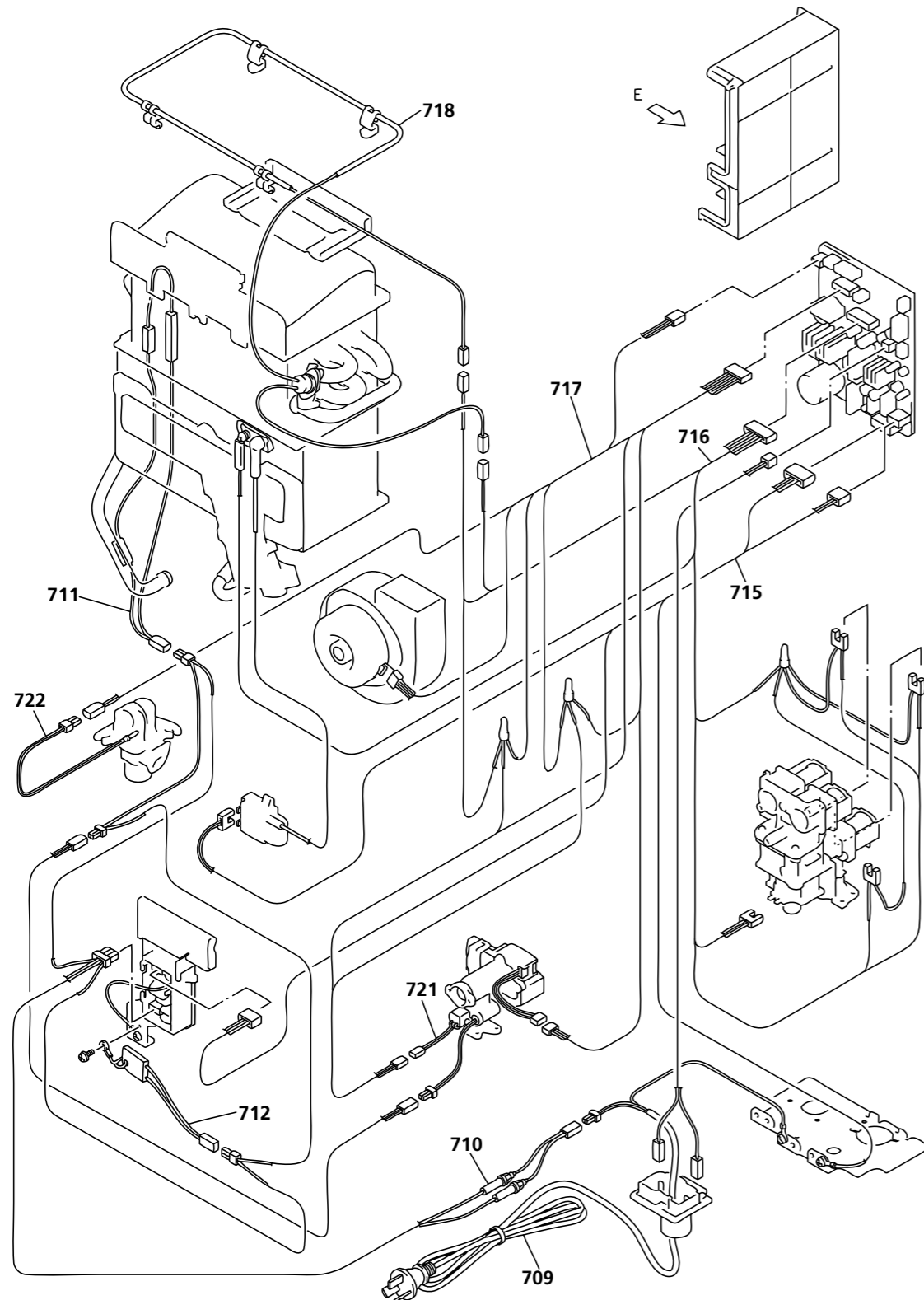
This diagram is provided to assist you to identify parts if replacement is necessary. Contact your place of purchase or the manufacturer to enquire about parts, availability and/or service.



Ref.	Description	Qty.	Part No.
	SI = stocked item		
103	Manifold assembly LPG	1	4887
103	Manifold assembly NG	1	4888 (SI)
104	Manifold packing top	1	3250
105	Manifold packing lower	1	3251
106	Burner case front	1	3245
107	Packing	1	3255
108	Damper	1	4890 (SI)
109	Lean & rich burner assembly	18	2941
110	Burner case rear	1	3247
111	Combustion chamber front	1	3242
112	Combustion chamber packing top	1	3257
113	Electrode	1	3445 (SI)
114	Front electrode	1	4916 (SI)
115	Electrode packing	1	3465 (SI)
116	Electrode holder	1	3468 (SI)
117	Electrode sleeve	1	3475 (SI)
120	Heat exchanger assembly	1	3272 (SI)
150	Fan motor assembly	1	5782
151	Fan casing	1	3404
703	Ignitor assembly	1	2886 (SI)
704	HT lead universal	1	3651 (SI)
705	Ignitor fixing plate	1	3249
713	Heater fixing plate	4	2899
719	Temperature fuse fixing plate	2	3659
720	Temperature fuse fixing plate	2	4899
802	Screw	3	2938
803	Tapping screw	1	2896
827	O-ring	1	4912
828	O-ring	1	3826

Infinity Solar 20 Gas Boost (REU-VE2015WS) Water Heater

This diagram is provided to assist you to identify parts if replacement is necessary. Contact your place of purchase or the manufacturer to enquire about parts, availability and/or service.



Ref.	Description	Qty.	Part No.
	SI = stocked item		
709	Power cord	1	3526
710	Fuse harness-2 LPG	1	2855 (SI)
710	Fuse harness NG	1	2854 (SI)
711	Valve water heater assembly	1	4900
712	Frost sense switch	1	3358
715	Electric power harness	1	2888
716	Magnet valve harness	1	2889
717	Sensor harness solar	1	3269
718	Thermal fuse assembly	1	4897 (SI)
721	MR sensor	1	3771
722	Thermistor	1	2884 (SI)