

Rinnai

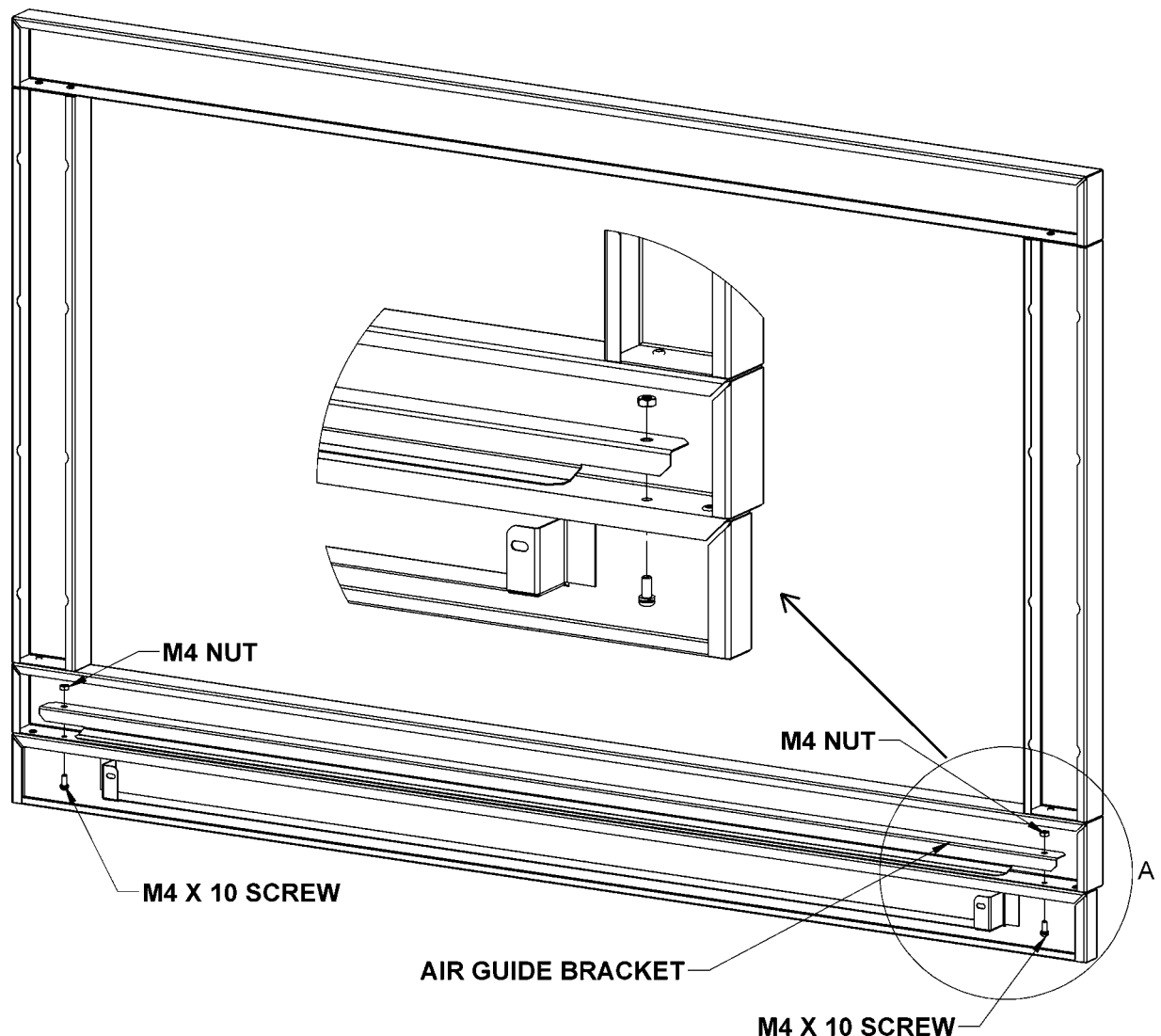
GAS APPLIANCES

now that's smart!

LUMINA 800/1000SS

INSTALLER INSTRUCTION

FOR AIR GUIDE BRACKET SS FRONT



IMPORTANT INSTRUCTION:

AIR GUIDE BRACKET MUST BE FITTED TO THE LUMINA STAINLESS STEEL FRONT ASSEMBLY USING TWO M4 NUTS AND TWO M4 X 10 SCREWS AS SHOWN IN THE EXPLODED VIEW.

IF IN DOUBT PLEASE ASK

**PN: 10665
Issue B**