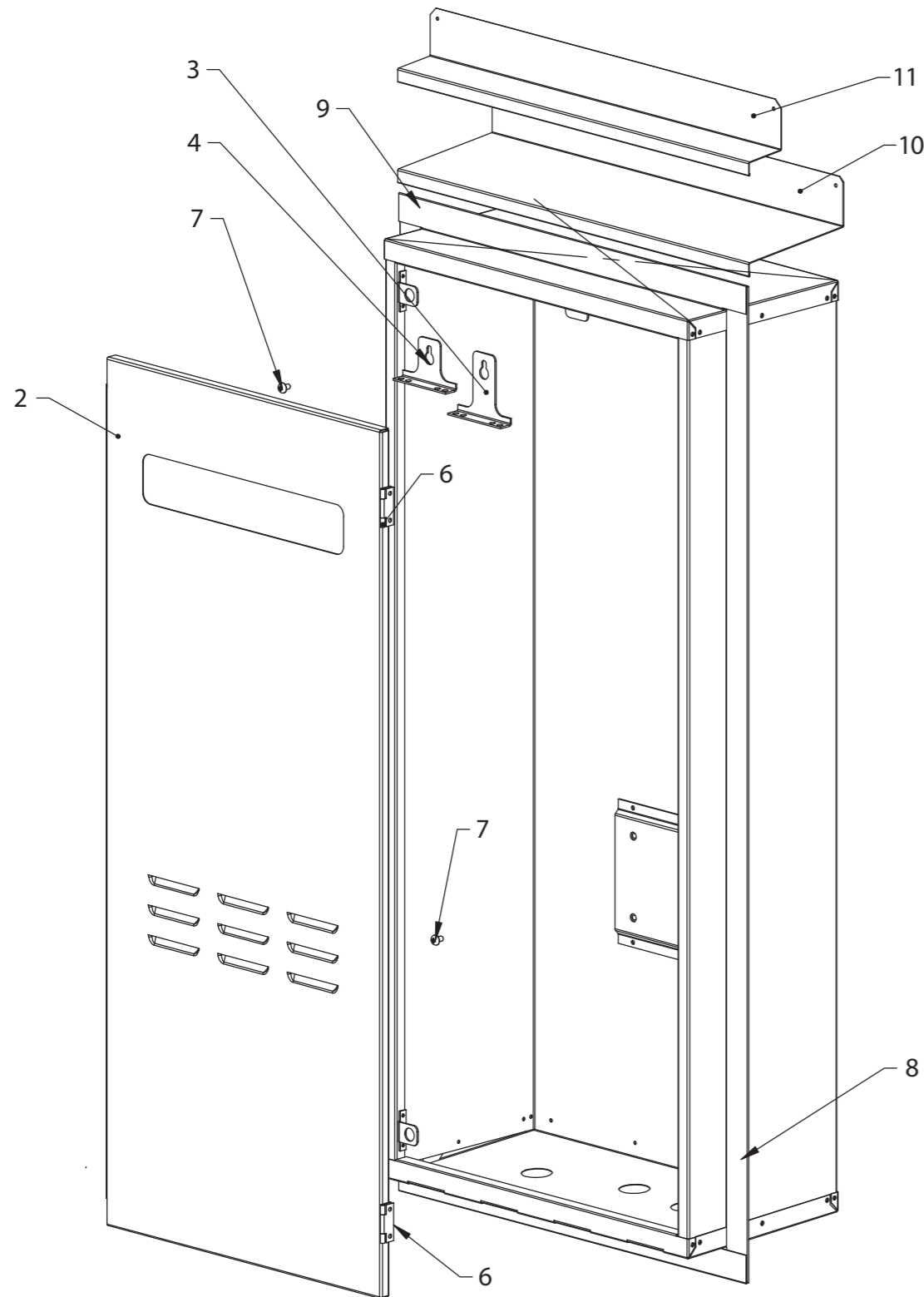


Recess Box R1405

This diagram is provided to assist you to identify parts if replacement is necessary. Contact your place of purchase or the manufacturer to enquire about parts, availability and/or service.

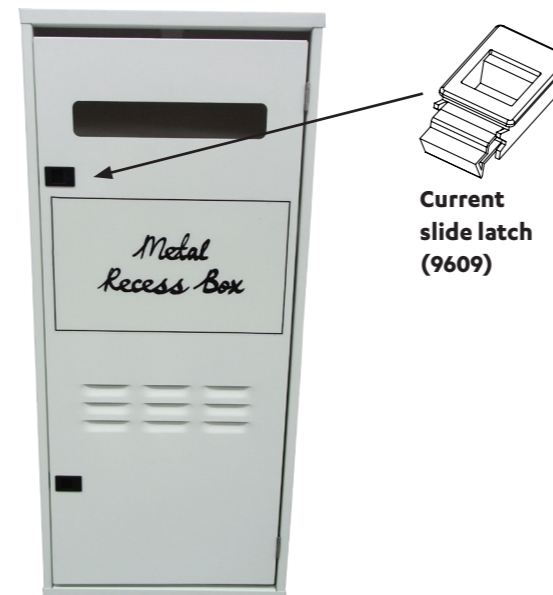


Ref.	Description	Qty.	Part No.
2	Recess box door assembly (current)— manufactured from March 2011 Assembly is painted and comes with slide latches, and hinges.	1	6113
2	Recess box door assembly (old)— manufactured pre March 2011 Assembly is painted and comes with snap-lock latches, and hinges.	1	6101
3	Mounting bracket natural for Infinity 24	1	6102R
4	Mounting bracket natural for XR/VT	1	6103R
6	Hinge stainless steel grade 304	2	6003
7	Screw stainless steel M5 x 8 grade 304	3	9110
8	Trim slide left and right (R1405/R1400)	2	5991
9	Trim top/bottom R1405	2	5995
10	Trim top flashing 130 R1405	1	5996
11	Trim top flashing 45 R1405	1	5997
-	Slide latch (current)—refer image below	2	9609
-	Snap-lock latch (old)—refer image below	2	9608

Important

Doors and latches cannot be interchanged. If you have an older model recess box with the snap-lock fasteners and need to replace the door, you need to order 6101.

Current model recess box - door assembly 6113



Older model recess box - door assembly 6101

