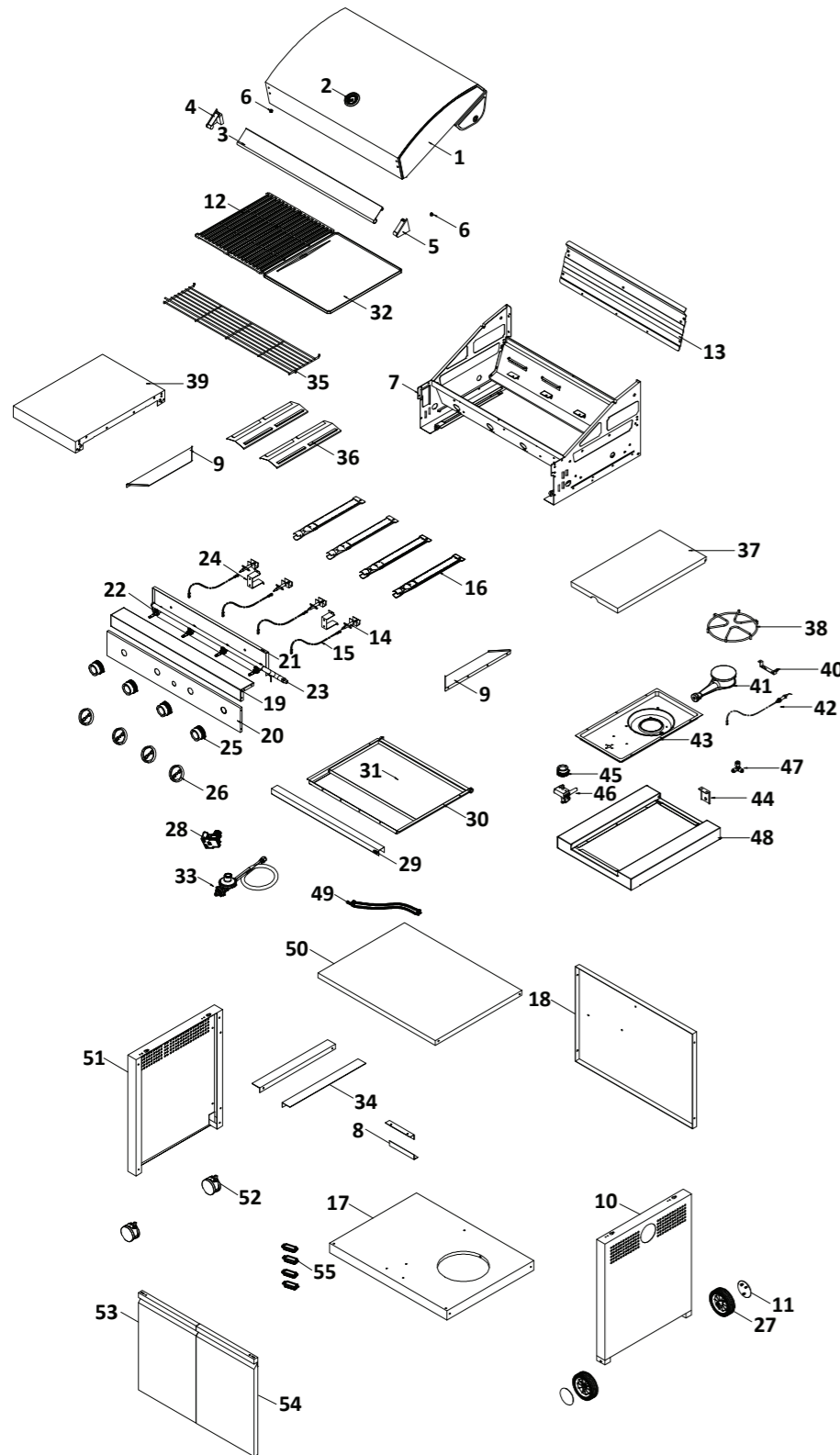




GT4S (GT4HL) BBQ Mitre 10 exclusive

This diagram is provided to assist you to identify parts if replacement is necessary. Contact your place of purchase or the manufacturer to enquire about parts, availability and/or service.



Ref.	Description	Qty.	Part No.
1	Hood assembly	1	18728
2	Temperature gauge	1	18739
3	Hood handle	1	18731
4	Hood handle seat - left	1	18737
5	Hood handle seat - right	1	18921
6	Hood rubber pad	4	18881
7	Bowl assembly	1	18742
8	Door guide	1	18879
9	Bowl grease shield	2	18896
10	Trolley panel - right	1	18913
11	Wheel cap	2	18875
12	Grill plate	2	18799
13	Bowl wind shield	1	18748
14	Gas collector box with electrode	4	18805
15	Electric wire set	4	18810
16	Main burner	4	18803
17	Trolley panel - bottom	1	18875
18	Trolley panel - rear	1	18915
19	Upper control panel	1	18818
20	Control panel	1	18819
21	Gas valve heat shield	1	18825
22	Main valve - LPG with jet	4	18827
23	Manifold	1	18869
24	Gas valve heat shield bracket	2	18848
25	Control knob - main burner	4	18853
26	Knob seat	4	18420
27	5 " wheel	2	18874
28	Electric ignitor	1	17633
29	Grease tray handle	1	18732
30	Grease tray bracket	1	18850
31	Grease tray	1	18811
32	Hot plate	1	18883
33	Regulator set LPG	1	18855
34	L-shape separation barcket	2	18762
35	Warming rack	1	18795

Ref.	Description	Qty.	Part No.
36	Flame tamer	2	18800
37	Side shelf lid	1	18726
38	Side shelf pot support	1	17379
39	Side shelf - left	1	18786
40	Side burner mounting bracket	1	18847
41	Side burner	1	18801
42	Electrode - side burner	1	18804
43	Side shelf body	1	18791
44	Burner bracket - side burner	1	18836
45	Control knob - side burner	1	18852
46	Valve - side burner	1	18829
47	Adaptor	1	18395
48	Side shelf trim plate	1	18789
49	Hose	1	18856
50	Separation panel	1	18779
51	Trolley panel - left	1	18911
52	2.5 " caster	2	18873
53	Door - left	1	18863
54	Door - right	1	18866
55	Magnet seat	4	18452
-	Rinnai badge	1	9424
-	Rotisserie kit	1	18919
-	Hardware pack	1	18931
-	BBQ cover	1	ABBQ2034