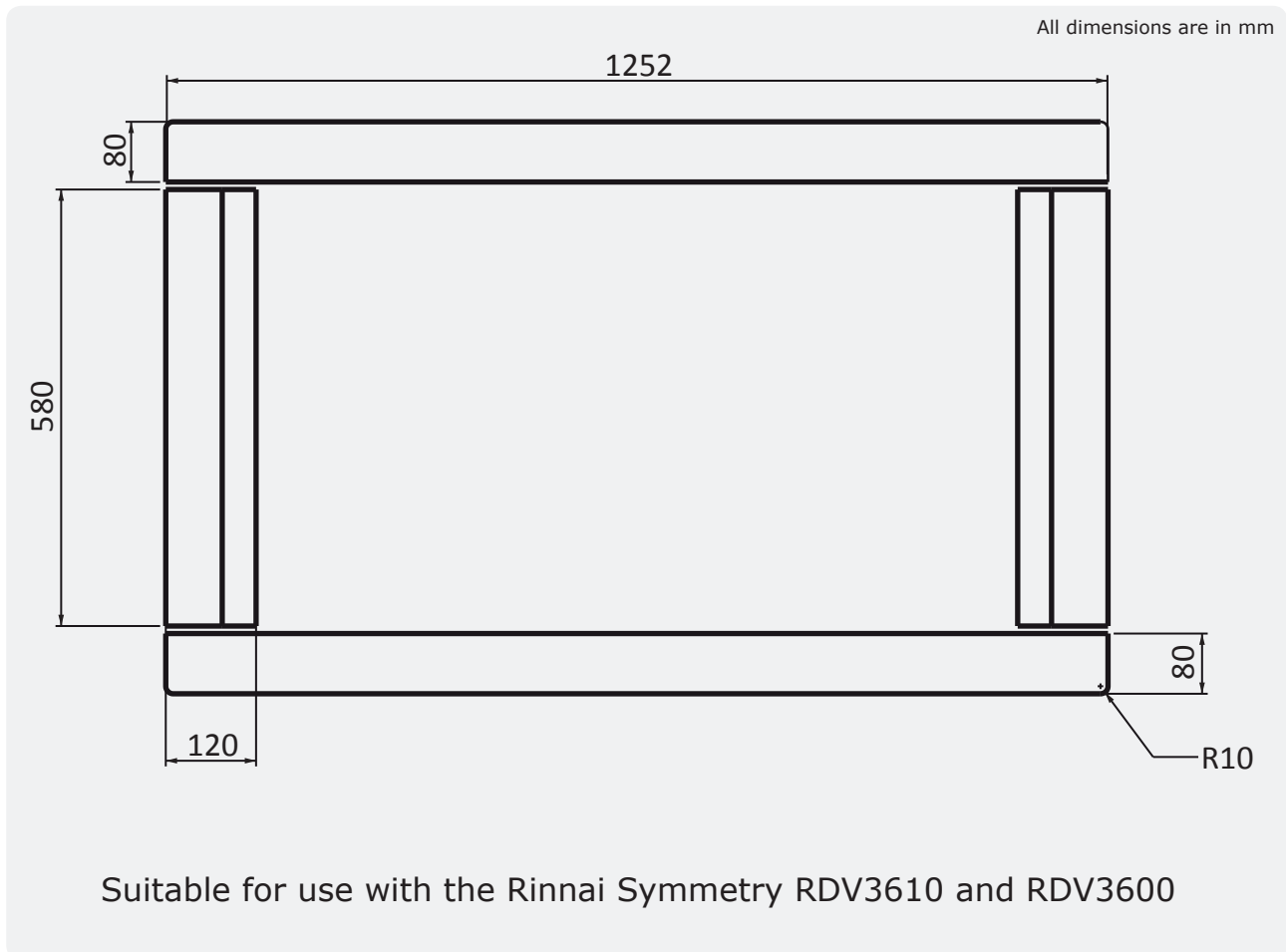


## Installation Instructions



**R3620 kit includes:**

- Horizontal granite frame x 2
- Vertical granite frame x 2
- Heat deflector x 1

**Installer to supply:**

- Adhesive and applicator gun
- Packers
- Measuring tape
- Pencil and rubber
- Spirit level

Total weight of frame once installed is approximately 20 kg.

During installation it is advisable to have an extra pair of hands to assist. The length and weight of the granite pieces as well as the quick bonding adhesive can be tricky to work with.

Installation can be completed by the home owner if they have the required D.I.Y skills.

# Before Installation

---



Check for damage. Do not install any damaged items.



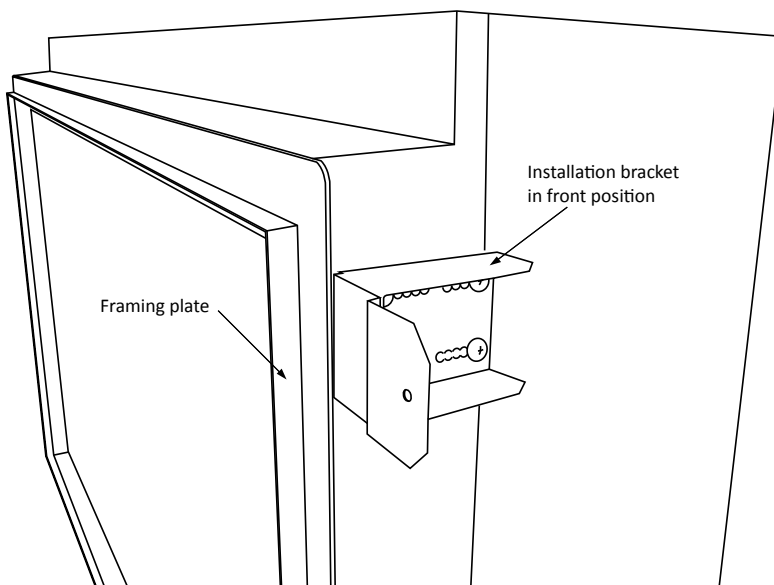
Check all components have been supplied, refer kit components on front page.



Read these instructions to get an overview of the steps required before starting.

## Before installing the granite frame ensure:

- Wall is flat and square (if uneven there will be gaps behind the frame)
- Surrounding surfaces that the granite frame will be glued to are clean and dust free
- Non-combustible surface above the fireplace has been appropriately sealed and plastered to a smooth finish
- Installation brackets are in the front most position and the non-combustible board and drywall are finished to the inner edge of the framing plate

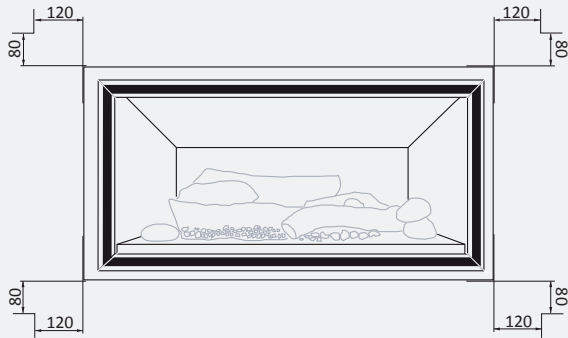


- Adhesive is the appropriate industrial strength and has good "green" strength (grabs quickly and able to withstand a temperature of 120 °C)<sup>1</sup>
- Correct position of granite pieces—polished sides face out and side sections have the angled edges facing inwards (refer line drawing on front page)

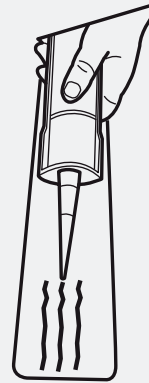
<sup>1</sup> Bostick 70 - 08 Windscreen adhesive has proven performance in these areas. Visit [www.bostick.co.nz](http://www.bostick.co.nz) for more details.

# Installation

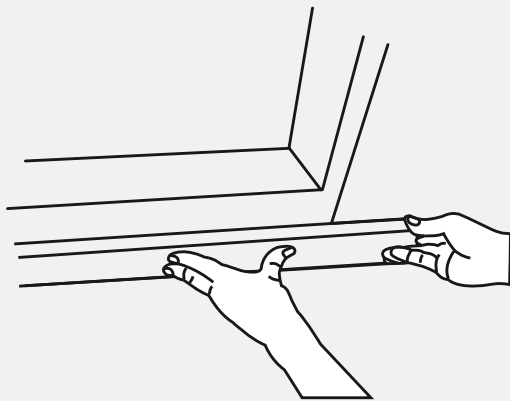
- 1** Mark out with a pencil the side positions of the granite. This will help keep everything square.



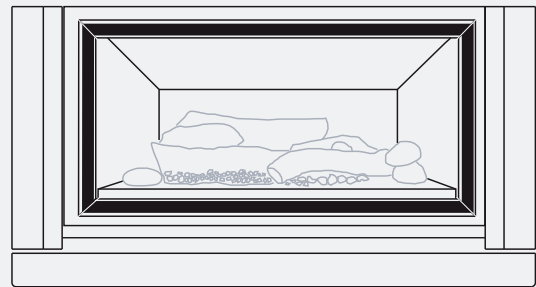
- 2** Begin with the bottom granite piece and apply adhesive to the back edge. Aim for small narrow lines rather than one or two thick lines. Thick lines will cause the frame to sit out from the wall.



- 3** Using packers move the bottom granite piece into position. The top edge should finish flush with the framing plate. Apply pressure by hand to fix the granite piece in place. Leave overnight so the adhesive can cure.

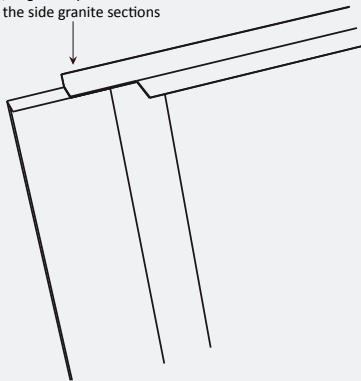


- 4** Following steps 2-3 (including leaving overnight), install the side granite pieces.

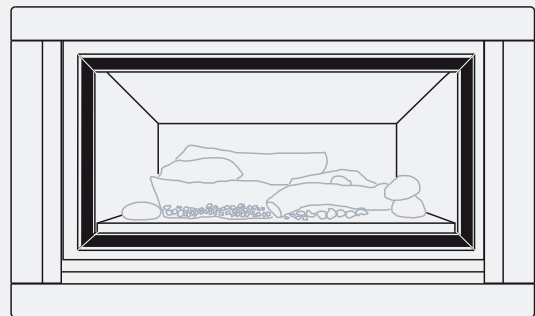


- 5** Install the heat deflector<sup>1</sup> by slotting the vertical fold behind the framing plate. The edges of the deflector should sit in the middle of the side granite pieces.

Heat deflector, edges are positioned in the middle of the side granite sections



- 6** Following steps 2-3 (you do not need to leave overnight), install the top granite piece.



<sup>1</sup> The heat deflector stops the granite from becoming too hot by deflecting the hot air that rises directly above the unit.

# Rinnai

EXPERIENCE OUR INNOVATION

**Consumers:** 0800 RINNAI (746 624)  
**Installers:** 0800 TO RINNAI (86 746 624)

**Address:** 105 Pavilion Drive, Airport Oaks, Mangere, Manukau  
PO Box 53177, Auckland Airport, Manukau 2150

**Phone:** (09) 257 3800  
**Fax:** (09) 257 3899

**Email:** [info@rinnai.co.nz](mailto:info@rinnai.co.nz)  
**Websites:** [www.rinnai.co.nz](http://www.rinnai.co.nz) and [www.rinnai-tradesmart.co.nz](http://www.rinnai-tradesmart.co.nz)

Rinnai is constantly improving its products and as such information and specifications are subject to change or variation without notice.