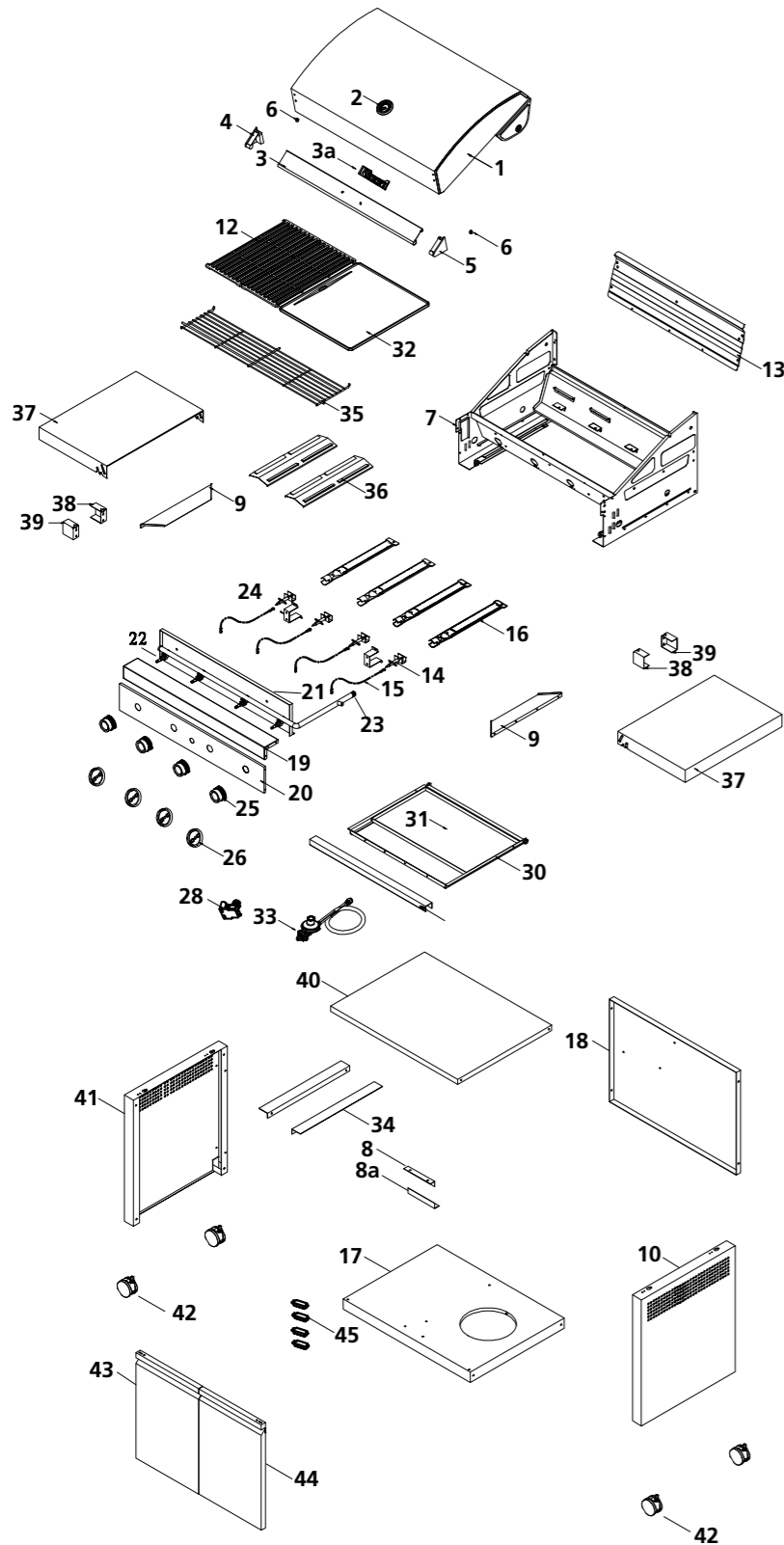


2012 Harvey Norman exclusive GT4SFD BBQ

This diagram is provided to assist you to identify parts if replacement is necessary. Contact your place of purchase or the manufacturer to enquire about parts, availability and/or service.



Ref.	Description	Qty.	Part No.
1	Hood assembly	1	18728
2	Temperature gauge	1	18739
3	Hood handle	1	18731
3a	Rinnai badge	1	9424
4	Hood handle seat left	1	18737
5	Hood handle seat right	1	18921
6	Hood rubber pad	4	18881
7	Bowl set	1	18743
8	Door stop plate - upper	1	18956
8a	Door stop plate - lower	1	18878
9	Bowl grease shield	2	18897
10	Trolley panel right	1	18954
12	Grill plate	2	18949
-	Grill cover	1	18957
13	Bowl wind shield	1	18748
14	Gas collector box with electrode	4	18952
15	Electric wire set	4	18807
16	Main burner	4	18803
17	Trolley bottom panel	1	18774
18	Trolley panel rear	1	18955
19	Upper control panel	1	18925
20	Control panel	1	18822
21	Gas valve heat shield	1	18825
22	Main valve without jet LPG	1	18827
-	Main valve orifice LPG	1	18887
23	Manifold	1	18953
-	Extension fitting for manifold	1	18860
24	Gas valve heat shield bracket	2	18848
25	Control knob main burner	4	18853
26	Knob seat	4	18420
28	Electric ignitor	1	17658

Ref.	Description	Qty.	Part No.
29	Grease tray handle	1	18732
30	Grease tray holder bracket	1	18850
31	Grease tray	1	18811
32	Hot plate	1	18883
33	Regulator set LPG	1	18855
34	L-shape separation bracket	2	18761
35	Warming rack	1	18795
36	Flame tamer	2	18800
37	Side shelf	2	18780
38	Side shelf bracket, RF LR	2	18839
39	Side shelf bracket LF RR	2	18837
40	Separation panel	1	18778
41	Trolley panel left	1	18910
42	2.5 " caster lockable	4	18873
43	Door left	1	18862
44	Door right	1	18865
45	Magnet seat	4	18452
-	Hardware pack	1	18958
-	BBQ cover	1	R2109
-	Rotisserie kit	1	18919