

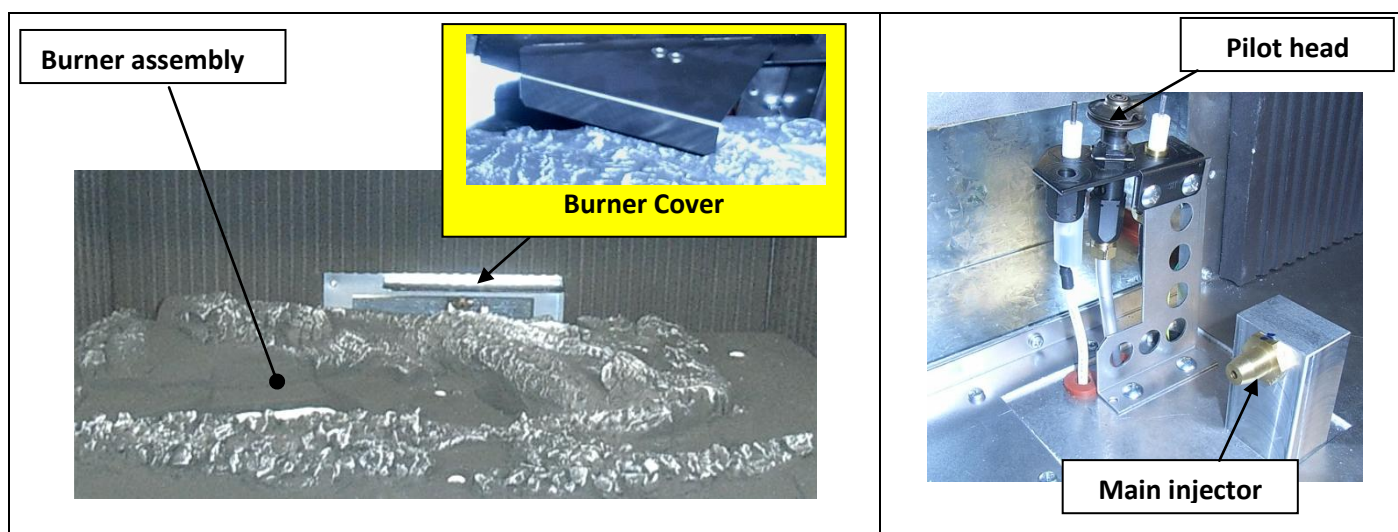
Must be installed by a certified gas fitter in accordance with all applicable local rules and regulations

The Rinnai Symmetry RDV3611 LPG appliance is factory supplied, with rated input of 30MJ/hr for installation for **Horizontal** Vent Terminations only. To ensure that optimum Flame Effect and **Maximum Energy Efficiency** is obtained when the unit is being installed with a **Vertical** Vent Termination the appliance must be up rated to 33MJ/hr by installing this Kit.

Kit Contents	Quantity	Rinnai Part Number	Comments
Main Injector	1	11534	1.70mm
Data Plate	1	11152	For Vertical Flues ONLY
Instruction Sheet	1	11154	
Energy Rating Label (Vertical Flue)	1		

Gas Up Rating Procedure

1. Remove Glass assembly 4 x screws; lift and remove.
2. Remove service panel front 2x screws.
3. Remove service panel rear 2x screws; Lift panel out carefully and put to one side (*leaving the CAT5 cable connected to control panel receiver*).
4. Remove log set if installed.
5. Remove burner cover.



6. Lift the burner assembly out carefully as it is very fragile. **NOTE:** *Extra care should be taken to avoid scratching the ceramic panels/ combustion chamber walls.*
7. Remove and replace the **Main Injector** with the one supplied.
8. Gently lift the burner assembly back into place. **NOTE:** *Extra care should be taken to avoid scratching the ceramic panels/ combustion chamber walls.*
9. Refit the burner cover.
10. Install the log set.
11. Fit the **Field Converted Data Plate** next to the existing dataplate to show that it has been field up rated
12. Commission & set gas pressures for correct gas type as per gas setting procedure.
13. Reassemble the remaining components in reverse order.

INSTALLERS INFORMATION - TESTING & COMMISSIONING

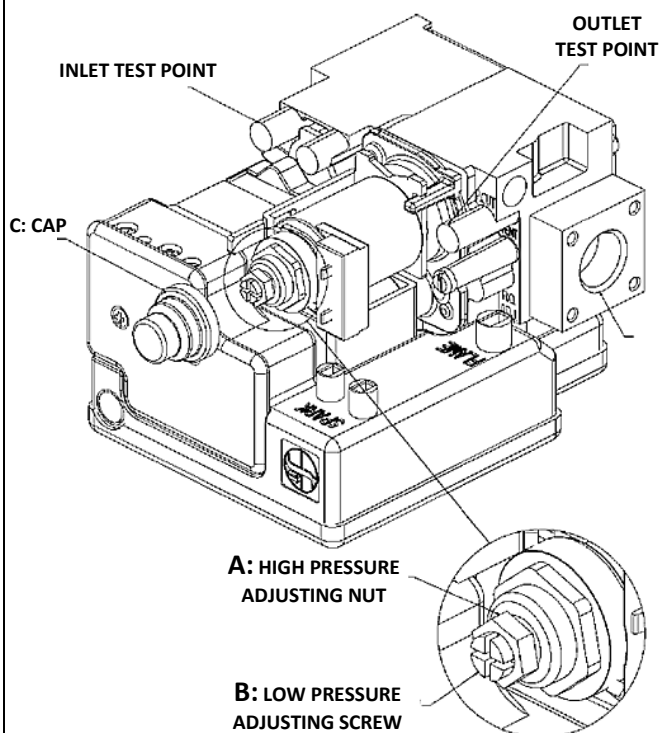
TESTING PROCEDURE

Turn gas supply on and plug the unit into the power supply. (Caution 240V.)

TO CHECK BURNER PRESSURE

- Refer to Data Plate; the Technical Specification section in the service manual.
- Loosen the Outlet Test Point screw and attach manometer to the test point. The Outlet Test Point is on the right hand side of Gas Control (Shown Below)
- Light appliance, adjust to High flame setting and check pressure.
- If adjustments are necessary, remove the Cap C. Pressure adjustment screw and nut are on the front side of Gas Control (Shown Below) and should be set to the pressures on the data-plate.

High Pressure Setting: Set the POV to the maximum condition. Use 10mm spanner to screw in Nut A to increase the outlet pressure and screw it out to decrease the pressure.



Low Pressure Setting:

Turn off the power to the POV by disconnecting the POV Test Connection (yellow wires) in main harness.

Keep Nut A stationary, use a screwdriver 6X1 blade to screw in the Screw B to increase the pressure and screw it out to decrease it.

Carefully replace the modulator plastic cap.

WARNING: To ensure the correct operation of the POV it is necessary that the plastic cap C is returned to its original location.

- After checking the pressure, turn the unit off, remove manometer and tighten the test point screw. (reconnect the POV connection in the main harness)
- Turn the appliance on and off a few times to check ignition.
- When you are satisfied that the appliance is working correctly, refit the service panels. Refit the glass assembly and frame(s).
- If you are unable to get the unit to operate correctly, refer to Troubleshooting in the service manual before contacting your local service agent.
- It may take approximately 2 hours of operation for the media to achieve their full flame pattern and glow.
- During the initial burning in period, some smoke and smell may be experienced; the appliance should be run on the high position in a well ventilated room until these dissipate.