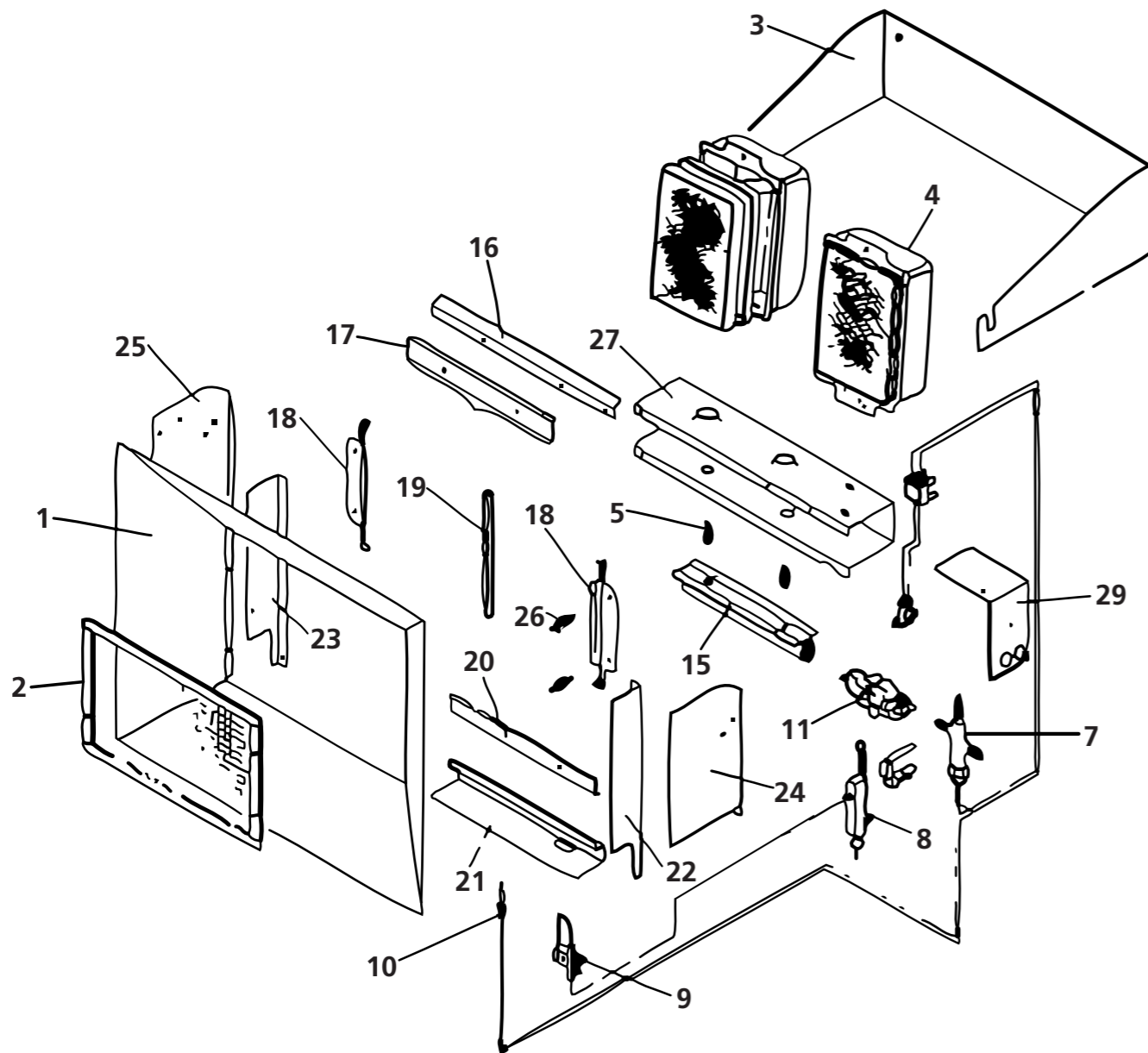


# Super Ray Indoor Manual heaters (WMA 16, 24, 40, 48)

This diagram is provided to assist you to identify parts if replacement is necessary. Contact your place of purchase or the manufacturer to enquire about parts, availability and/or service.



| Ref. | Description  | WMA 16.  | WMA 24   | WMA 40   | WMA 48   |
|------|--|----------|----------|----------|----------|
| 1    | Reflector  | 6036     | 6037     | 6038     | 6039     |
| 2    | Economiser screen assembly (incl. split pins)  | 1512     | 1513     | 1523     | 1524     |
| 3    | Wall mounting bracket  | 6040     | 6041     | 6042     | 6043     |
| 4    | Burner assembly  | 1514 x 2 | 1514 x 3 | 1514 x 5 | 1514 x 6 |
| 4    | Burner plaque  | 6016 x 2 | 6016 x 3 | 6016 x 5 | 6016 x 6 |
| 4    | Burner body  | 6015 x 2 | 6015 x 3 | 6015 x 5 | 6015 x 6 |
| 4    | Burner packing   | 6017 x 2 | 6017 x 3 | 6017 x 5 | 6017 x 6 |
| 5    | Injector NG 1.30   | 5452 x 2 | 5452 x 3 | 5452 x 5 | 5452 x 6 |
| 5    | Injector LPG 0.80  | 5450 x 2 | 5450 x 3 | 5450 x 5 | 5450 x 6 |
| 7    | Flame failure valve  | 7942     | 7942     | 7942     | 7942     |
| -    | Tip over switch assembly   | 6130     | 6130     | 6130     | 6130     |
| 8    | Sparker replacement kit (replaces Piezo igniter, ignition spring and tipover switch) | 4987     | 4987     | 4987     | 4987     |
| 9    | Electrode assembly   | 5054     | 5054     | 5054     | 5054     |
| 10   | Thermocouple   | 5049     | 5049     | 5052     | 5052     |
| 11   | Regulator assembly NG only   | R5042    | R5042    | R5042    | 5060     |
| 15   | Manifold NG  | 5176     | 5178     | 5180     | 5182     |
| 15   | Manifold LPG   | 5177     | 5179     | 5181     | 5183     |
| 16   | Top burner frame   | 5196     | 5200     | 5198     | 5199     |
| 17   | Top plaque retainer  | 5202     | 6021     | 5203     | 5204     |
| 18   | Side plaque retainer   | 6019 x 2 | 6019 x 2 | 6019 x 2 | 6019 x 2 |
| 19   | Burner partition panel   | 6018 x 1 | 6018 x 2 | 6018 x 4 | 6018 x 5 |
| 20   | Bottom plaque retainer   | 6044     | 6045     | 6046     | 6047     |
| 21   | Cross lighting bracket   | 5185     | 5186     | 5187     | 5188     |
| 22   | Side burner frame RH   | 5191     | 5191     | 5191     | 5191     |
| 23   | Side burner frame LH   | 5189     | 5189     | 5189     | 5189     |
| 24   | Side bracket RH  | 5206     | 5206     | 5206     | 5206     |
| 25   | Side bracket LH  | 5205     | 5205     | 5205     | 5205     |
| 26   | Economiser screen pin  | 6034 x 4 | 6034 x 4 | 6034 x 6 | 6034 x 6 |
| 27   | Burner frame   | 6048     | 6049     | 6050     | 6051     |
| 29   | Control retainer bracket   | 6072     | 6072     | 6072     | 6072     |
| -    | Flare nut 1/2 NG   | 5064     | 5064     | 5064     | 5064     |
| -    | Flare nut 3/8 LPG  | 5030     | 5030     | 5030     | 5030     |
| -    | Pull cord  | 1809     | 1809     | 1809     | 1809     |
| -    | Terminal block   | 5034     | 5034     | 5034     | 5034     |
| -    | Electrode/HT lead  | 7766     | 7766     | 7766     | 7766     |