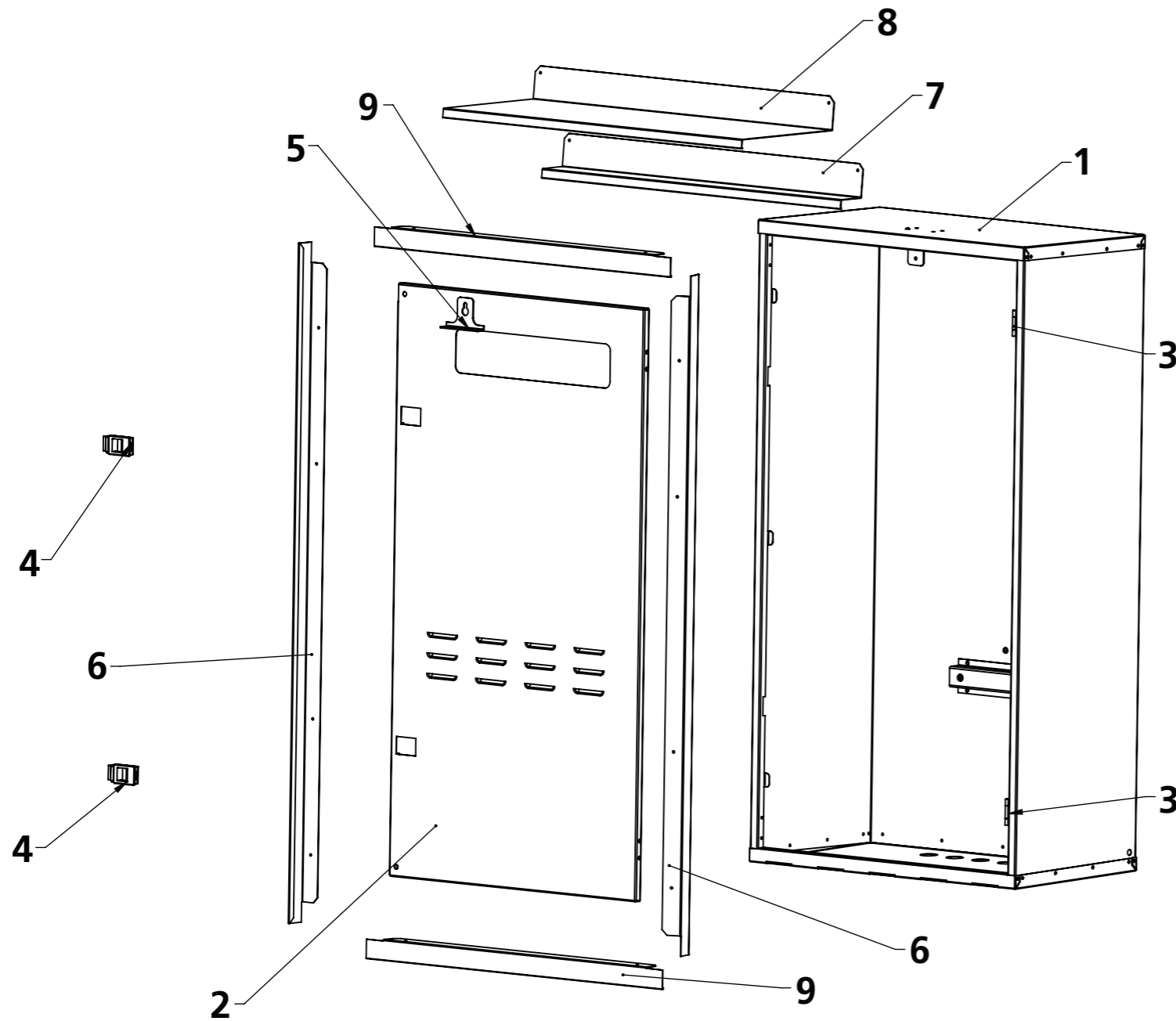


Rinnai | Recess Box R1407

This diagram is provided to assist you to identify parts if replacement is necessary. Contact your place of purchase or the manufacturer to enquire about parts, availability and/or service.



Ref.	Description	Qty.	Part No.
1	Flush mount body white	1	6110R
2	Flush mount door white	1	6109R
3	Hinge SS 1.5 x 0.75 grade 304	2	6003
4	Latch black snap-lock	2	9609
5	Bracket top keyhole short	1	6103R
6	Trim side	2	5991R
7	Trim top flashing 45 mm	1	5994R
8	Trim top flashing 200 mm	1	6112R
9	Trim top and bottom	2	5992R