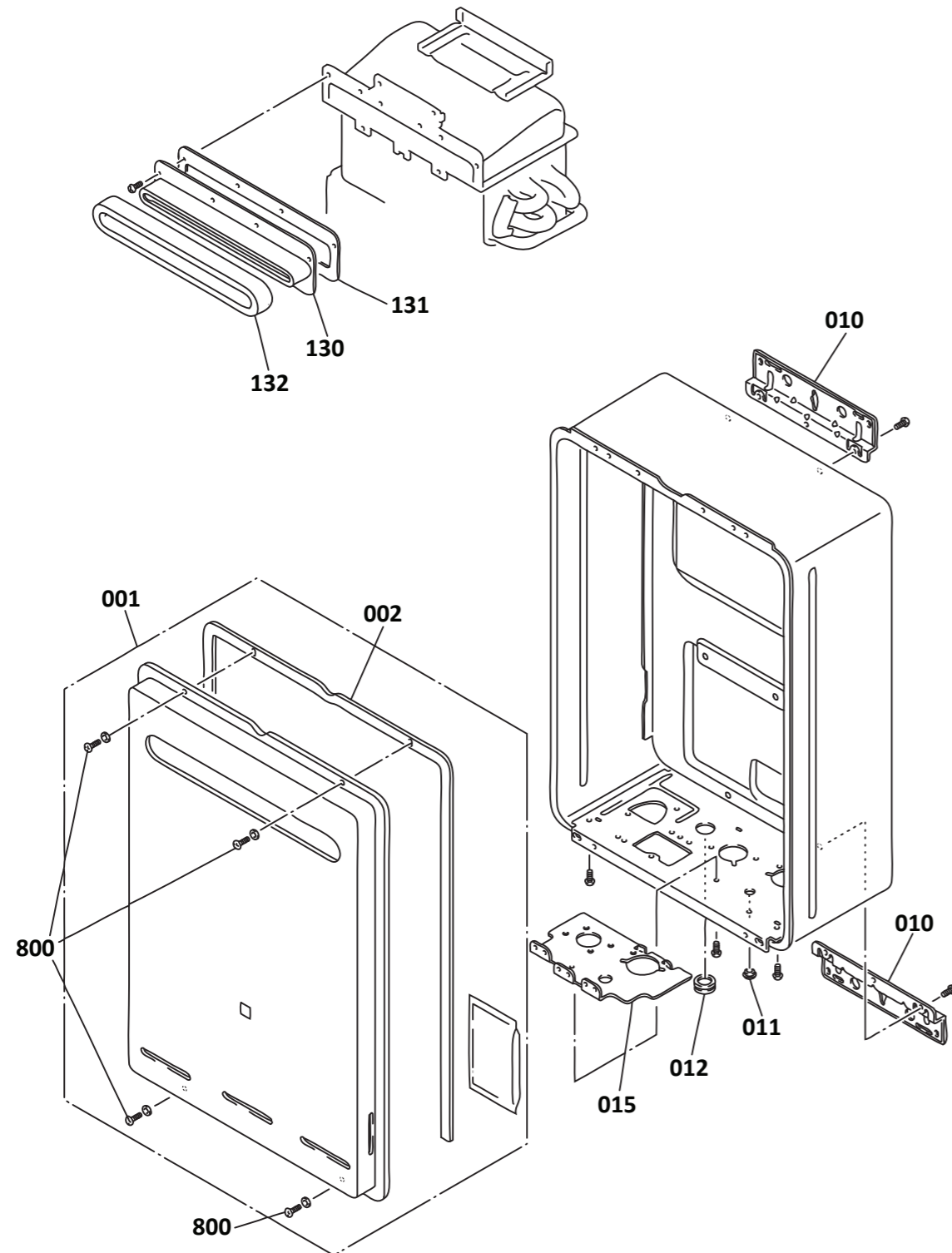


# Infinity HD200 external (REU-VM2630WC)

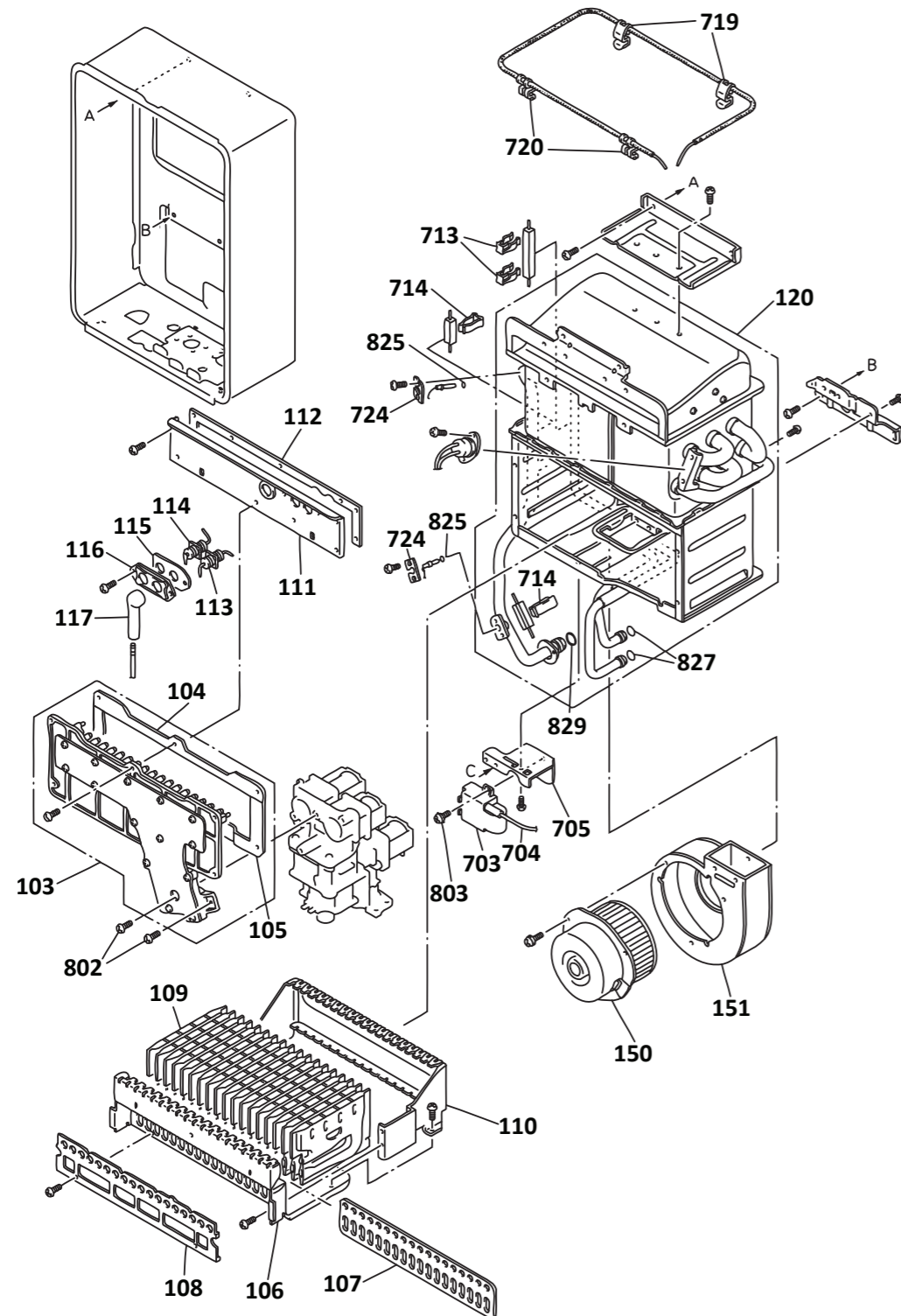
This diagram is provided to assist you to identify parts if replacement is necessary. Contact your place of purchase or the manufacturer to enquire about parts, availability and/or service.



Ref.	Description	Qty.	Part No.
SI = stocked item			
001	Front panel assembly	1	3290 (SI)
002	Front panel packing	3	2940
010	Wall bracket	2	3387 (SI)
011	Seal packing	1	2898
012	Rubber bush	1	2881
015	Connection reinforcement panel	1	2864
130	Flue outlet	1	2865
131	Flue outlet packing	1	2933
132	Main body seal packing	1	2934
800	Screw pack for front panel	1	R5040

# Infinity HD200 external (REU-VM2630WC)

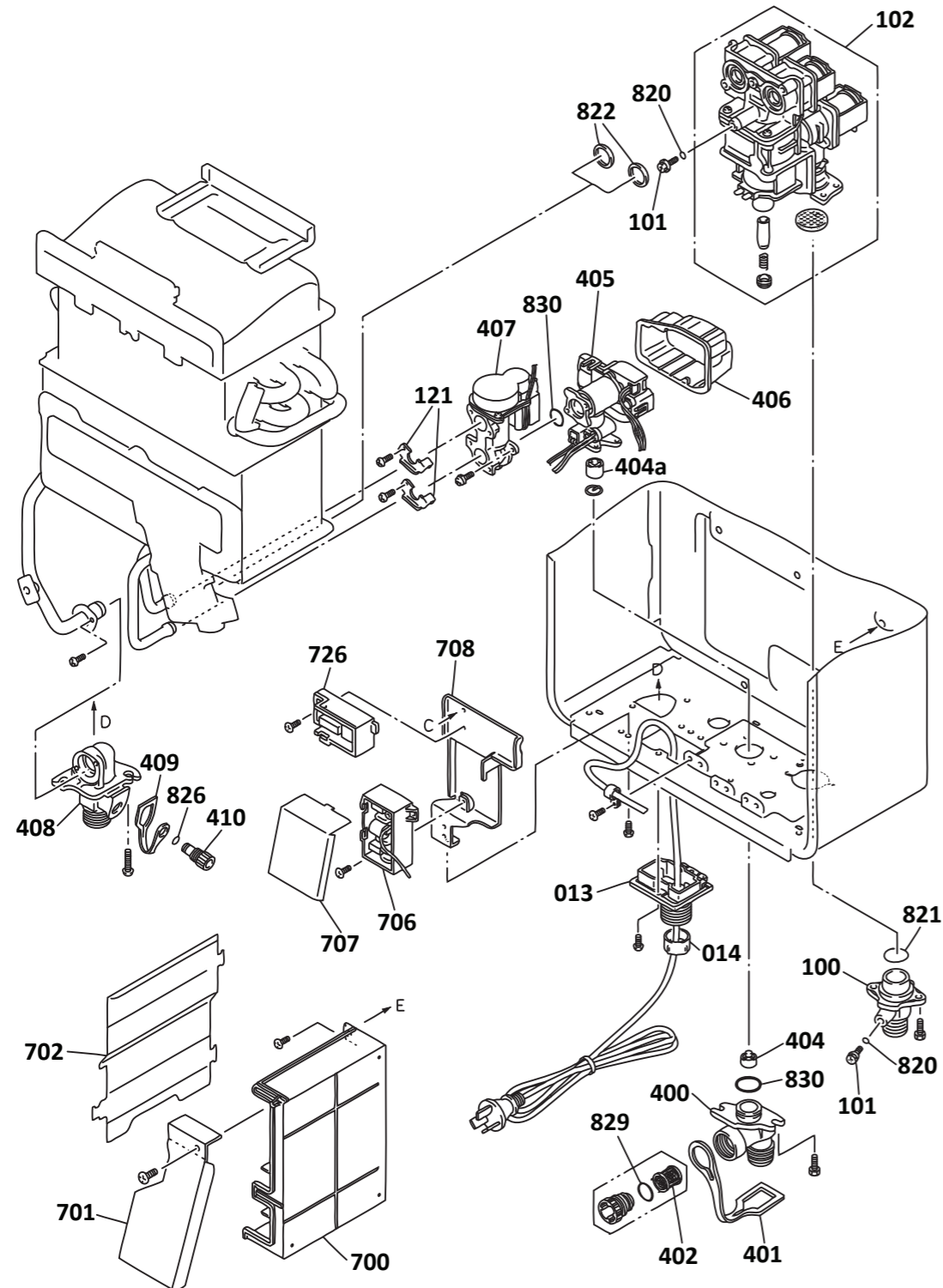
This diagram is provided to assist you to identify parts if replacement is necessary. Contact your place of purchase or the manufacturer to enquire about parts, availability and/or service.



Ref.	Description	Qty.	Part No.
SI = stocked item			
103	Manifold assembly NG	1	2876 (SI)
103	Manifold assembly LPG	1	2875 (SI)
104	Manifold packing top	1	2929
105	Manifold packing lower	1	2930
106	Burner case front	1	2867
107	Packing	1	2931
108	Damper	1	2879 (SI)
109	Lean & rich burner assembly	22	2941
111	Combustion chamber front	1	2862
112	Combustion chamber packing top	1	2932
113	Electrode	1	3445
114	Flame rod	1	4916 (SI)
115	Electrode packing	1	3465 (SI)
116	Electrode holder	1	3468 (SI)
117	Electrode sleeve	1	3475 (SI)
120	Heat exchanger assembly	1	2893 (SI)
120a	Heat exchanger high acidity assembly	1	5247 (SI)
150	Fan motor assembly	1	2883 (SI)
151	Fan casing assembly	1	2863 (SI)
703	Ignitor assembly	1	2886 (SI)
704	HT lead	1	3651 (SI)
705	Ignitor fixing plate	1	2900
713	Heater fixing plate	2	2899
714	Clip pipe 2-sided	2	3917
719	Temperature fuse fixing plate	2	3659
720	Temperature fuse fixing plate	2	4899
724	Thermistor clip	2	3882
802	Screw	3	2938
803	Tapping screw	1	2896
825	O-ring	2	3832
827	O-ring	2	4912
829	O-ring	2	1244

# Infinity HD200 external (REU-VM2630WC)

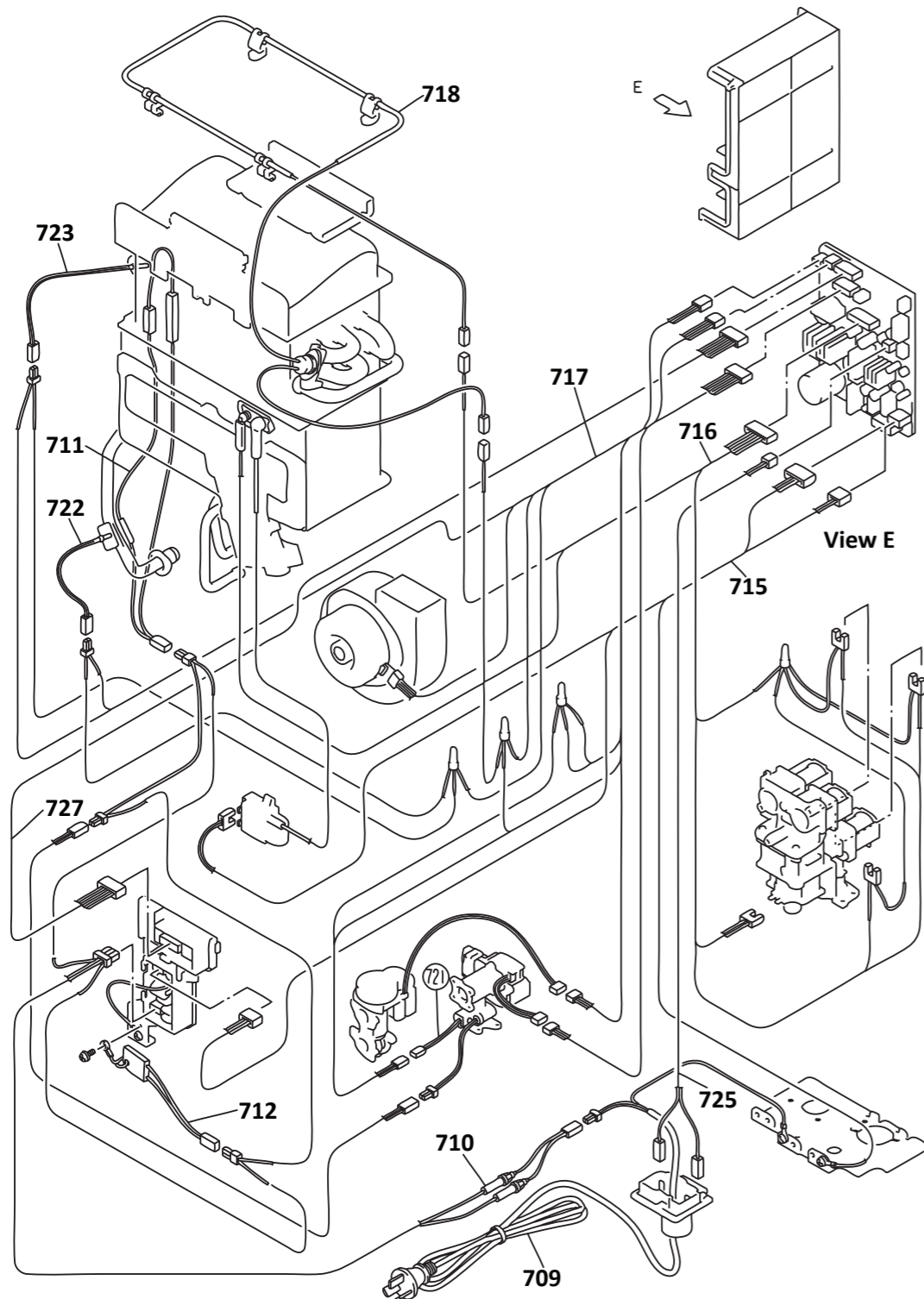
This diagram is provided to assist you to identify parts if replacement is necessary. Contact your place of purchase or the manufacturer to enquire about parts, availability and/or service.



Ref.	Description	Qty.	Part No.
SI = stocked item			
013	Quick control connection	1	2877
014	Cable seal packing	1	2928
100	Gas connection	1	3074
101	Test point screw	2	3564 (SI)
102	Gas control assembly	1	2878 (SI)
121	Fixing bracket	2	2937
400	Water inlet	1	2894
401	Plug band inlet	1	2927
402	Incoming water filter	1	3839 (SI)
404	Balancer	1	3487
404a	Water turbine	1	2850
405	Water servo & sensor LPG	1	2858 (SI)
405	Water servo & sensor NG	1	2859 (SI)
406	Water flow servo cover	1	2871
407	Bypass servo assembly	1	2892 (SI)
408	Hot water outlet	1	2895
409	Plug band hot water	1	2926
410	Pressure relief valve	1	3491
700	PCB main assembly	1	2882
701	EC cover	1	2872
702	PCB cover	1	2866
706	Surge protector	1	4930
707	Sub circuit board cover	1	2873
708	Fixing plate	1	2925
726	Status monitor assembly	1	2853
820	O-ring	2	2239 (SI)
821	Gas inlet o-ring	1	3837
822	Packing	2	3773
826	O-ring	1	1031
829	O-ring	2	1244
830	O-ring	2	3627

# Infinity HD200 external (REU-VM2630WC)

This diagram is provided to assist you to identify parts if replacement is necessary. Contact your place of purchase or the manufacturer to enquire about parts, availability and/or service.



Ref.	Description	Qty.	Part No.
SI = stocked item			
709	Power cord	1	3526
710	Fuse harness LPG	1	2855 (SI)
710	Fuse harness NG	1	2854 (SI)
711	Valve heater assembly	1	4900
712	Frost sense switch	1	3358
715	Electric power harness	1	2888
716	Magnet valve harness	1	2889
717	Sensor harness	1	2890
718	Thermal fuse harness	1	2887 (SI)
-	MR sensor	1	3771
722	Thermistor	1	2884 (SI)
723	Thermistor	1	2885 (SI)
725	Remote controller harness	1	2891
727	Status monitor harness	1	2857