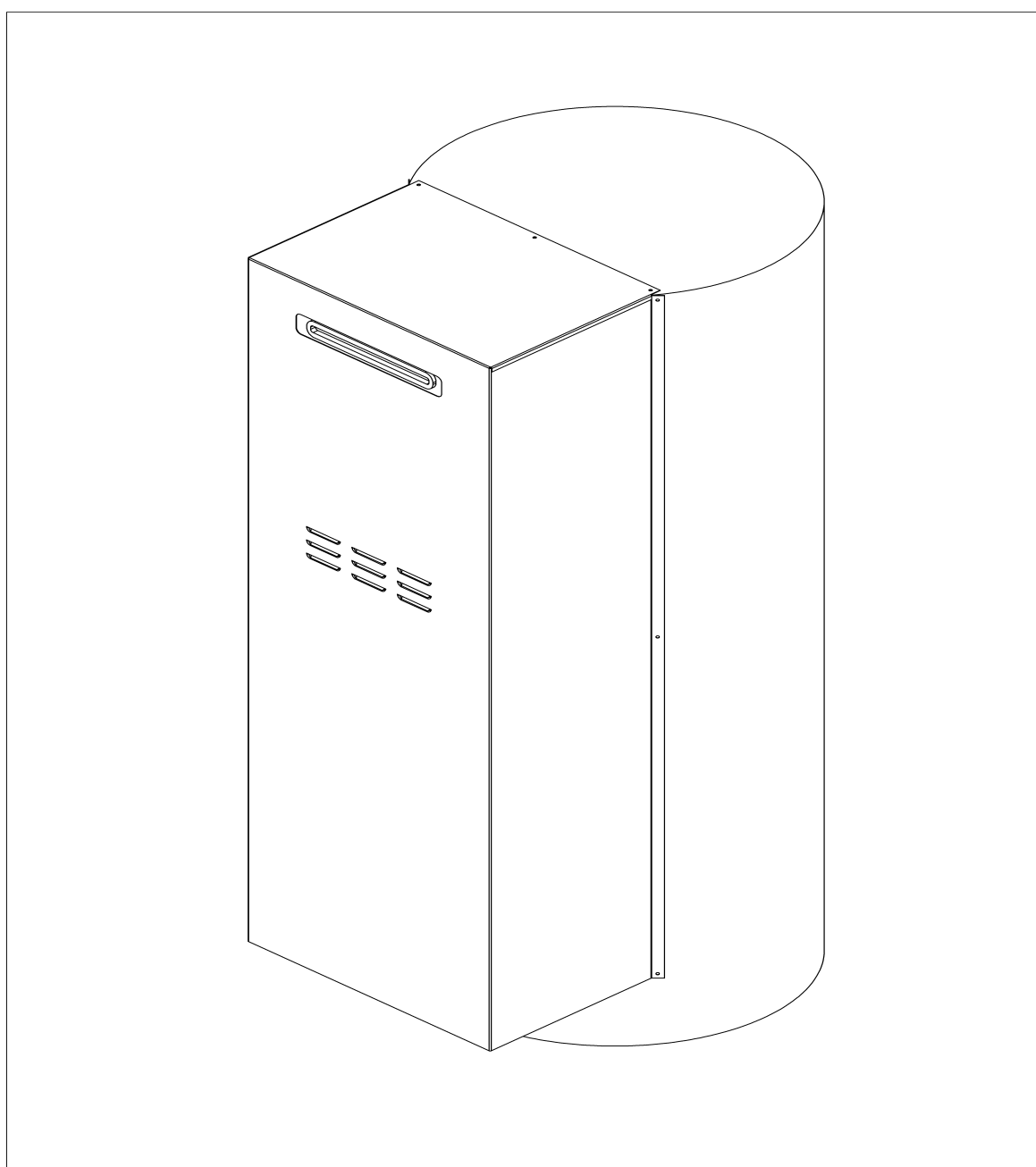


Rinnai

Continuum

HV SERIES 1



Important

This appliance shall be fitted in accordance with:

- Manufactures installation instructions.
- Local Gas fitting regulations.
- Municipal Building codes.
- AGA Gas installation Code AG601 – NZ 5261.
- Any other relevant statutory regulation.
- This appliance must only be installed, serviced and removed by an authorised licensed person.
- For service please contact **0800 RINNAI** (0800 746624) for your closest service Centre.
- This appliance must always have seismic restraints.

Installation

Positioning

The Rinnai Continuum should be positioned so there is access to any parts that may need servicing. It should be possible to remove the appliance at a later stage without altering the structure of the building.

If the water heater is remotely fitted then it should be positioned as close to the unit as practicable to ensure minimum heat loss.

The tank must always be restrained with seismic restraints as per NZ5261 and the local building codes.

The Appliance should always be installed to the applicable codes and suggested siting positions can be found on the next page.

Temperature & pressure relief valves

The appliance is fitted with temperature and pressure relief valves that are rated for the Rinnai continuum (**external model only**). For remote usage the pressure and temperature relief valves should be sized and fitted according to the heat input of the Infinity water heaters. The relief should be as short as possible and grade continually to drain without restriction.

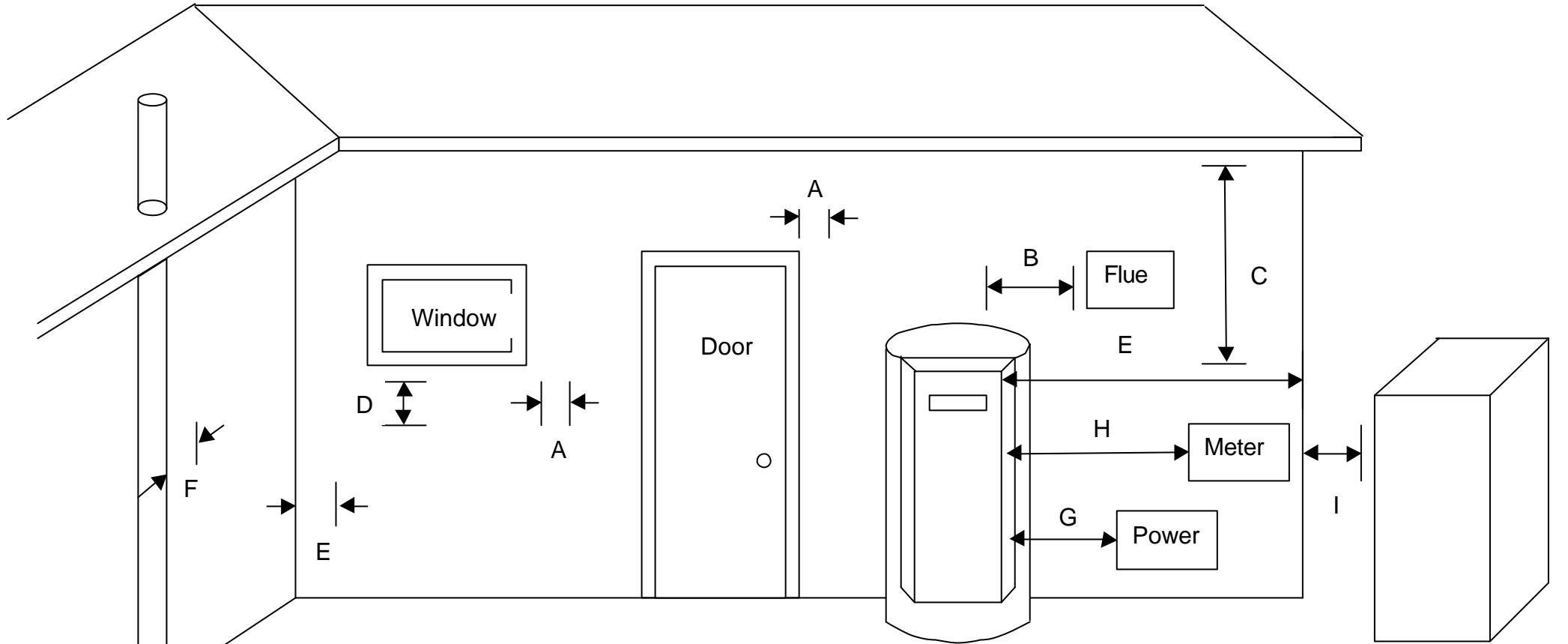
Cold water supply

The cold water inlet to the Rinnai Continuum should be a minimum of 150kPa and not exceed 500kPa. If the water pressure is in excess of 500kPa then a pressure reducing valve should be fitted. A stopcock, pressure limiting valve, line strainer, cold water expansion valve and non-return valve are required for all installations of the continuum.

Appliance connections

Primary flow and returns are 20mm-bsp female connections and the secondary flow and returns are 50mm-bsp female connections, which can be bushed down or capped as required. Both the hot water outlet on the top of the cylinder and cold water inlet are 50mm-bsp female connections.

Positioning your Rinnai Continuum



- A - 500mm minimum horizontally from an operable window, door, non-mechanical air inlet or any other opening into a building.
- B - 500mm minimum from any other flue terminal or combustion air intake.
- C - 300mm minimum below eaves, balconies or other projections.
- D - 1500mm minimum vertically below an operable window, non-mechanical air inlet or any other opening into a building.
- E - 500mm minimum from a return or external corner.
- F - 150mm minimum from a drain or soil pipe.
- G - 500mm minimum from an electricity meter or fuse box.
- H - 1000mm minimum from a gas meter, 1500mm from LPG gas bottles
- I - 500mm minimum from a neighbouring structure or obstruction facing the terminal

Pipe sizing

Pipe sizing for both gas and water should be in accordance with NZ 5261

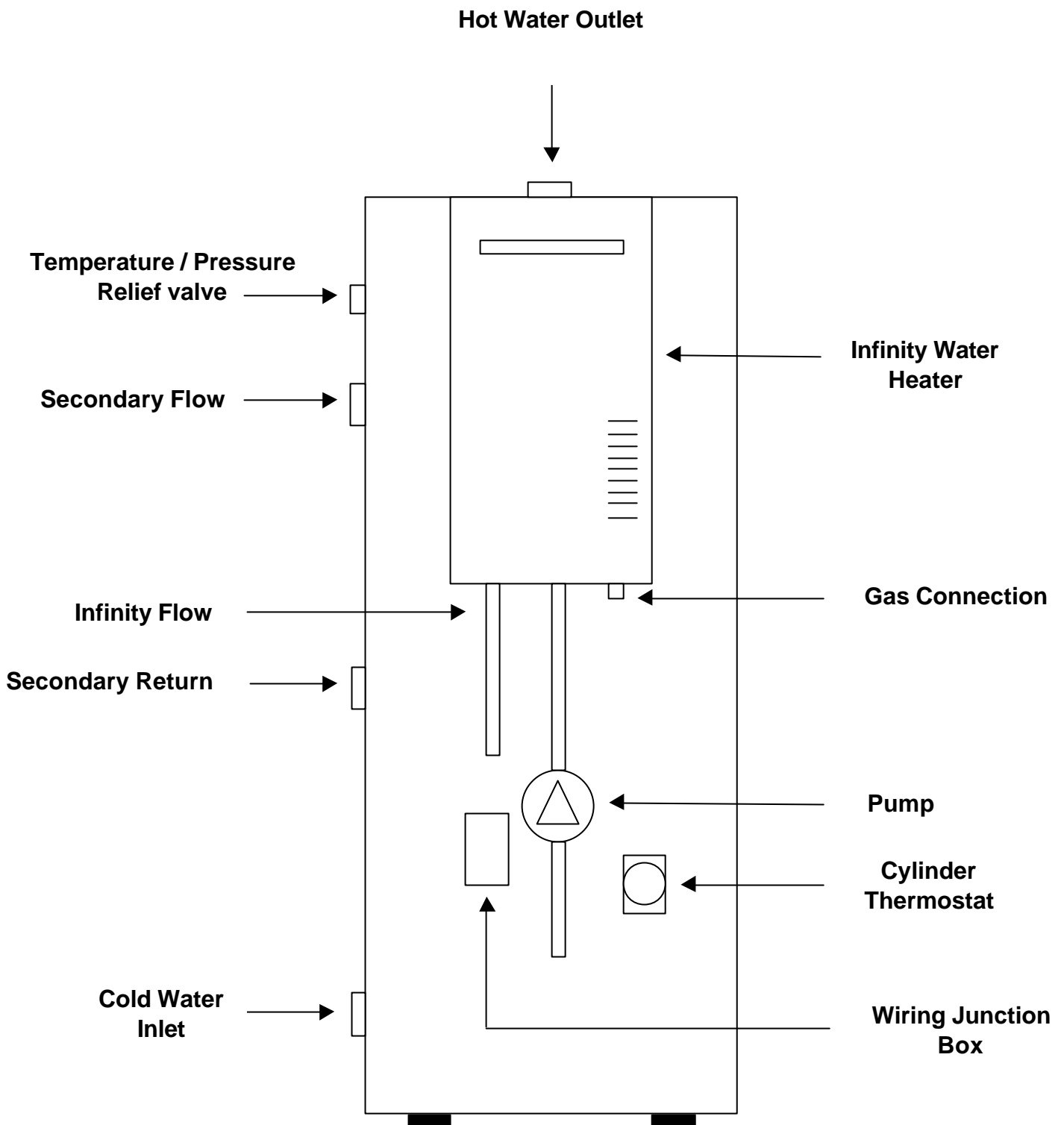
Power connection

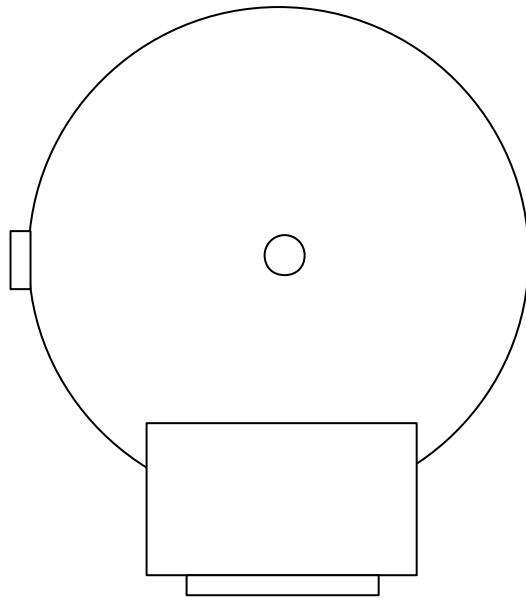
The Rinnai Continuum requires a 230 volt 10 amp supply. This will be in the form of an approved external fitted waterproof electrical socket. This appliance must not be hard wired.

The socket must be located not more than one metre from the appliance.

RINNAI CONTINUUM HV SERIES HOT WATER HEATING SYSTEMS				
Model	CONHV 250E	CONHV 250 I	CONHV 330E	CONHV 330 I
Cylinder location	External	Internal	External	Internal
Storage Capacity (litres)	250	250	330	330
Infinity model	Infinity 22 NG/LPG			
Infinity 24 Input MJ	188			
Infinity 24 Input kW	52			
1st hour delivery at 50 degree rise	945		1017	
2nd hour delivery at 50 degree rise	720			
Continuous delivery at 50 degree rise	720			
Cylinder recovery time at 50 Degree rise	21		28	
Pump supplied	Yes			
Thermostat supplied	Yes			
Thermostat range	60-85 degrees			
Water flow rates	1st Hour	Continuous	1st Hour	Continuous
Water flow at 40 degree rise	1125	900	1197	900
Water flow at 45 degree rise	1025	800	1097	800
Water flow at 50 degree rise	945	720	1017	720
Water flow at 55 degree rise	880	655	952	655
Water flow at 60 degree rise	825	600	897	600
Cylinder Construction	2205 Duplex Stainless Steel			
Weight of Tank - dry (kg)	65		76	
Weight of Tank - full (kg)	315		406	
Diameter of Cylinder	560		610	
Height of Cylinder	1540		1715	
Maximum Cylinder Pressure (kPa)	850			
Cold Water Pressure - min kPa	150			
Cold Water Pressure - max kPa	500			
TPR valves included	Yes		(external model only)	
Power Supply (volts / amps)	230/10			
Gas supply pressure	1.5 - 5.0 kPa			
Gas connection to the Infinity	R3/4 20mm			
water inlet to the cylinder	50mm			
water outlet from the cylinder	50mm			
Options:	Larger size cylinders can be supplied for specific applications			

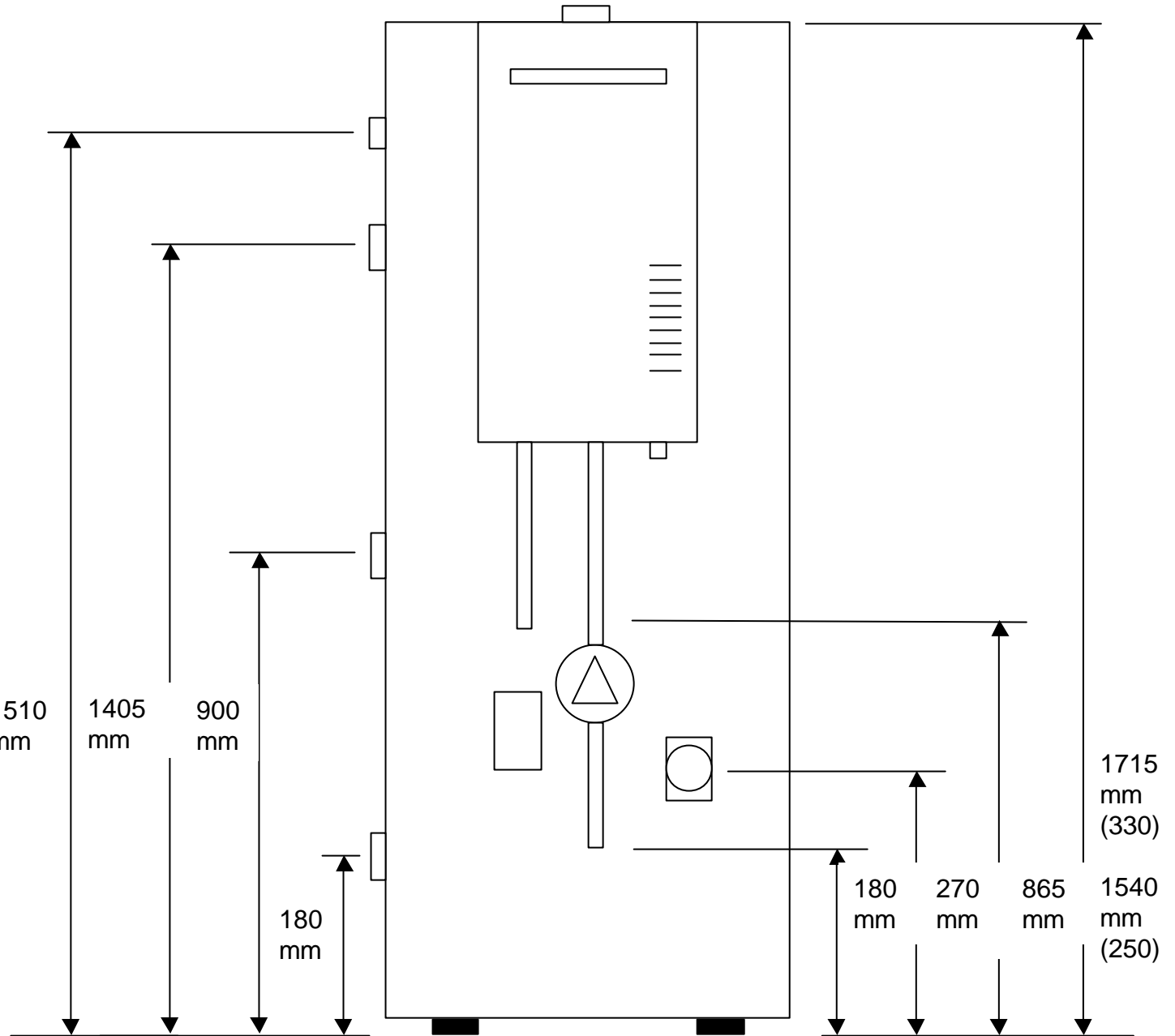
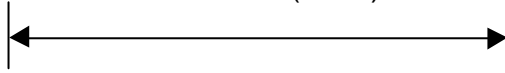
Rinnai Continuum





900 mm

560 mm (250L)
610 mm (330L)



1510 mm

1405 mm

900 mm

180 mm

1715 mm
(330)

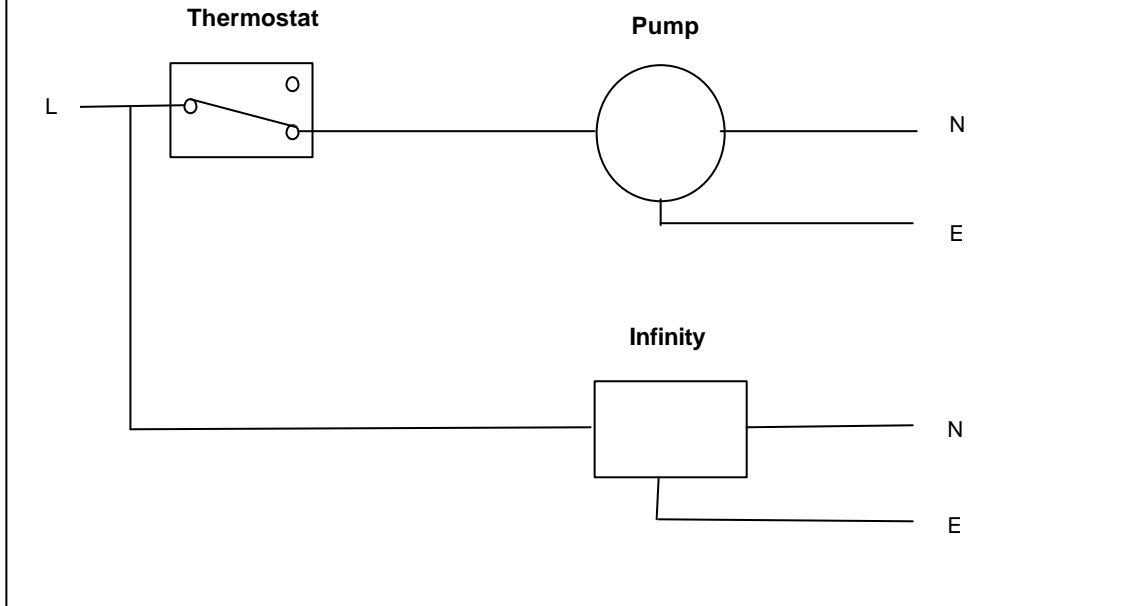
180 mm

270 mm

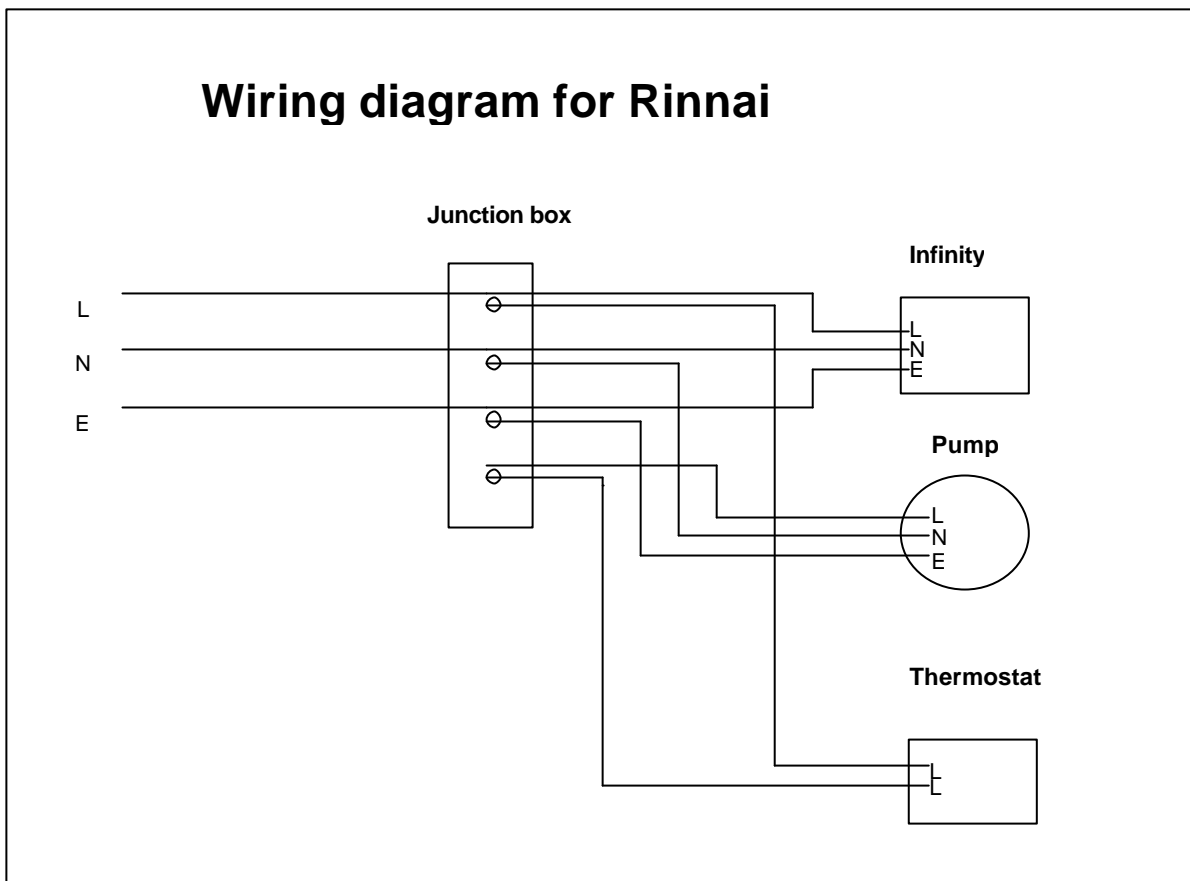
865 mm

1540 mm
(250)

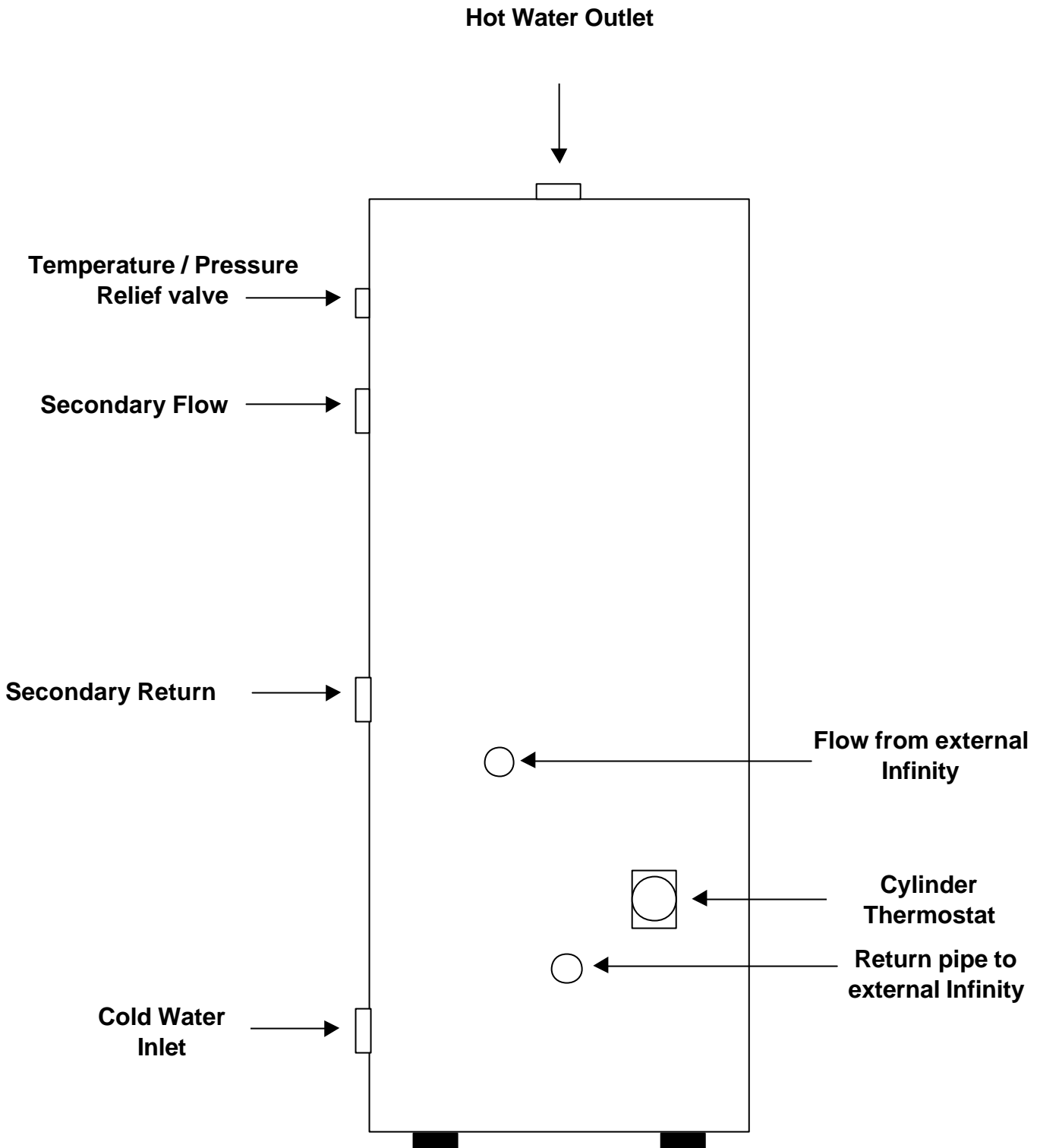
Schematic diagram for Rinnai Continuum



Wiring diagram for Rinnai



Internal Rinnai Continuum



Warranty for the Rinnai Continuum Water Heating Systems.

The benefits conferred by this are in addition to all other rights and remedies in respect of the product, which you have under the Consumer guarantees Act or any other legislation. Given installation is in accordance with the manufactures specification, this appliance is warranted by Rinnai New Zealand for the cost of labour and components in the event of defects arising from faulty materials /or workmanship with the ensuing warranty conditions.

Installation

Your water heater installation must be in compliance with the Building Regulations and the Gas Appliance Installation Code NZS 5261.

Maintained in accordance with the instructions.

Water quality remains within the quality standards listed in the Installation instructions.

Warranty Exclusions

The warranty does not cover damages caused by excess water pressure or any water damages caused by water leaks in the installation.

Warranty covers only the direct replacement of the faulty parts and excludes any part of the installation not supplied by Rinnai New Zealand.

Water Quality

Water that is outside the maximum recommended limits will void the warranty. If you are unsure of you water quality you need to consult your local water quality specialist.

Water Quality Table	
pH	6.5 to 8.5
Totally dissolved solids	up to 500 mg/litre
Total hardness	up to 150 mg/litre
Chlorides	up to 150 mg/litre
Magnesium	up to 7 mg/litre
Calcium	up to 15 mg/litre
Sodium	up to 125 mg/litre
Iron	up to 0.2 mg/litre

Item	Domestic		Commercial	
	Parts	Labour	Parts	Labour
Cylinder	5 years	1 years	5 years	1 year
Ancillary parts	1 year	1 year	1 year	1 year
Infinity parts	3 years	3 year	1 year	1 year
Infinity Heat Exchanger	10 years pro rata	3 years	1 year	1 year