

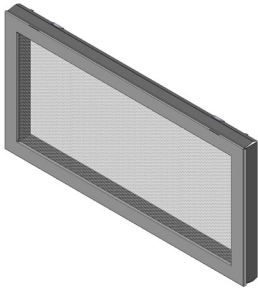
Symmetry Premium Flat/Square frame installation



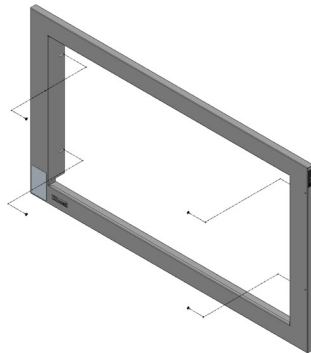
Before fitting the frames and dress guard* ensure that the:

- glass panel is not damaged in any way
- rope seal gasket is seated correctly between the glass frame and the fire
- screws holding the glass frame to the spring loaded retainers have been backed off a quarter of a turn (to prevent binding)
- glass frame moves freely on the spring loaded retainers

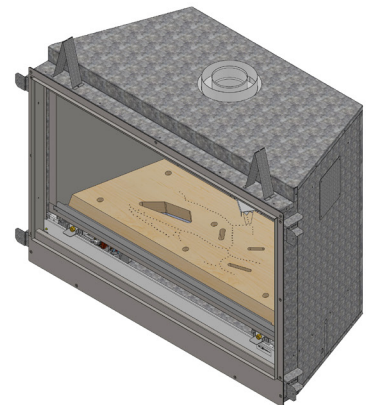
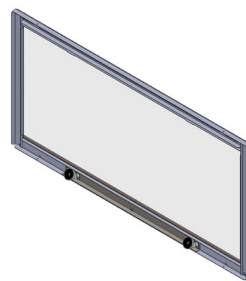
3 Flat front



1 Outer frame and CAT5 cable

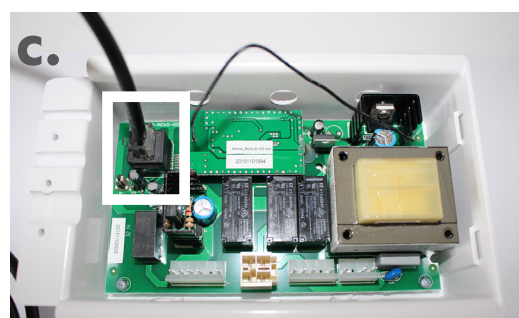


2 Glass frame



1 Outer frame and CAT5 cable

- Remove the top cover off the white PCB box.
- Disconnect the CAT5 cable from the RJ45 connector inside the PCB box.
- Connect the CAT5 cable on the manual switch, at the top right of the outer frame, directly to the PCB as shown below, and refit the PCB cover.

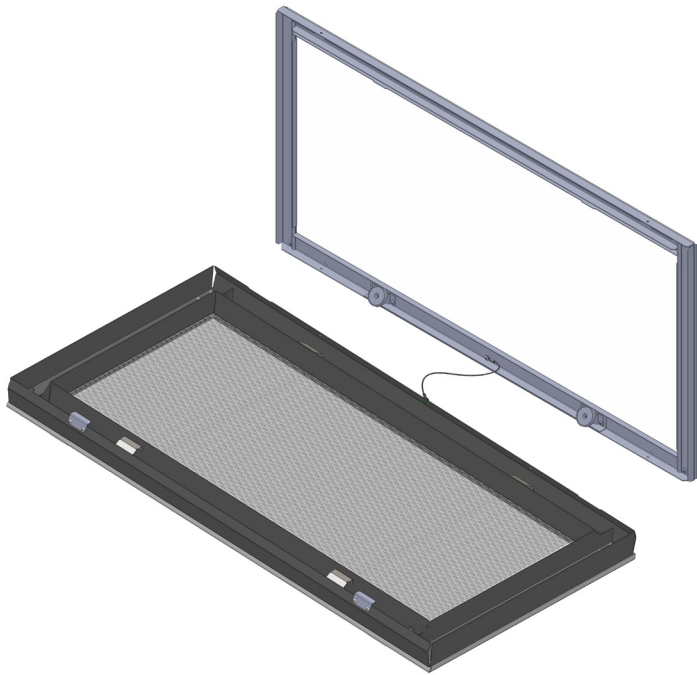


- Screw into position with the four screws provided. Cover the lower manual control switch with the blanking sticker supplied with the frame.

* Optional accessory in NZ.

2**Glass frame**

Remove the lower center screw in the glass frame and fit the free end of the wire lanyard as shown below.

**3****Inner flat/square frame**

Fit the front so that the two top hooks are located over the top of the glass frame, and the front sits against the magnets at the bottom of the frame.

When properly installed the front will swing out from the magnets and stop when the lanyard becomes taut. When fitted the lanyard should be hidden in the channel between the front and the glass frame.

