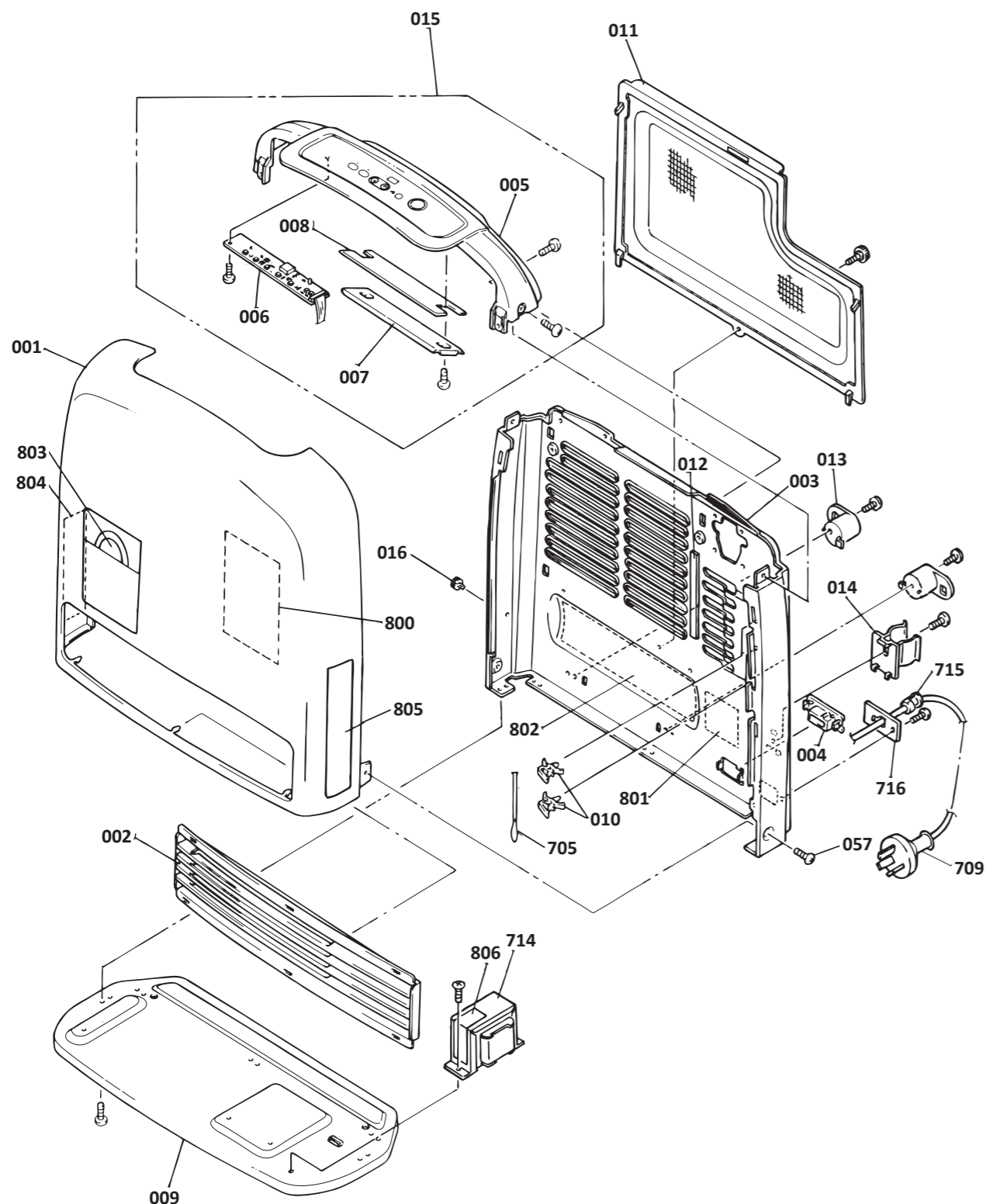
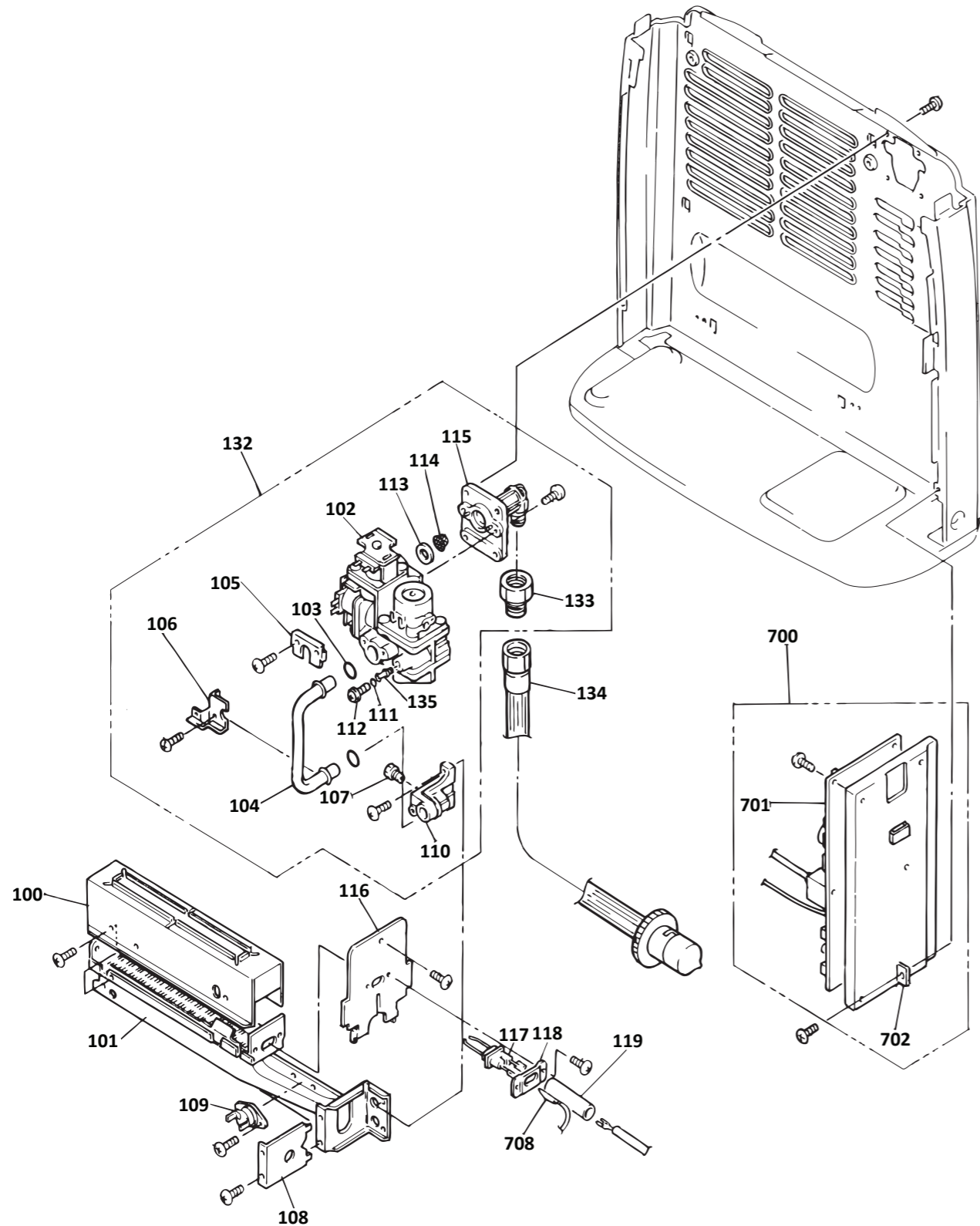


This diagram is provided to assist you to identify parts if replacement is necessary. Contact your place of purchase or the manufacturer to enquire about parts, availability and/or service.



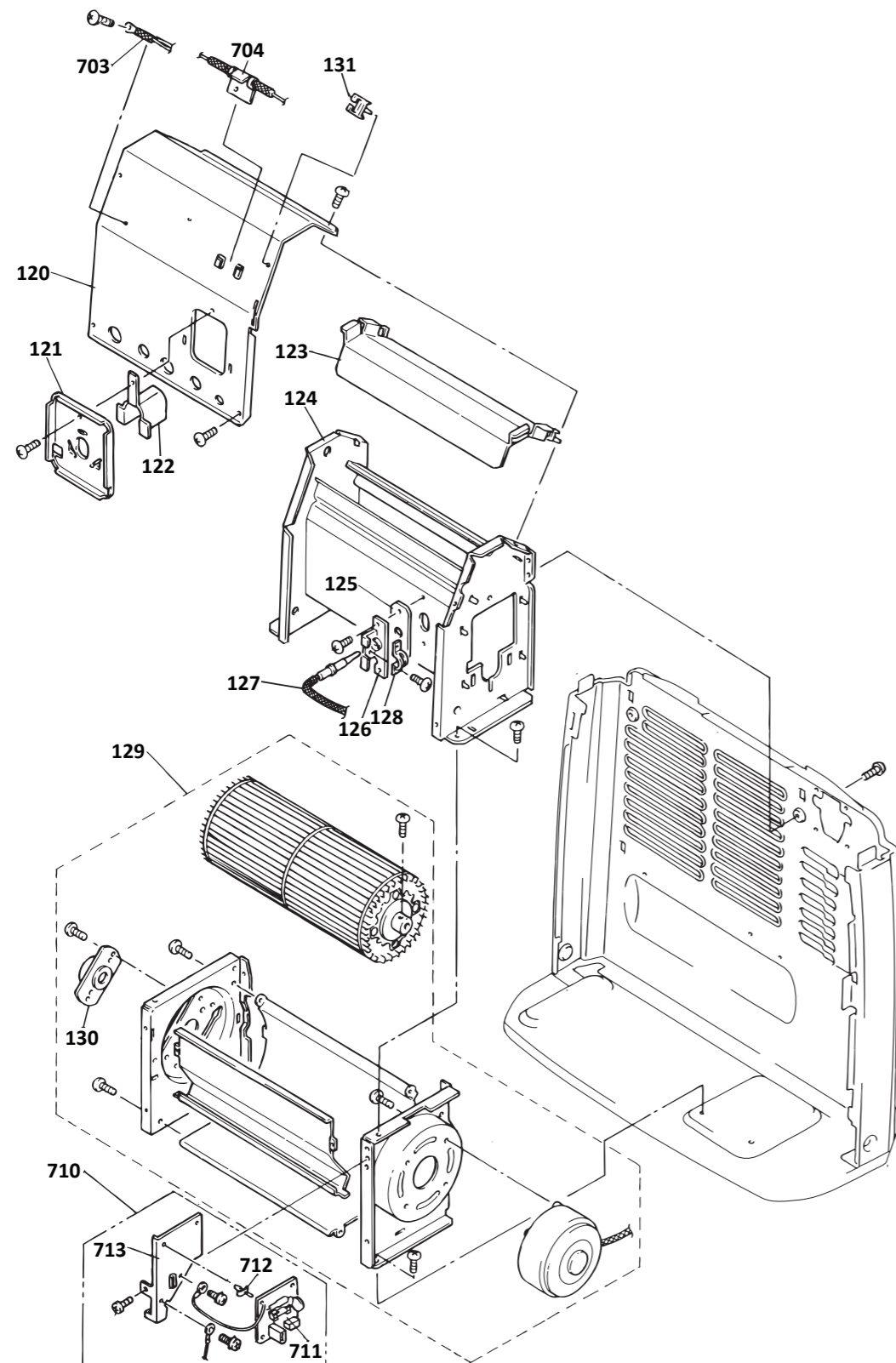
Ref.	Description	Qty.	Part No.
001	Front panel	1	2371
002	Louvre assembly	1	2372
003	Rear panel	1	Not available
004	TC check plug	1	2375
005	Top panel	1	2376
006	Control panel PCB	1	2377
007	Top panel handle	1	2378
008	Handle packing	1	2379
009	Base	1	2380
010	Locking wire saddle clip	2	2381
011	Air filter	1	2382
012	Sealing material	1	2374
013	Power cord holder	2	1773
014	Hose clip	1	1938
015	Top panel assembly	1	2383
016	Nylon rivet - white	1	2384
705	Thermistor assembly	1	1795
709	Electrical cord assembly	1	2515
714	Transformer	1	2411
715	Electrical cord bush	1	6653
716	Electrical cord fixing plate	1	Not available
800	Wiring diagram	1	Not available
801	Data plate for export	1	Not available
802	NG/LPG gas sticker	1	Not available
803	Energy label	1	Not available
804	Heat warning label	1	Not available
805	Warning label	1	Not available
806	Electrical warning label	1	Not available

This diagram is provided to assist you to identify parts if replacement is necessary. Contact your place of purchase or the manufacturer to enquire about parts, availability and/or service.



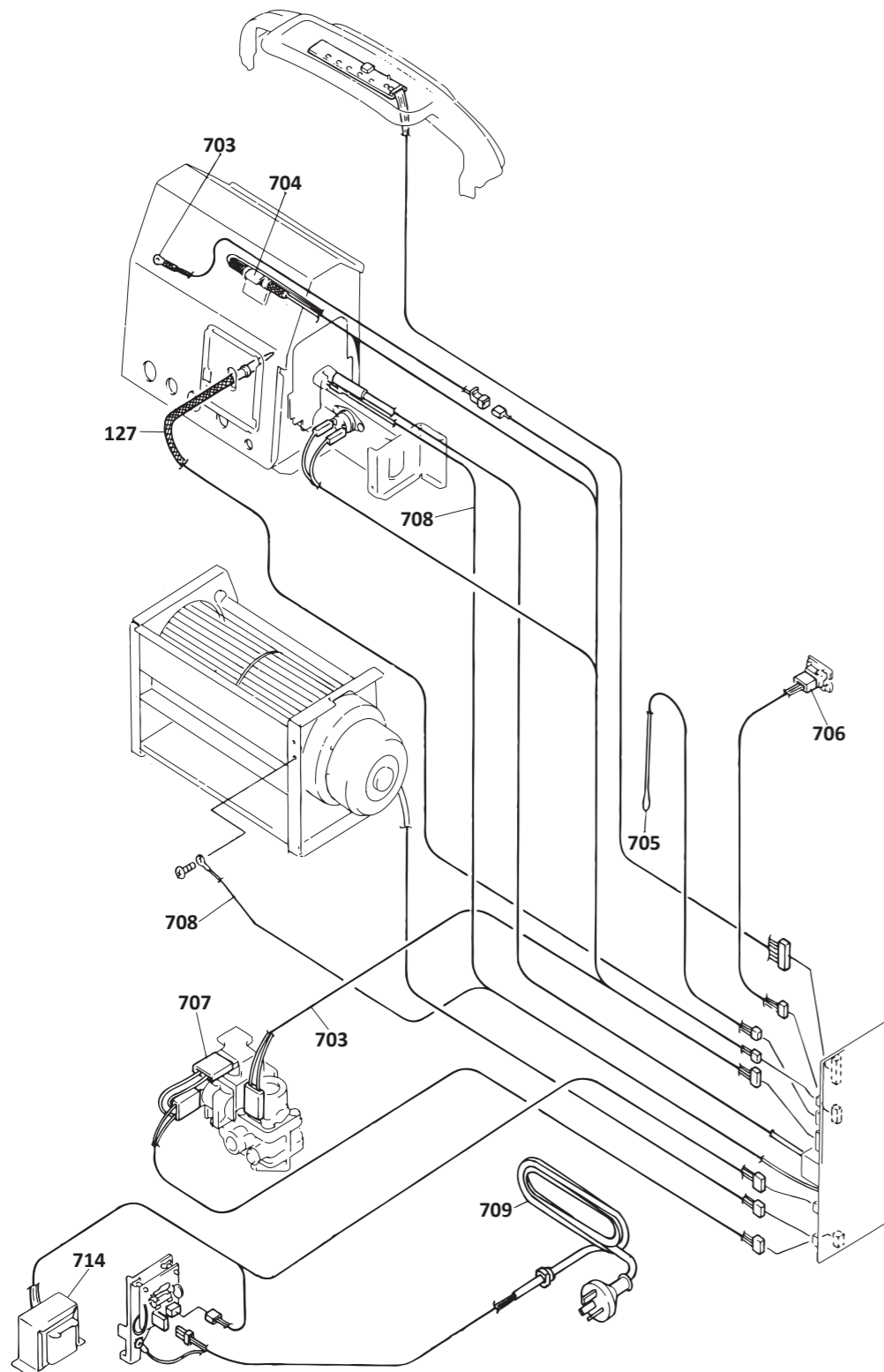
Ref.	Description	Qty.	Part No.
100	Secondary air cover	1	2385
101	Burner assembly NG	1	2386
101	Burner assembly LPG	1	2387
102	Modulating solenoid assembly	1	2388
103	O-ring	2	2389
104	Gas supply connection tube	1	2390
105	Connection tube clip B	1	2391
106	Connection tube clip	1	2392
107	Main injector LPG	1	2393
107	Main injector NG	1	2394
108	Restrictor NG	1	2395
108	Restrictor LPG	1	2396
109	Overheat switch	1	2397
110	Injector holder	1	2398
111	O-ring	1	2239
112	Pressure test point screw	1	Not available
113	Packing	1	Not available
114	Gas filter	1	4225
115	Gas connection L-flange	1	2414
116	Burner bunking plate	1	Not available
117	Electrode	1	2399
118	Electrode bracket	1	Not available
119	Silicon tube	1	Not available
132	Gas control complete assembly - NG	1	2403
132	Gas control complete assembly - LPG	1	2404
133	Gas inlet bush	1	Not available
134	Hose	1	R2586HM
135	Pressure test point	1	Not available
700	Main PCB unit complete assembly	1	Not available
701	Main PCB unit	1	2405
702	PCB unit fixing bracket	1	Not available
708	Earth harness	1	2409

This diagram is provided to assist you to identify parts if replacement is necessary. Contact your place of purchase or the manufacturer to enquire about parts, availability and/or service.



Ref.	Description	Qty.	Part No.
120	Combustion chamber hood	1	Not available
121	Combustion chamber hood cover	1	Not available
122	Heat shield	1	Not available
123	Divider panel B	1	Not available
124	Combustion chamber assembly	1	Not available
125	Spacer A (t1.0) refer combustion spec.	1	2412
125	Spacer B (t2.0) refer combustion spec.	1	2413
125	Spacer (t1.6) refer combustion spec.	1	Not available
126	Thermocouple fixing bracket	1	2400
127	Thermocouple complete assembly D	1	2287
128	Thermocouple clip	1	2288
129	Convection fan complete assembly	1	2402
130	Fan bearing	1	2101
131	Wire clip	1	Not available
703	OH thermistor & thermal fuse assembly	1	1874
704	Thermal fuse clip	1	Not available
710	Sub PCB complete assembly	1	2299
711	Sub PCB	1	2299
712	Circuit board spacer	4	2366
713	Sub PCB fixing bracket	1	Not available

This diagram is provided to assist you to identify parts if replacement is necessary. Contact your place of purchase or the manufacturer to enquire about parts, availability and/or service.



Ref.	Description	Qty.	Part No.
127	Thermocouple complete assembly D	1	2287
703	OH thermistor & thermal fuse assembly	1	1874
704	Thermal fuse clip	1	Not available
705	Thermistor assembly	1	1795
706	TC check lead	1	2407
707	Modulating solenoid valve harness	1	2408
708	Earth harness	1	2409
709	Electrical cord assembly	1	2515
714	Transformer	1	2411