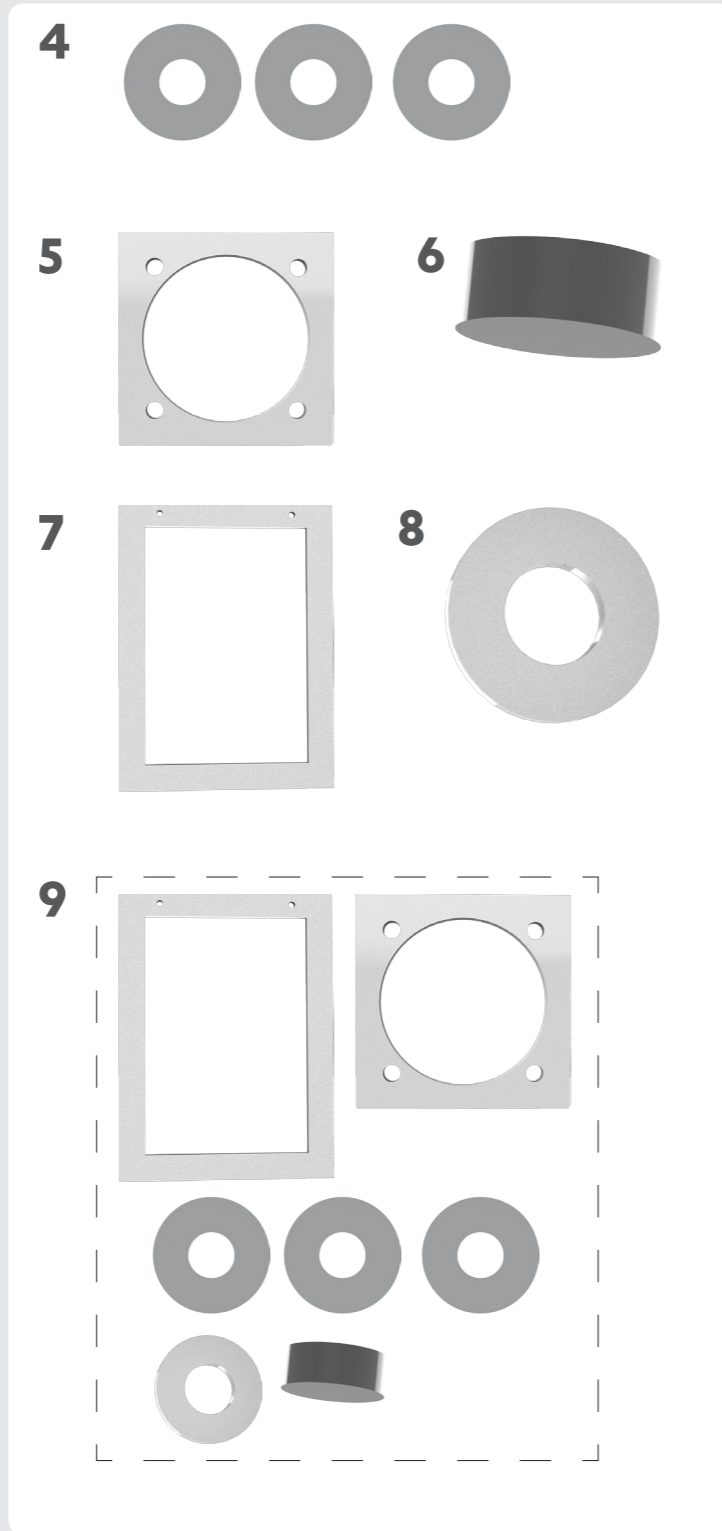
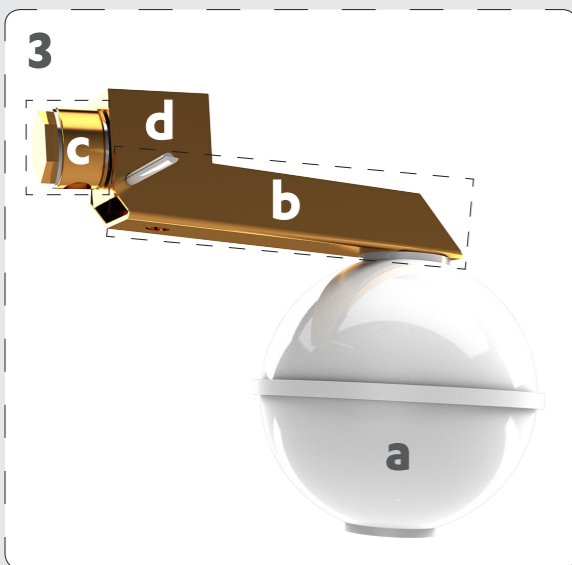
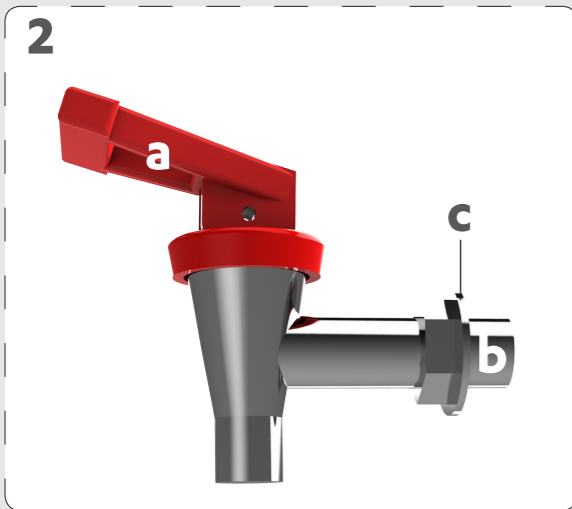
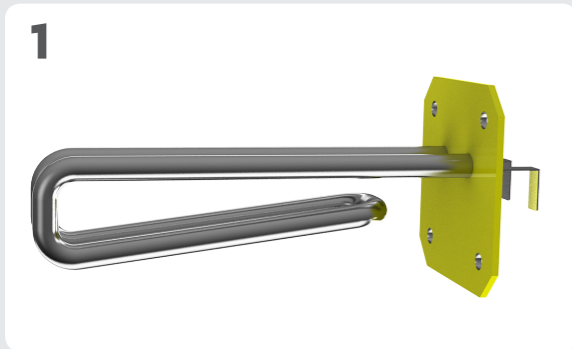


# Rinnai Boil & Brew™ spares

This information is provided to assist you to identify parts if replacement is necessary. Contact your place of purchase or the manufacturer to enquire about parts, availability and/or service.

**N.B:** Nickel plated spares are used when there are issues with brass corrosion



Elements		Part number
1	Element 2 kW	BELO04
1	Element 2 kW nickel plated	BELO04NP
1	Element 2.4 kW	BELO05
1	Element 2.4 kW nickel plated	BELO05NP
1	Element 3 kW	BELO06
1	Element 3 kW nickel plated	BELO06NP
<b>Tap</b>		
2	Urn tap complete incl. tail	BMT002
2a	Urn tap top plastic	BMT001
2b	Urn tap diaphragm	BMT003
2c	Urn tap backnut washer	BMT009
<b>Ballcock</b>		
3	Ballcock assembly complete	BMT015
3	Ballcock assembly complete nickel plated	BMT015NP
3a	Ballcock float	BMT010
3b	Ballcock float arm assembly (contains; float arm, split pin, ballcock valve seal 8 mm)	BMT008
3b	Ballcock float arm assembly nickel plated	BMT008NP
3c	Ballcock transfer bolt and washers	BMT018
3c	Ballcock transfer bolt and washers nickel plated	BMT018NP
3d	Ballcock block	BMT013
3d	Ballcock block nickel plated	BMT013NP
4	Ballcock washer 3/4" x 3	BMT011
5	Element gasket	BMT012
6	Ballcock valve seal 8 mm	BMT016
7	Seal white control tank	BMT019
8	Washer drain box 1/2" fibre	BMT017
9	Washer kit	BMT020
<b>Thermostats (not drawn)</b>		
-	Main thermostat	BTS007
-	Reset thermostat	BTS008
<b>Front panels (not drawn)</b>		
-	Front panel 5 L	20848
-	Front panel 10 L	20849
-	Front panel 15 L	20850
-	Front panel 25 L	20851