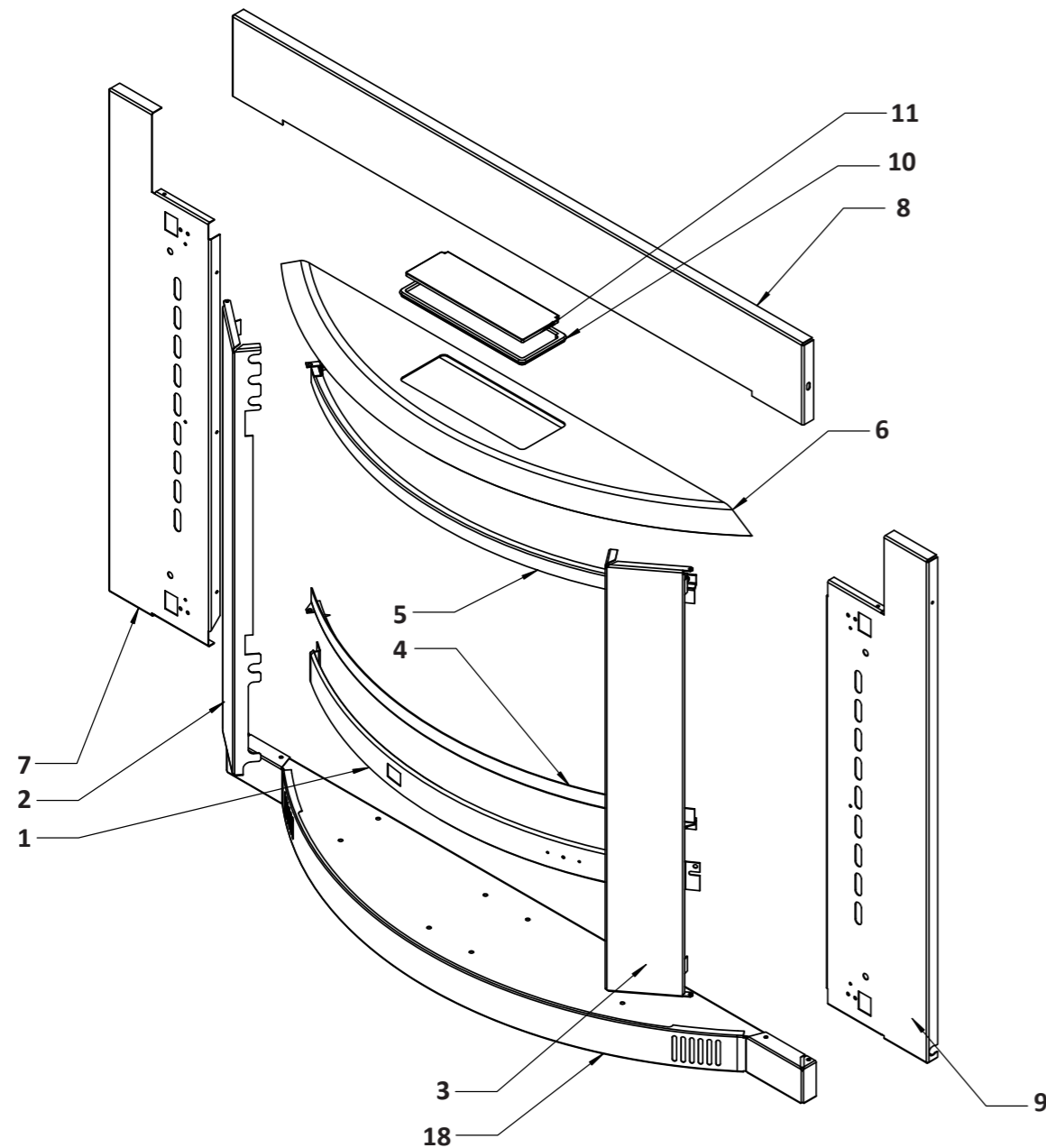


Timberflame Radius ETR (IB35ETR) gas fireplace

This diagram is provided to assist you to identify parts if replacement is necessary. Contact your place of purchase or the manufacturer to enquire about parts, availability and/or service.

Radius ETR outer painted panels



| Ref. | Description | Qty. | Part No. |
|--------------------------|---|------|-----------|
| 1 | Front panel - silver metallic | 1 | 7616SM |
| | Front panel - black satin (viper) | 1 | 7616V |
| 2 | Door LH - silver metallic | 1 | 7193SM |
| | Door LH - black satin (viper) | 1 | 7193V |
| 3 | Door RH - silver metallic | 1 | 7194SM |
| | Door RH - black satin (viper) | 1 | 7194V |
| 4 | Glass retainer bottom | 1 | 7037 |
| | Glass retainer bottom - silver | 1 | 7056S |
| 5 | Glass retainer top | 1 | 7033 |
| | Glass retainer top - silver | 1 | 7057S |
| 6 | Top panel - silver metallic | 1 | 7615SM |
| | Top panel - satin black (viper) | 1 | 7615V |
| 7 | Surround LH - silver metallic | 1 | 7191SM |
| | Surround LH - satin black (viper) | 1 | 7191V |
| 8 | Top surround panel - silver metallic | 1 | 7190SM |
| | Top surround panel - satin black (viper) | 1 | 7190V |
| 9 | Surround RH - silver metallic | 1 | 7192SM |
| | Surround RH - satin black (viper) | 1 | 7192V |
| 10 | Control unit assembly - silver metallic | 1 | 7545SM |
| | Control unit assembly | 1 | 7545 |
| 11 | Control panel lid - silver metallic | 1 | 4985SM |
| | Control panel lid | 1 | 4985 |
| 18 | Plinth zero clearance - silver metallic | 1 | R1783-1SM |
| | Plinth zero clearance - satin black (viper) | 1 | R1783-1V |
| - | Plint kit satin black (viper) | 1 | AAC1783B |
| Paint information | | | |
| | Touch-up paint silver | 1 | R1880 |
| | Touch-up paint - satin black (viper) | 1 | R1881 |

Paint supplier and code information

Silver powder coat: Rahasia silver, SP5182

Old silver: Rinnai silver, Orica 95496618

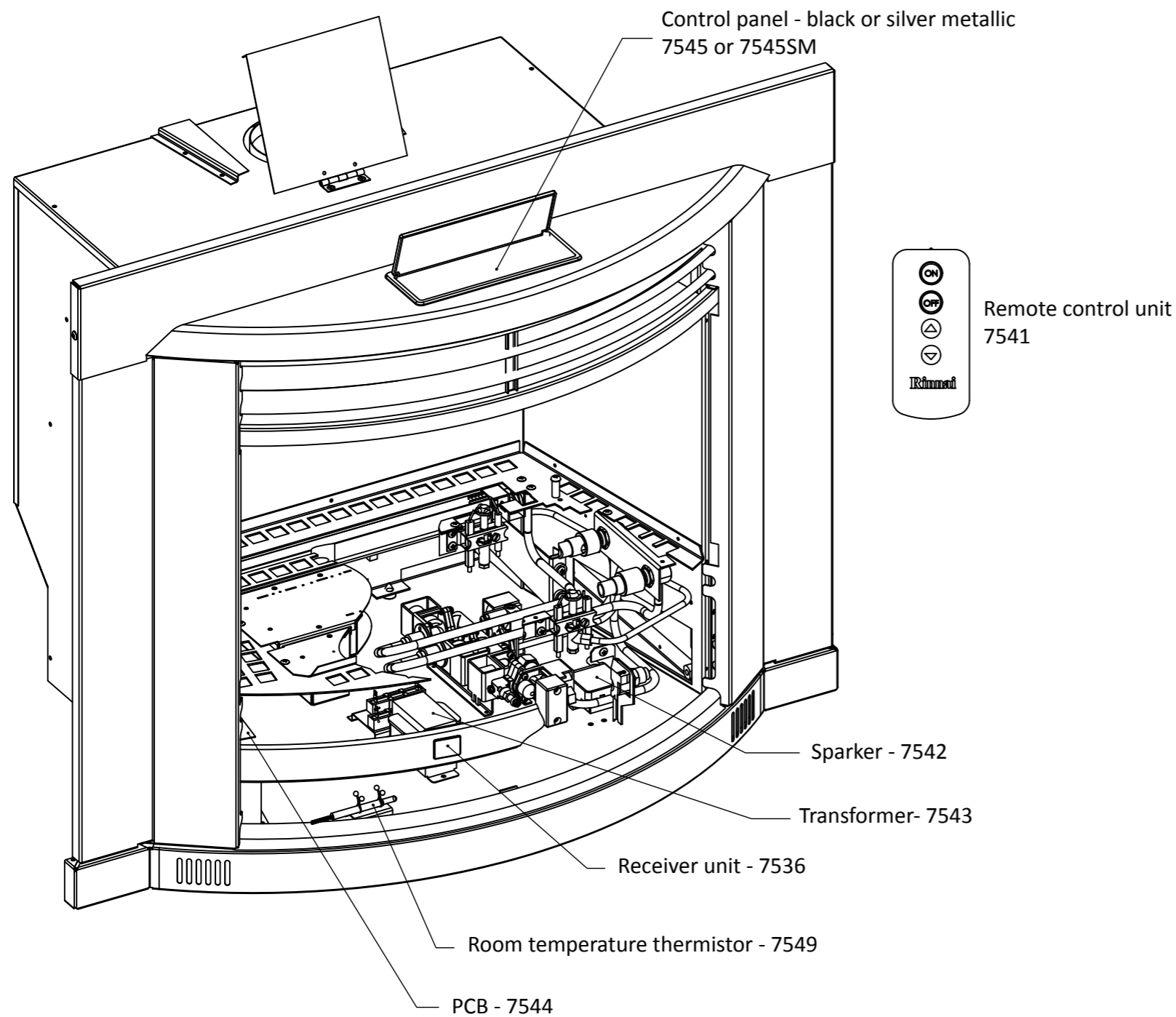
Old matt black: Black metallic, Orica 95483276

If you are seeking painted parts for older silver models (masque silver (S) and silver powder coat (SP)), please contact Rinnai Customer Services on 0800 746 624. They will be able to check stock availability for you.

Timberflame Radius ETR (IB35ETR) gas fireplace

This diagram is provided to assist you to identify parts if replacement is necessary. Contact your place of purchase or the manufacturer to enquire about parts, availability and/or service.

Radius ETR electrical components - front



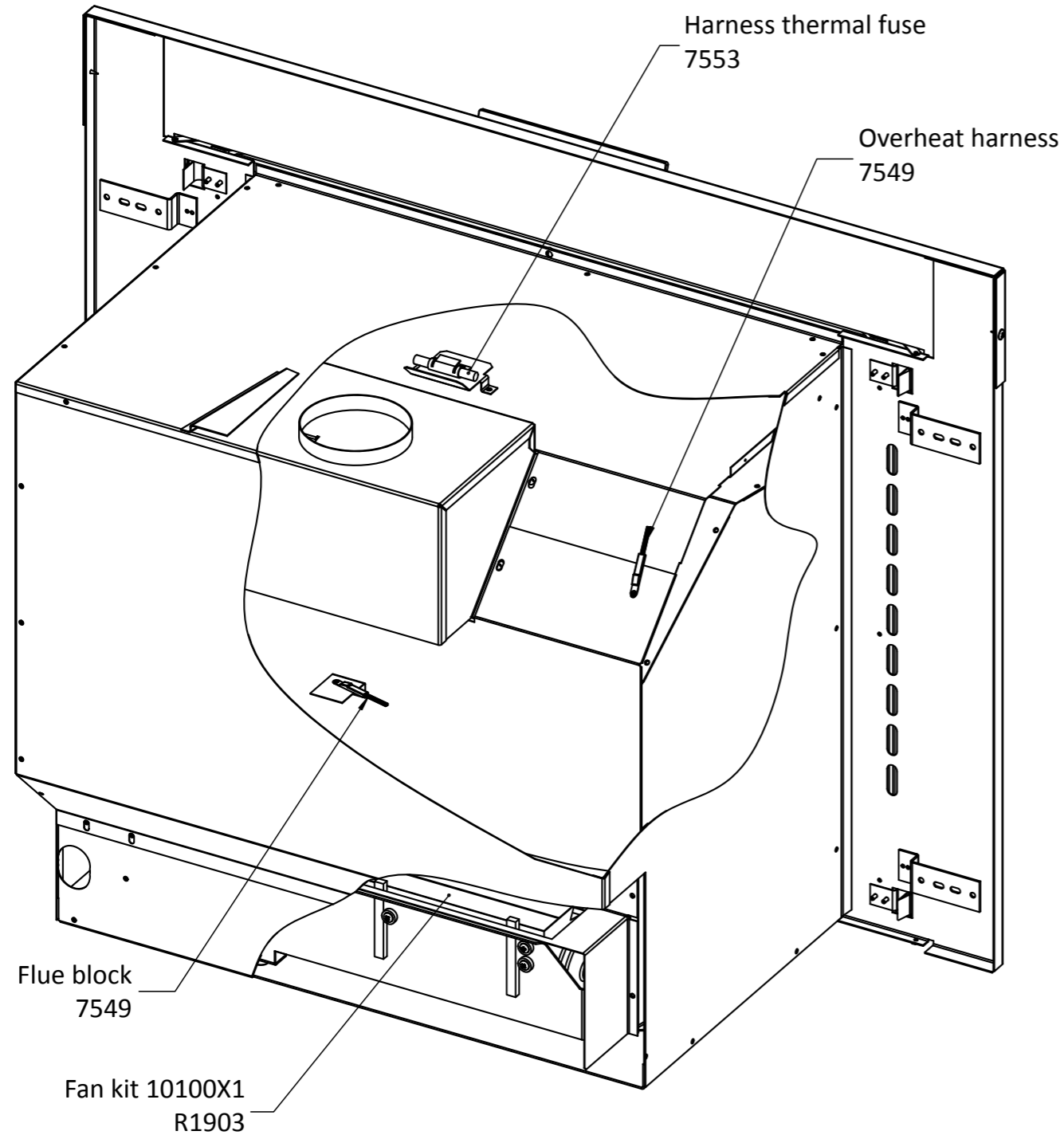
Items not shown in exploded diagram

| Description | Qty. | Part No. |
|-----------------------------|------|----------|
| Power cord uni control | 1 | 13042 |
| Universal high tension lead | 1 | R7205 |
| Main harness | 1 | 10303 |

Timberflame Radius ETR (IB35ETR) gas fireplace

This diagram is provided to assist you to identify parts if replacement is necessary. Contact your place of purchase or the manufacturer to enquire about parts, availability and/or service.

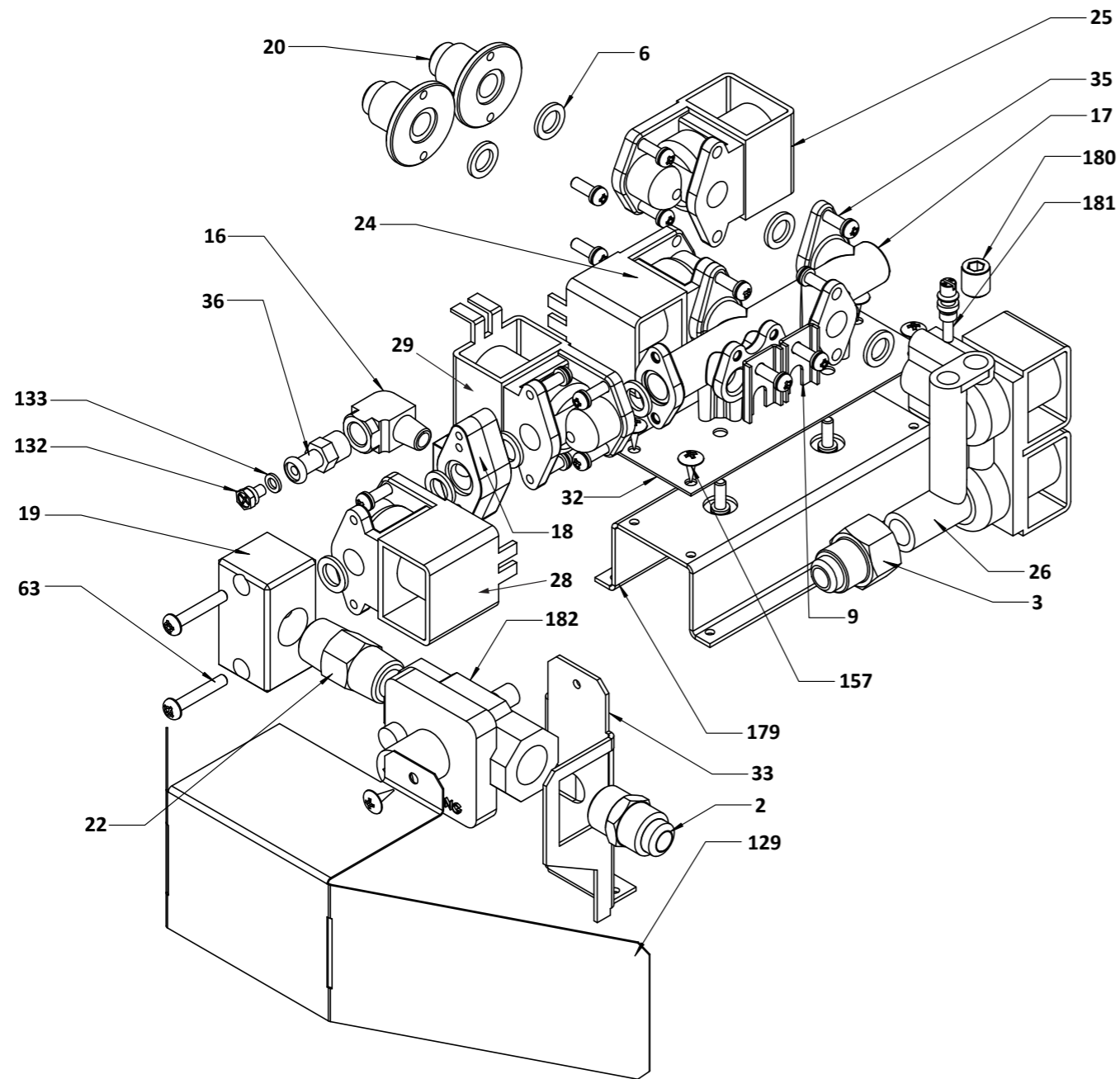
Radius ETR electrical components - back



Timberflame Radius ETR (IB35ETR) gas fireplace

This diagram is provided to assist you to identify parts if replacement is necessary. Contact your place of purchase or the manufacturer to enquire about parts, availability and/or service.

Radius ETR manifold assembly



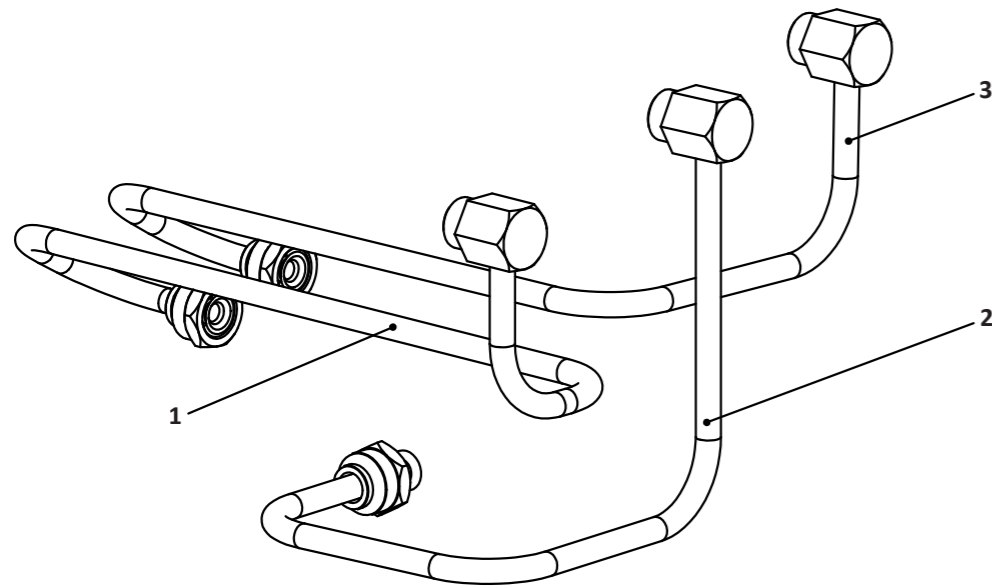
| Ref. | Description | Qty. | Part No. |
|------|--------------------------------|------|----------|
| 2 | Union body | 1 | 7031 |
| 3 | Union 3/8 | 1 | 7973 |
| 6 | Packing | 9 | 6121 |
| 9 | Gas tube retainer | 2 | 6313 |
| 16 | Elbow 1/8 inch male and female | 1 | 7452 |
| 17 | Manifold | 1 | 7454 |
| 18 | Manifold adaptor | 1 | 7455 |
| 19 | Manifold elbow | 1 | 7456 |
| 20 | Manifold tube adaptor | 2 | 7974 |
| 22 | Hex nipple 3/8 inch by 15 mm | 1 | 7523 |
| 24 | Solenoid | 1 | 7558 |
| 25 | Solenoid | 1 | 7559 |
| 26 | Manifold tube adaptor ETR | 1 | 7560 |
| 28 | Solenoid | 1 | 7555 |
| 29 | Solenoid | 1 | 7557 |
| 32 | Gas manifolding mounting plate | 1 | 7611 |
| 33 | Regulator support | 1 | 7614 |
| 35 | Screw | 20 | 9070 |
| 36 | Pressure test point | 1 | 9992 |
| 63 | Screw | 2 | 9076 |
| 129 | Protective shield | 1 | 7617-1 |
| 132 | Test point screw | 1 | 9994 |
| 133 | Test point packing | 1 | 9995 |
| 179 | Manifold mounting bracket | 1 | - |
| 180 | Plug | 1 | 6243 |
| 181 | Bypass screw LPG | 1 | 7533 |
| | Bypass screw NG | 1 | 7529 |
| 182 | Regulator NG | 1 | 7632 |
| | Regulator LPG | 1 | 7633 |

Timberflame Radius ETR (IB35ETR) gas fireplace

This diagram is provided to assist you to identify parts if replacement is necessary. Contact your place of purchase or the manufacturer to enquire about parts, availability and/or service.

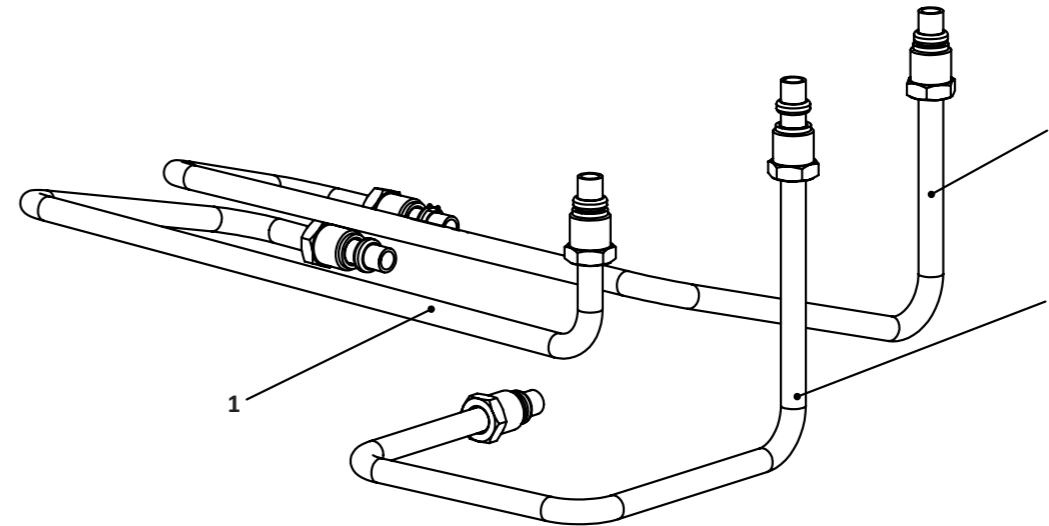
Burner supply tubes

IB35ETR up to 4th May 2004. Serial number: 8566



| Ref. | Description | Qty. | Part No. |
|-------------------|-----------------------------------|------|----------|
| 1 | Tube gas supply assembly IB35ETRA | 1 | 7580 |
| 2 | Tube gas supply assembly IB35ETRB | 1 | 7585 |
| 3 | Tube gas supply assembly IB35ETRC | 1 | 7590 |
| Not mapped | | | |
| - | O-ring pilot | 2 | 6308 |
| - | Rear pilot tube | 1 | 7595 |
| - | Front pilot tube | 1 | 7594 |

IB35ETR from 5th May 2004. Serial number: 8567

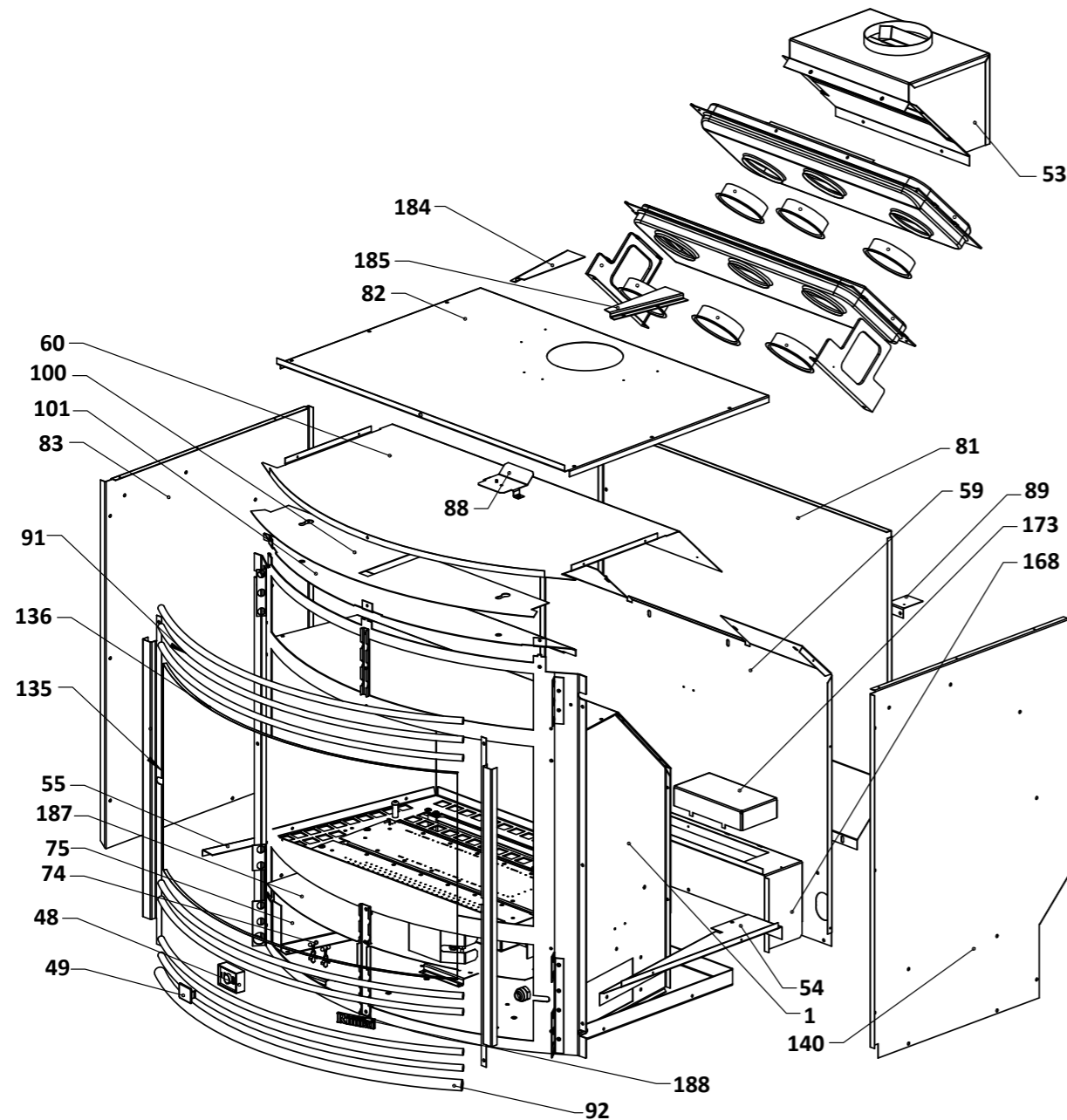


| Ref. | Description | Qty. | Part No. |
|-------------------|-----------------------------------|------|----------|
| 1 | Tube gas supply assembly IB35ETRA | 1 | 7933 |
| 2 | Tube gas supply assembly IB35ETRB | 1 | 7932 |
| 3 | Tube gas supply assembly IB35ETRC | 1 | 7931 |
| Not mapped | | | |
| - | O-ring pilot | 2 | 6308 |
| - | Rear tube pilot | 1 | 7595 |
| - | Front tube pilot | 1 | 7594 |

Timberflame Radius ETR (IB35ETR) gas fireplace

This diagram is provided to assist you to identify parts if replacement is necessary. Contact your place of purchase or the manufacturer to enquire about parts, availability and/or service.

Radius ETR panels

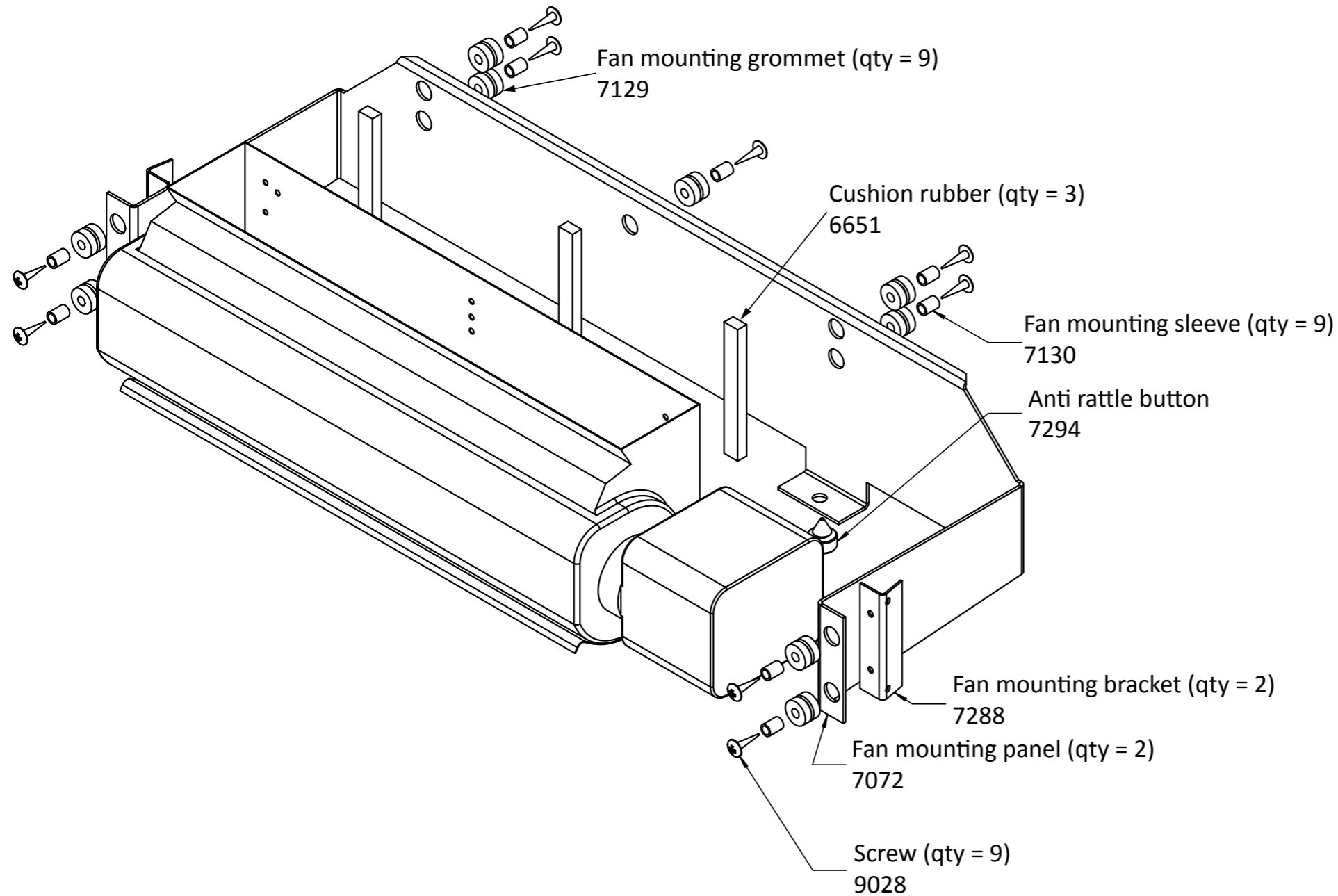


| Ref. | Description | Qty. | Part No. | Ref. | Description | Qty. | Part No. |
|------|--|------|----------|------|--|------|----------|
| 1 | Combustion chamber | 1 | 7602 | - | Flue guard | 1 | 7274 |
| 48 | Receiver unit holder | 1 | 7537 | - | Flue seal foam | 1 | 7186R |
| 49 | Receiver cover | 1 | 7539 | - | Dress guard | 1 | R1776 |
| 53 | Flue spigot assembly | 1 | 7174 | - | Fire mounting bracket | 1 | 7287 |
| 54 | Fan partition lower panel | 1 | 7202 | - | Log set c/w granules | 1 | 7044 |
| 55 | Fan dividing panel bracket | 1 | 7220 | - | Granule pack | 1 | 2544 |
| 59 | Fan partition panel | 1 | 7207 | - | Flexitube replacement kit (fires manufactured BEFORE 21/02/04) | 1 | 4988 |
| 60 | Fan guide top | 1 | 7601 | - | Flexitube 3/8 x 8 CW 3/8-18 nuts AFTER 21/02/04) | 1 | 7835 |
| 74 | Clip thermistor | 2 | 7554 | - | Zero clearance box | 1 | ACC1783 |
| 75 | PCB mounting bracket | 1 | 7596 | - | Hinge | 1 | 7216 |
| 81 | Rear panel | 1 | 10903 | | | | |
| 82 | Rear top panel | 1 | 7197 | | | | |
| 83 | Rear side panel | 1 | 7198 | | | | |
| 88 | Bracket thermal fuse | 1 | 7563 | | | | |
| 89 | Thermistor bracket rear | 1 | 7621 | | | | |
| 91 | Louvre gold | 7 | 7029 | | | | |
| 92 | Louvre rod | 1 | 7198 | | | | |
| 100 | Air top guide | 1 | 7227 | | | | |
| 101 | Front trim | 1 | 7228 | | | | |
| 135 | Cable cover | 2 | 7598 | | | | |
| 136 | Glass assembly (glass + seal tape) | 1 | 4996 | | | | |
| - | Glass seal replacement tape kit | 1 | R7010 | | | | |
| 140 | Rear side panel RH | 1 | 7199 | | | | |
| 168 | Fan discharge guide | 1 | 7221 | | | | |
| 173 | Fan discharge shroud | 1 | 7222 | | | | |
| 184 | Flue spigot guide LH | 1 | 7241L | | | | |
| 185 | Flue spigot guide RH | 1 | 7241R | | | | |
| 187 | Fan dividing panel MK2 | 1 | 7999 | | | | |
| 188 | Brand badge silver | 1 | 5327S | | | | |
| - | Louvre bracket top painted (goes at the top of the combustion chamber to hold the top louvres in place at the sides) | 1 | 7217 | | | | |

Timberflame Radius ETR (IB35ETR) gas fireplace

This diagram is provided to assist you to identify parts if replacement is necessary. Contact your place of purchase or the manufacturer to enquire about parts, availability and/or service.

Radius ETR fan assembly

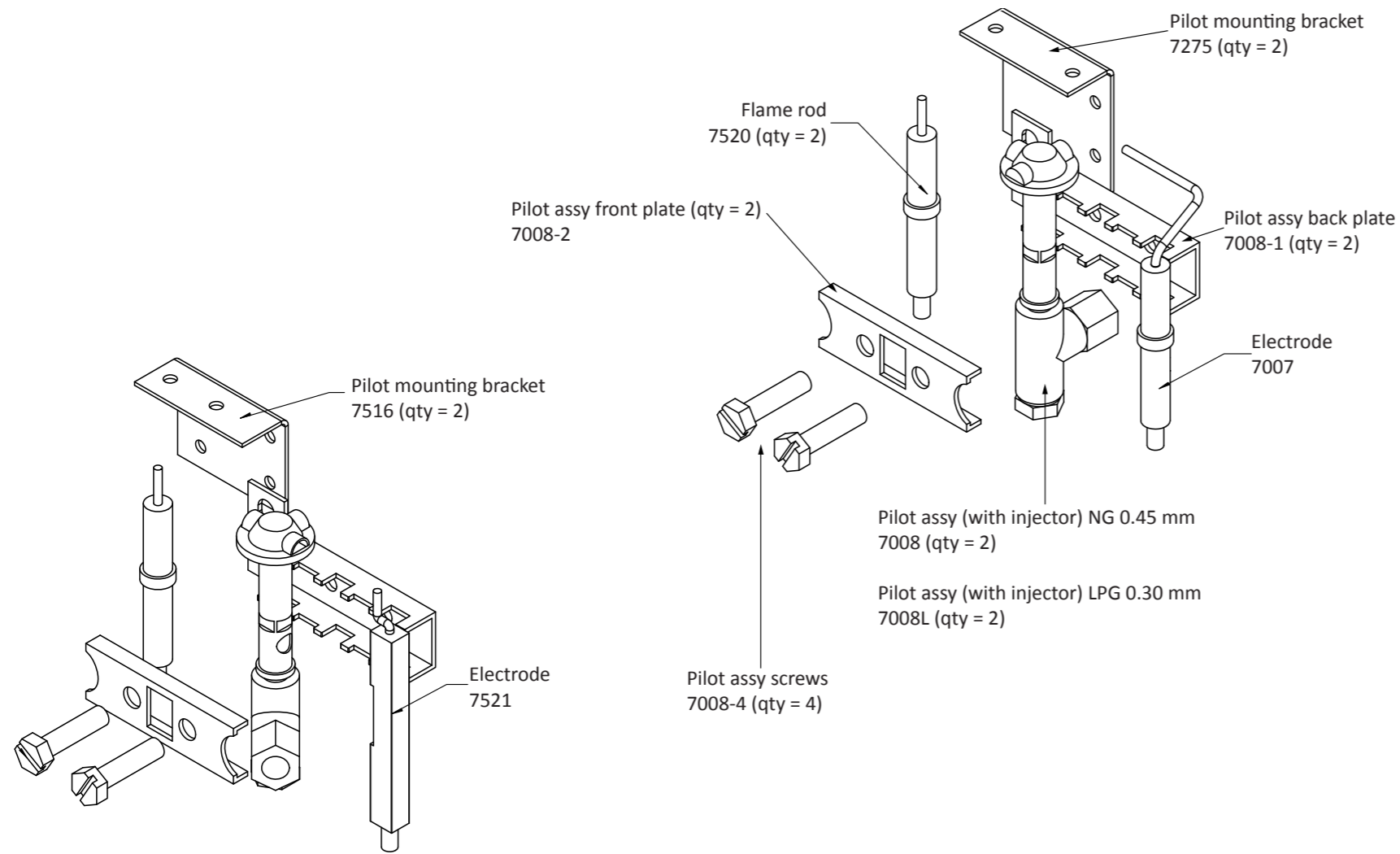


| Item not shown in exploded diagram | | |
|------------------------------------|------|----------|
| Description | Qty. | Part No. |
| Fan kit 10100X1 | 1 | R1903 |

Timberflame Radius ETR (IB35ETR) gas fireplace

This diagram is provided to assist you to identify parts if replacement is necessary. Contact your place of purchase or the manufacturer to enquire about parts, availability and/or service.

Radius ETR pilot assembly

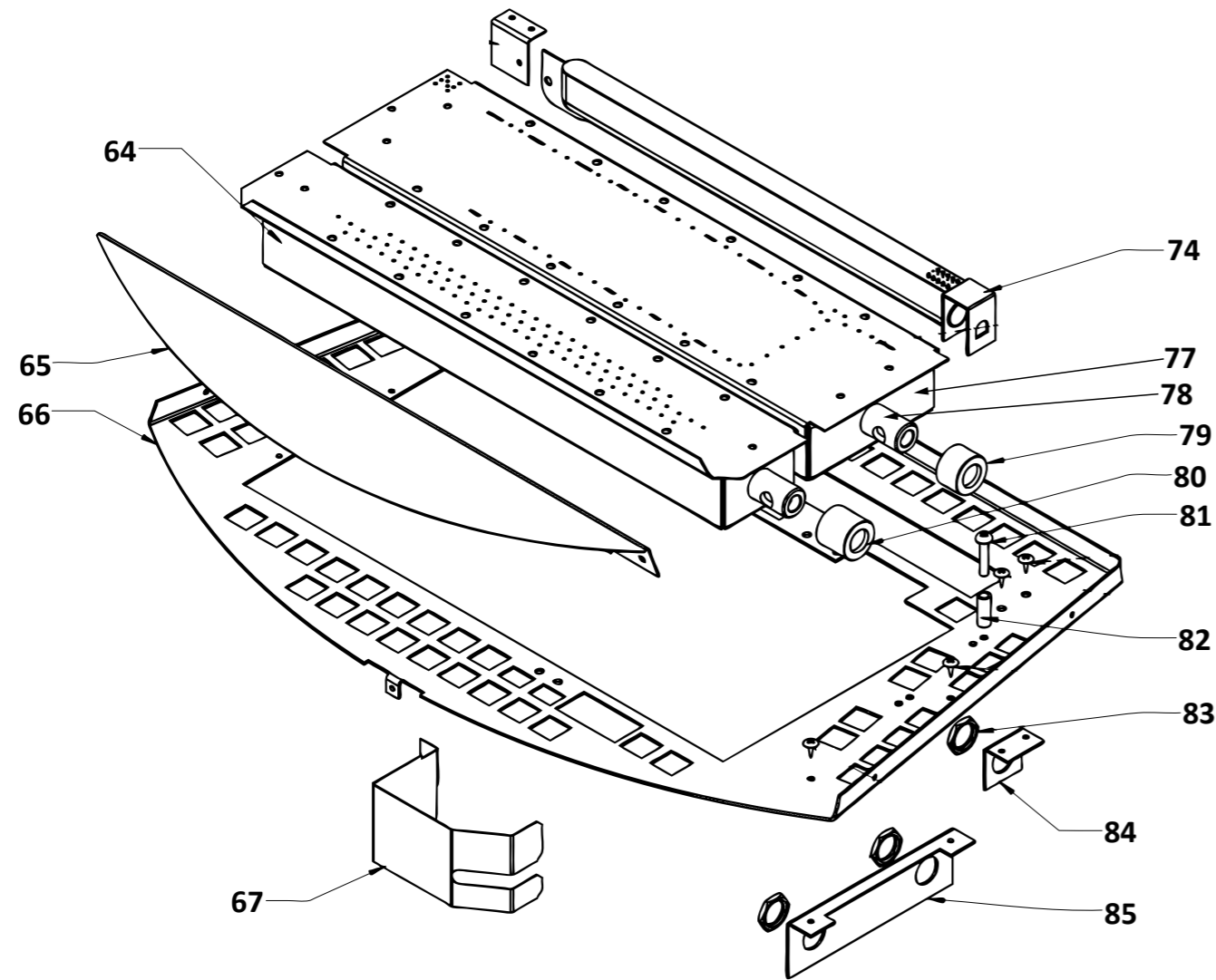


| Items not shown in exploded diagram | | |
|--|------|----------|
| Description | Qty. | Part No. |
| Injector pilot LPG 0.30 mm | 1 | 7009 |
| Injector pilot NG 0.45 mm | 1 | 9600 |
| Flame rod harness (was 10307, reverse compatible for all models so no serial number transition is required) | 1 | 10962 |
| Test harness ETR (not a spare but used to test flame rod current) | 1 | 9900 |

Timberflame Radius ETR (IB35ETR) gas fireplace

This diagram is provided to assist you to identify parts if replacement is necessary. Contact your place of purchase or the manufacturer to enquire about parts, availability and/or service.

Radius ETR burners



| Ref. | Description | Qty. | Part No. |
|------|-----------------------------------|------|----------|
| 64 | Front burner | 1 | 7040 |
| 65 | Front diverter panel | 1 | 7004 |
| 66 | Burner support | 1 | 7473 |
| 67 | Front shield | 1 | 7518-1 |
| 74 | Rear burner | 1 | 6384 |
| 77 | Main burner LPG | 1 | 4971 |
| 77 | Main burner NG | 1 | 4970 |
| 78 | Venturi | 2 | 7038-3 |
| 79 | Aeration sleeve short - NG only | 1 | 7258 |
| 80 | Aeration sleeve long - NG only | 1 | 7293 |
| 81 | Screw | 2 | 9115 |
| 82 | Log locating sleeve | 2 | 7240 |
| 83 | Lock nut | 3 | 5070 |
| 84 | Injector block bracket rear | 1 | 7791 |
| 85 | Injector block bracket front MK11 | 1 | 7950 |
| - | Injector block a+b | 3 | 7952 |
| - | Burner bracket | 1 | 7276 |