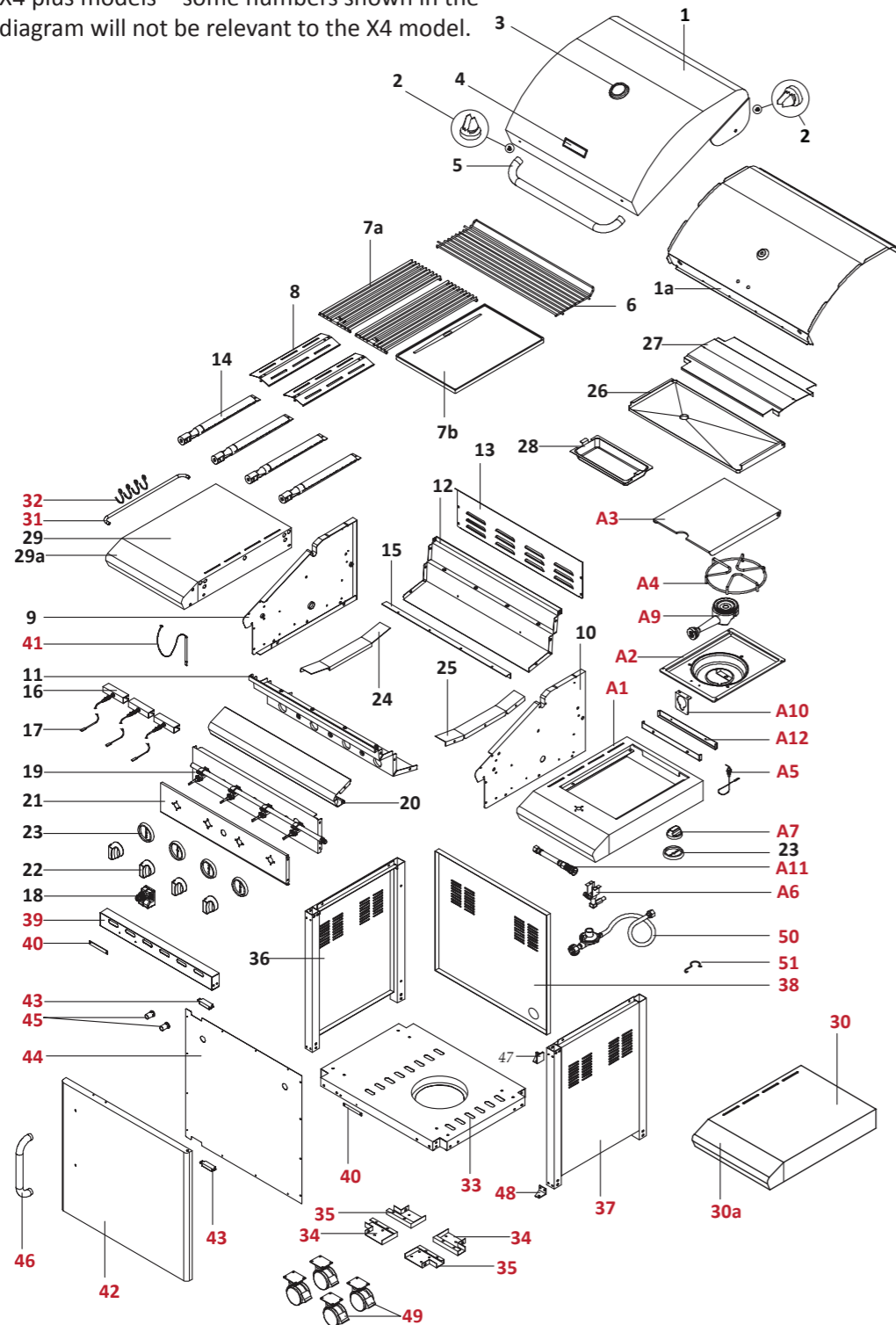




BBQ Maxim X4 Mitre 10 exclusive

This diagram is provided to assist you to identify parts if replacement is necessary. Contact your place of purchase or the manufacturer to enquire about parts, availability and/or service.

NB: Exploded diagram shown is for the X4 and X4 plus models—some numbers shown in the diagram will not be relevant to the X4 model.



Ref.	Description	Qty.	Part No.	Qty.	Part No.
			Serial No. up to/ incl. 6-07-49196		Serial No. from 6-07-49196
1	Hood assembly	1	17769	1	17769
2	Protective pad	4	18232	4	18232
3	Temperature gauge	1	17308	1	17308
4	Rinnai badge	1	17104	1	17104
5	Hood handle	1	18002	1	18002
6	Warming rack SS (655 x 200 mm)	1	18013	1	18013
7a	Grill plate enamel (165 x 485 mm)	2	18014	2	18014
7b	Hot plate cast iron (320 x 485 mm)	1	18337	1	18337
8	Flame tamer	2	18015	2	18015
9	Body panel left	1	18004	1	18004
10	Body panel right	1	18005	1	18005
11	Body panel front	1	18008	1	18008
12	Body panel rear	1	18006	1	18006
13	Body panel rear wind shield	1	18007	1	18007
14	Burner main	4	18186	4	18271
15	Burner support bracket	1	18600	1	18600
16	Gas collector box with electrode (cross lighting bracket)	3	18016	3	18016
16c	Injector	-	-	4	18538
17	Electric wire set	1	18017	1	18017
18	Electric igniter - 4 port	1	18107	1	18107
19	Gas valve, manifold, heat shield assembly LPG	1	17768	1	17768
19a	Heat shield	1	18020	1	18020
19b	Manifold	1	18029	1	18029
20	Decorative front panel	1	18537	1	18537
21	Control panel with screen print	1	17191	1	17191
22	Control knob for main burner	4	18025	4	18025
23	Control knob seat	5	18212	5	18212
24	Grease tray track left	1	18070	1	18070
25	Grease tray track right	1	18071	1	18071
26	Grease draining tray	1	18018	1	18018
27	Grease draining tray heat shield	1	18033	1	18033
28	Grease receptacle	1	18198	1	18198
29	Side shelf left	1	18011	1	18011

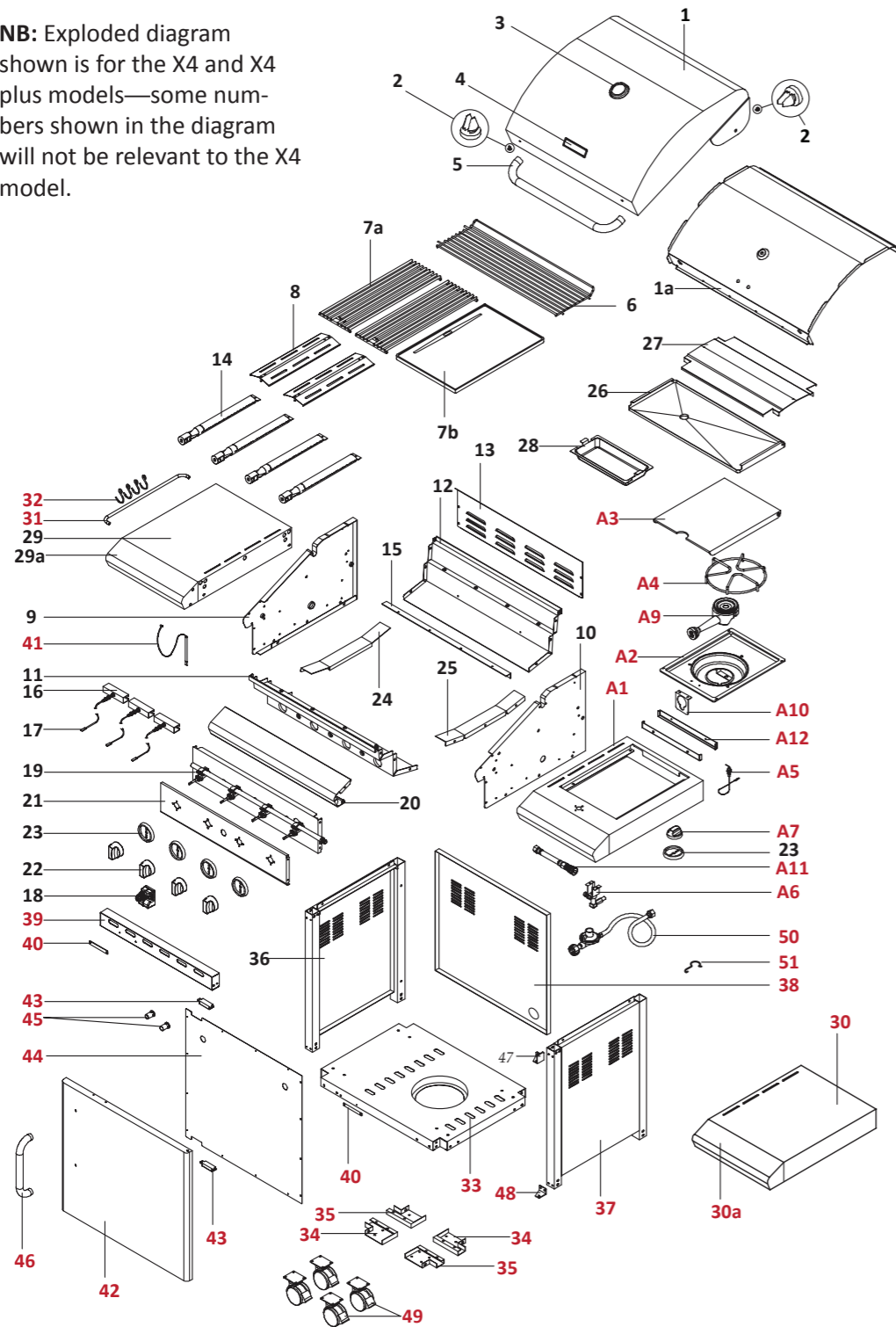
Numbers 30-A12 (shown in red) are listed on page 2



BBQ Maxim X4 Mitre 10 exclusive

This diagram is provided to assist you to identify parts if replacement is necessary. Contact your place of purchase or the manufacturer to enquire about parts, availability and/or service.

NB: Exploded diagram shown is for the X4 and X4 plus models—some numbers shown in the diagram will not be relevant to the X4 model.



Ref.	Description	Qty.	Part No.	Qty.	Part No.
			Serial No. up to/ incl. 6-07-49196		Serial No. from 6-07-49196
31	Tool holder	1	18228	1	18228
32	Tool hook	4	18031	4	18031
33	Trolley bottom shelf	1	18010	1	18010
34	Castor seat - left front, right rear	2	18222	2	18222
35	Castor seat - right front, left rear	2	18223	2	18223
36	Trolley legs with side panel - left	1	18036	1	18036
37	Trolley legs with side panel - right	1	18037	1	18037
38	Trolley rear panel	1	18038	1	18038
39	Trolley bracket front	1	17580	1	17580
40	Door stop plate	2	18030	2	18030
41	Lighting stick	1	17243	1	17243
42	Door	1	18028	1	18028
43	Door magnet	2	18233	2	18233
44	Door trim plate	1	18035	1	18035
45	Door spacer	2	18236	2	18236
46	Door handle	1	18043	1	18043
47	Door hinge bracket top right	1	18023	1	18023
48	Door hinge bracket bottom right	1	18024	1	18024
49	Castor 3" with brake	4	18220	4	18220
50	Regulator with hose - LPG	1	18119	1	18119
50a	Hose retention hook	1	18601	1	18601
A1	Side burner frame	1	18012	1	18012
A2	Side burner body assembly	1	18052	1	18052
A3	Side burner lid	1	18000	1	18000
A4	Pot support	1	17246	1	17246
A5	Side burner electrode	1	18053	1	18053
A6	Side burner gas valve assembly LPG	1	18039	1	18039
A7	Side burner control knob	1	18026	1	18026
A9	Side burner body with brass burner ring	1	18184	1	18184
A10	Side burner bracket	1	18188	1	18188
A11	Side burner connection hose	1	18066	1	18066
A12	Side burner body bracket	2	18021	2	18021
-	Hardware pack	1	18032	1	18032
-	BBQ cover	1	ABBQ2017	1	ABBQ2017
-	BBQ burner uprating kit, ONLY available for BBQ's with serial numbers UP TO 6-07-49196	1	18540	-	-