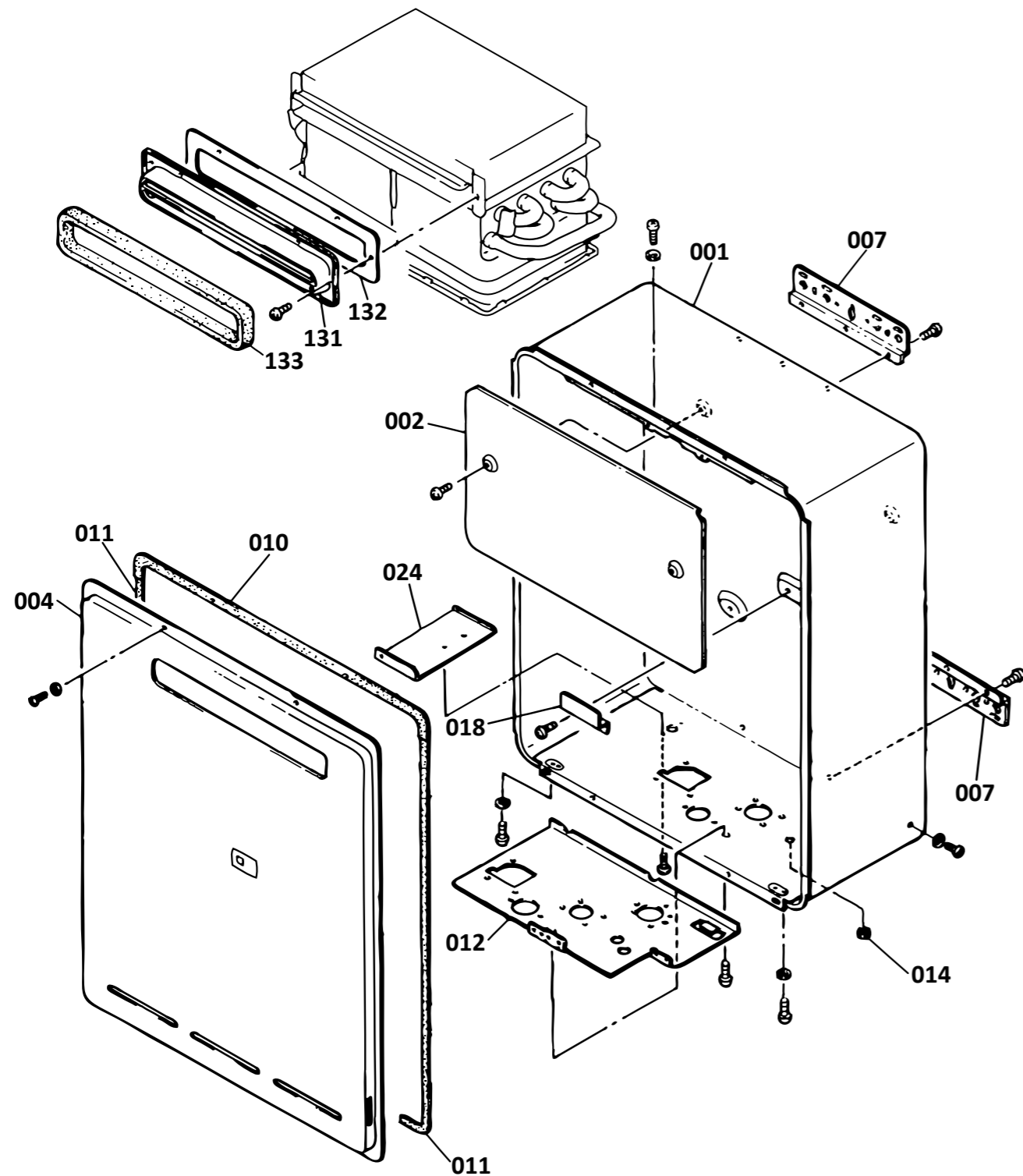


Infinity V32 external (REU-V3232W & 3203W) water heater

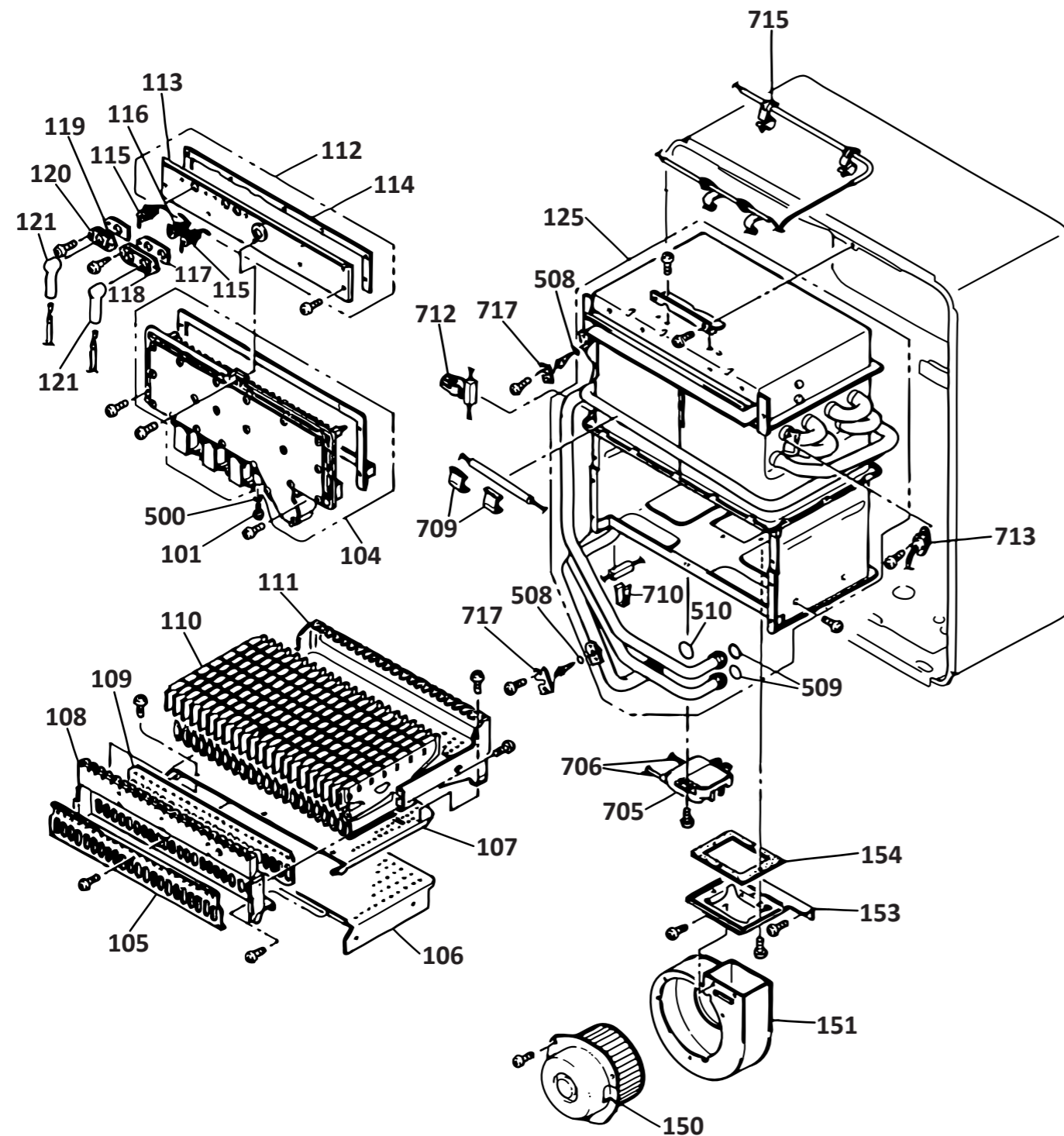
This diagram is provided to assist you to identify parts if replacement is necessary. Contact your place of purchase or the manufacturer to enquire about parts, availability and/or service.



Ref.	Description	Qty.	Part No.
001	Casing assembly	1	3420
002	Heat protection plate	1	not available
004	Front panel assembly	1	3421
007	Wall bracket	2	3422
010	Front panel packing	1	3418
011	Front panel packing side	2	3423
012	Connection reinforcement panel	1	not available
014	Rubber plug	1	not available
018	Reinforcement panel	1	not available
024	Plug plate	1	not available
131	Flue outlet	1	3555
132	Flue outlet packing	1	3479
133	Flue outlet packing	1	3344

Infinity V32 external (REU-V3232W & 3203W) water heater

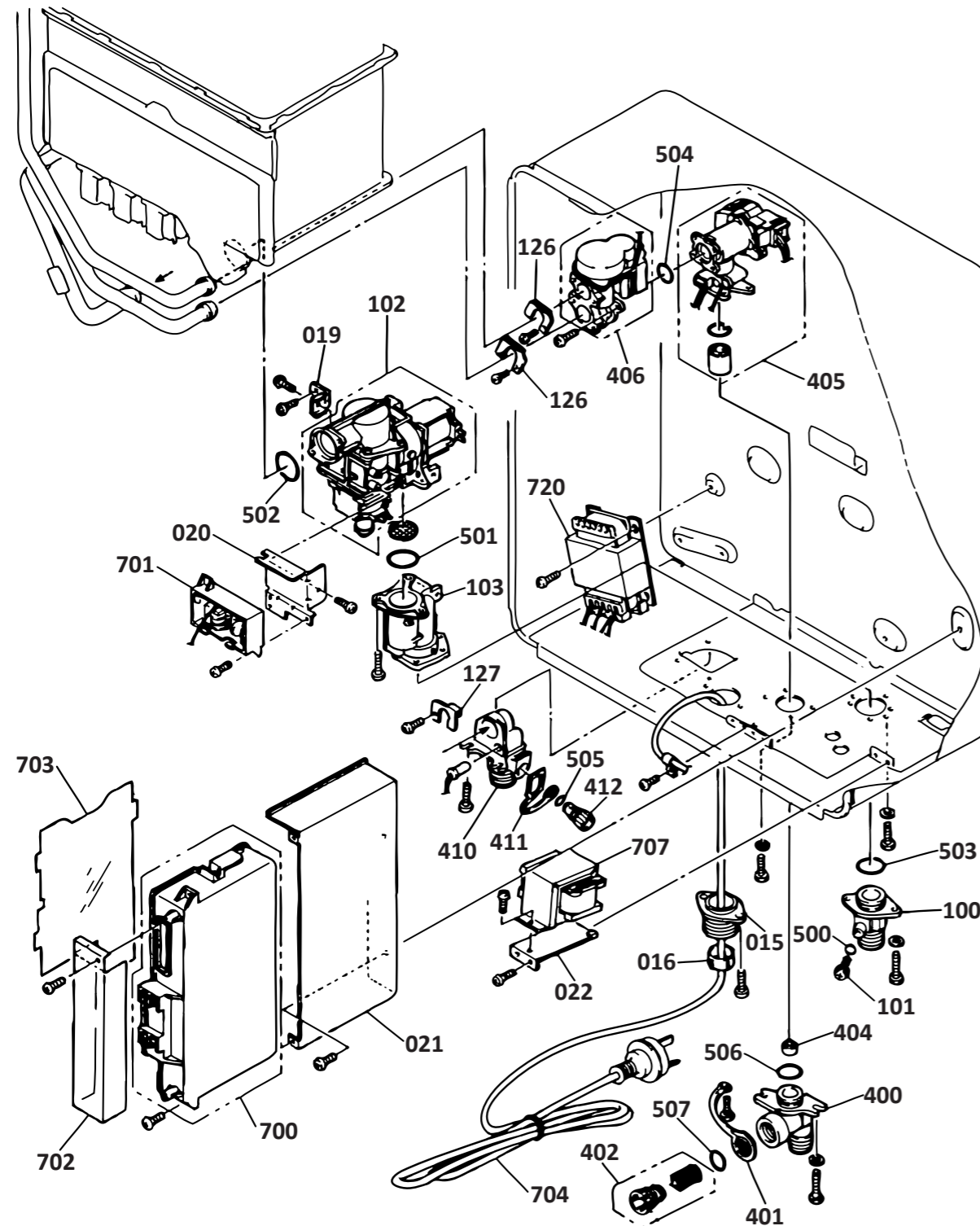
This diagram is provided to assist you to identify parts if replacement is necessary. Contact your place of purchase or the manufacturer to enquire about parts, availability and/or service.



Ref.	Description	Qty.	Part No.
101	Test point screw	2	not available
104	Manifold LPG	1	3431
104	Manifold NG	1	3432
105	Damper LPG/NG	1	3437
106	Restrictor plate	1	not available
107	Burner case lower	1	not available
108	Burner case front	1	not available
109	Packing	1	3439
110	Burners	22	3440
111	Burner case back panel	1	3319
112	Combustion chamber front assembly - use parts 113 & 114	1	-
113	Combustion chamber front plate	1	5326
114	Combustion chamber packing	1	3443
115	Electrode	2	3445
116	Flame rod	1	3464
117	Electrode packing	1	3465
118	Electrode holder	1	3468
119	Electrode packing	1	3469
120	Electrode holder	1	3471
121	Electrode sleeve	2	3475
125	Heat exchanger	1	4908
150	Fan motor assembly	1	3481
151	Fan casing assembly	1	not available
153	Fan connection	1	not available
154	Fan connection packing	1	3482
500	O-ring	2	2239
508	O-ring	2	3832
509	O-ring	2	3826
510	O-ring	1	3627
705	Ignitor	1	7542
706	High tension cord	2	3529
709	Anti-frost heater clip	2	2364
710	Anti-frost heater clip	1	2899
712	Anti-frost heater clip	1	3536
713	Overheat switch	1	3537
715	Thermal fuse clips	7	2869
717	Thermistor clip	2	3882

Infinity V32 external (REU-V3232W & 3203W) water heater

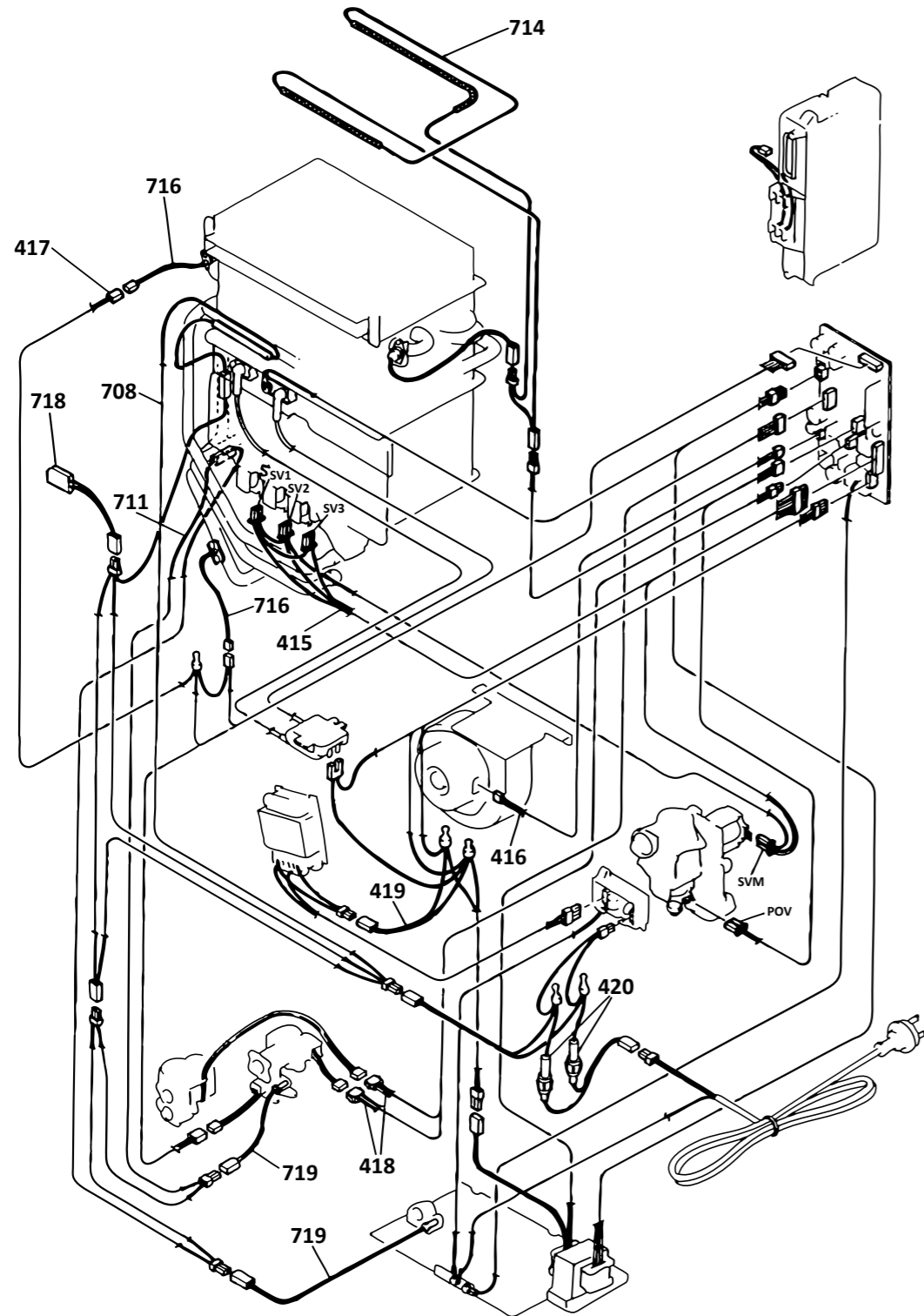
This diagram is provided to assist you to identify parts if replacement is necessary. Contact your place of purchase or the manufacturer to enquire about parts, availability and/or service.



Ref.	Description	Qty.	Part No.
015	Cable connection	1	3896
016	Cable seal packing	1	3551
019	Gas control bracket	1	not available
020	Surge protector bracket	1	not available
021	PCB bracket	1	not available
022	Transformer bracket	1	not available
100	Gas inlet 3/4"	1	3200
101	Test point screw	2	not available
102	Gas control	1	3427
103	Gas control connection	1	3430
126	Stop bracket	2	not available
127	Stop bracket	1	not available
400	Water inlet connection	1	3484
401	Plug band	1	not available
402	Incoming water filter (filter + plug)	1	3839
404	Balancer	1	3487
405	Water flow servo & sensor	1	3488
406	Bypass servo	1	3489
410	Water outlet connection	1	3490
411	Plug band	1	not available
412	Pressure relief valve	1	3491
500	O-ring	2	2239
501	Packing	1	3012
502	Packing	1	3521
503	O-ring	1	3837
504	O-ring	1	3627
505	O-ring	1	1031
506	O-ring	1	3627
507	O-ring	1	1244
700	PCB	1	3522
701	Surge protector	1	3523
702	PCB cover - side	1	3524
703	PCB cover - front	1	3525
704	Electrical cord	1	3526
707	Transformer	1	3530
720	Transformer	1	3550

Infinity V32 external (REU-V3232W & 3203W) water heater

This diagram is provided to assist you to identify parts if replacement is necessary. Contact your place of purchase or the manufacturer to enquire about parts, availability and/or service.



Ref.	Description	Qty.	Part No.
415	Modulating solenoid valve harness	1	3492
416	Fan motor harness	1	3493
417	Sensor harness	1	3495
418	Water flow servo harness	1	3505
419	Transformer harness	1	3506
420	3-amp fuse harness	1	3391
708	230 V anti-frost heater A	1	3534
711	230 V anti-frost heater B	1	3535
714	Thermal fuse harness	1	3538
716	Thermistor	2	3389
718	Frost sensing switch	1	2362
719	230 V anti-frost valve heater	1	3544
-	Anti-frost kit	1	FROST2