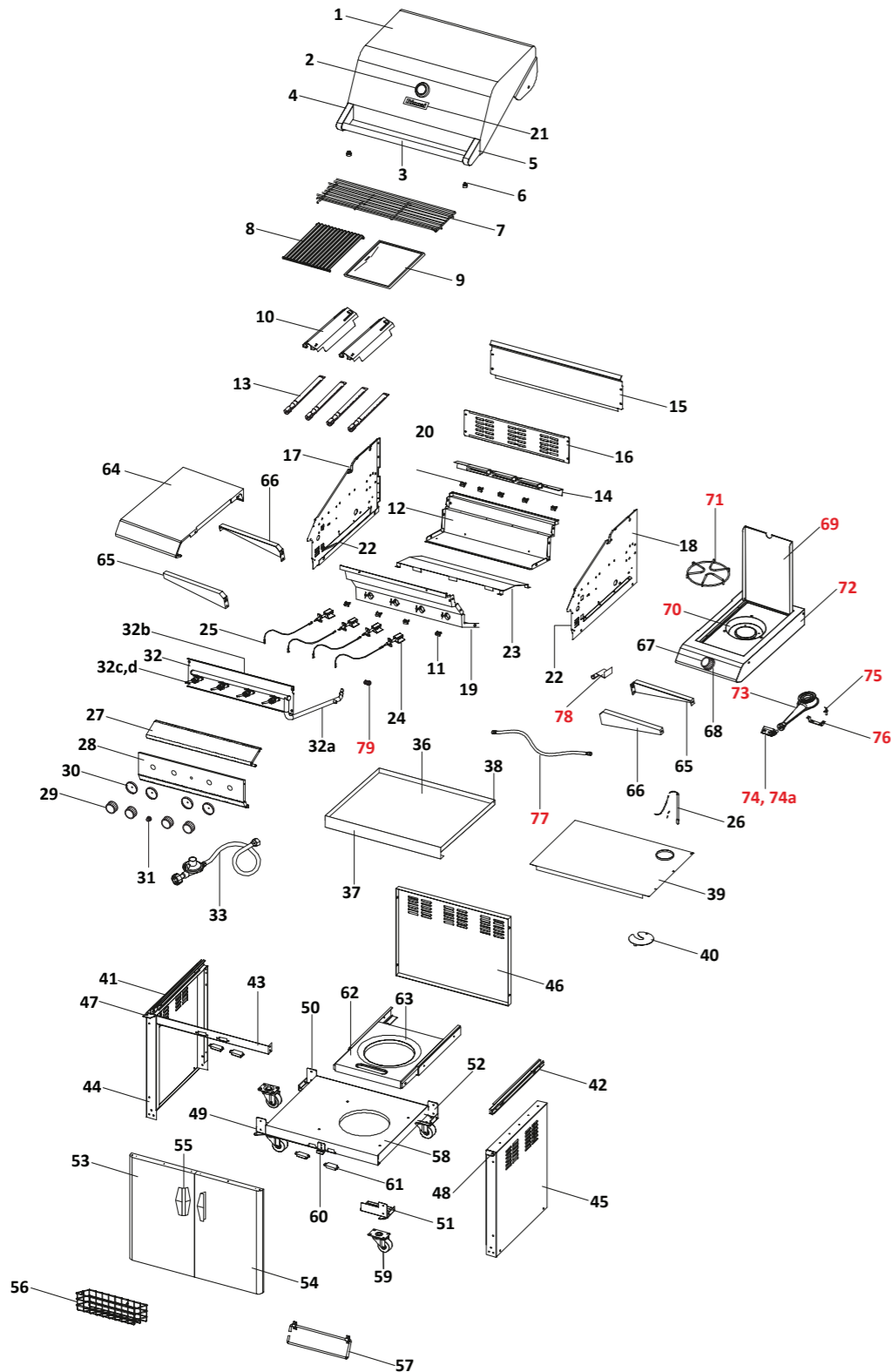


Rinnai | Maxim S4 BBQ

This diagram is provided to assist you to identify parts if replacement is necessary. Contact your place of purchase or the manufacturer to enquire about parts, availability and/or service.



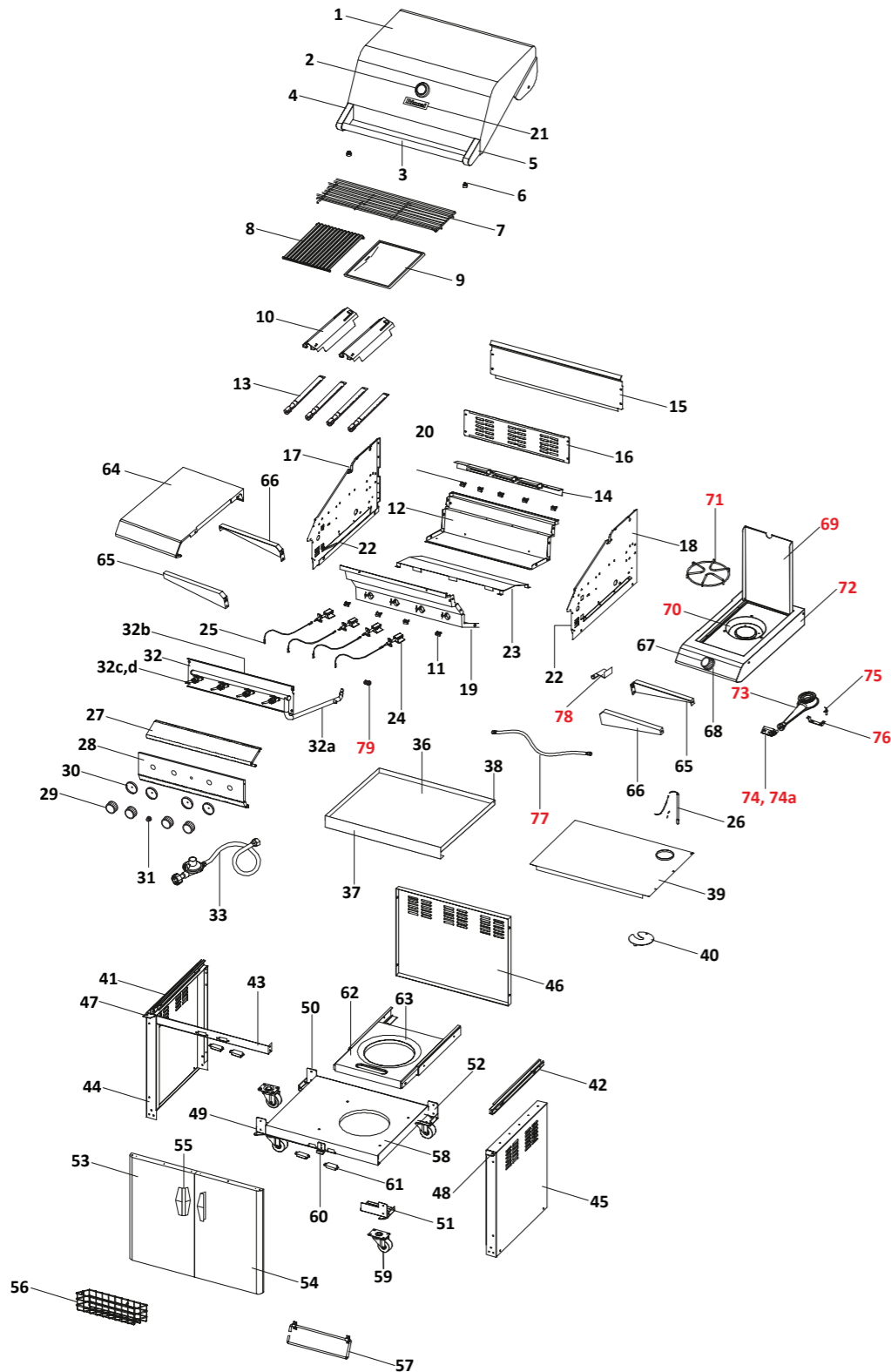
Ref.	Description	Qty.	Part No.
1	Hood	1	18397
2	Temperature gauge	1	17308
3	Hood handle	1	18398
4	Hood handle bracket - left	1	18399
5	Hood handle bracket - right	1	18400
6	Protective pad	2	17313
7	Secondary cooking rack (stainless)	1	18401
8	Grill plate (cast iron 320 x 485 mm)	1	18402
9	Hotplate (cast iron 320 x 485 mm)	1	18337
10	Savor plate®	2	18403
11	Savor plate® bracket - front	4	18404
12	Savor plate® bracket - rear	4	18405
13	Burner - main	4	18406
14	Burner bracket	1	18407
15	Bowl panel - upper rear	1	18408
16	Bowl wind shield - rear	1	18409
17	Bowl panel - left	1	18410
18	Bowl panel - right	1	18411
19	Bowl panel - front	1	18412
20	Bowl panel - rear	1	18413
21	Rinnai badge	1	18414
22	Bowl grease shield lower - left/right	2	18415
23	Grease tray heat shield - lower	1	18415
24	Gas collector with electrode	4	17035
25	Electronic wire set	1	18416
26	Lighting stick	1	17147
27	Control panel - upper	1	18417
28	Control panel - bottom (screen print)	1	18418
29	Control panel - main burner	4	18732
30	Control knob seat - main	4	18420
31	Igniter - 6 point	1	18107
32	Manifold assembly	1	18421
32a	Manifold	1	18422
32b	Heat shield	1	18423
32c	Gas valve main - without jet	4	18424
32d	Jet - main burner	4	18425

Ref.	Description	Qty.	Part No.
33	Regulator with hose	1	18426
36	Grease tray	1	18427
37	Grease tray handle	1	18428
38	Wheel for grease tray	4	18429
39	Trolley partition panel	1	18430
40	Trolley panel cap	1	18431
41	Bowl support bracket - left	1	18433
42	Bowl support bracket - right	1	18522
43	Door top support bracket	1	18434
44	Trolley side panel - left	1	18435
45	Trolley side panel - right	1	18436
46	Trolley panel - rear	1	18437
47	Door bracket - upper left	1	18438
48	Door bracket - upper right	1	18439
49	Castor seat - left front	1	18440
50	Castor seat - left rear	1	18441
51	Castor seat - right front	1	18442
52	Castor seat - right rear	1	18443
53	Door panel - left	1	18444
54	Door panel - right	1	18445
55	Door handle	2	18446
56	Spice basket	1	18447
57	Towel rack	1	18448
58	Trolley bottom shelf	1	18449
59	Castor - 2½" with brake	4	18450
60	Door guide plate	1	18451
61	Door magnet	4	18452
62	Gas cylinder pull-out tray assembly	1	18453
63	Wing bolt	1	18454
64	Side shelf left	1	18455
65	Side shelf bracket - left front/right rear	2	18457
66	Side shelf bracket - right front/left rear	2	18456
67	Control knob - side burner	1	18419
68	Control knob seat - side	1	18420

numbers 69-79 (in red) shown on page 2

Rinnai | Maxim S4 BBQ

This diagram is provided to assist you to identify parts if replacement is necessary. Contact your place of purchase or the manufacturer to enquire about parts, availability and/or service.



Ref.	Description	Qty.	Part No.
69	Side shelf lid	1	18460
70	Side shelf body	1	18461
71	Pot support	1	17379
72	Side shelf trim plate	1	18462
73	Side burner	1	18463
74	Gas valve side without jet	1	18465
74a	Jet - side burner	1	18466
75	Ignition wire set - side burner	1	18467
76	Side burner bracket	1	18468
77	Side burner hose	1	18469
78	Side burner hose bracket	2	18460
79	Gas fitting manifold - rear	1	18471
-	Hardware pack	1	18472
-	BBQ cover	1	ABBQ2024