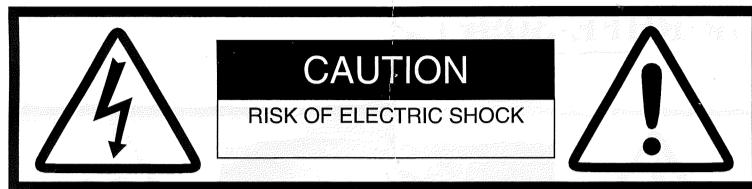


Installation Guide

Central ON/OFF Timer Adaptor Kit (FOT-144)



Warning This unit is for AC 24V use only. Please ensure that connection to the terminal from outside is AC 24V input. (If the input is other than AC 24V, the PCB will not work or the sub PCB will be damaged.)

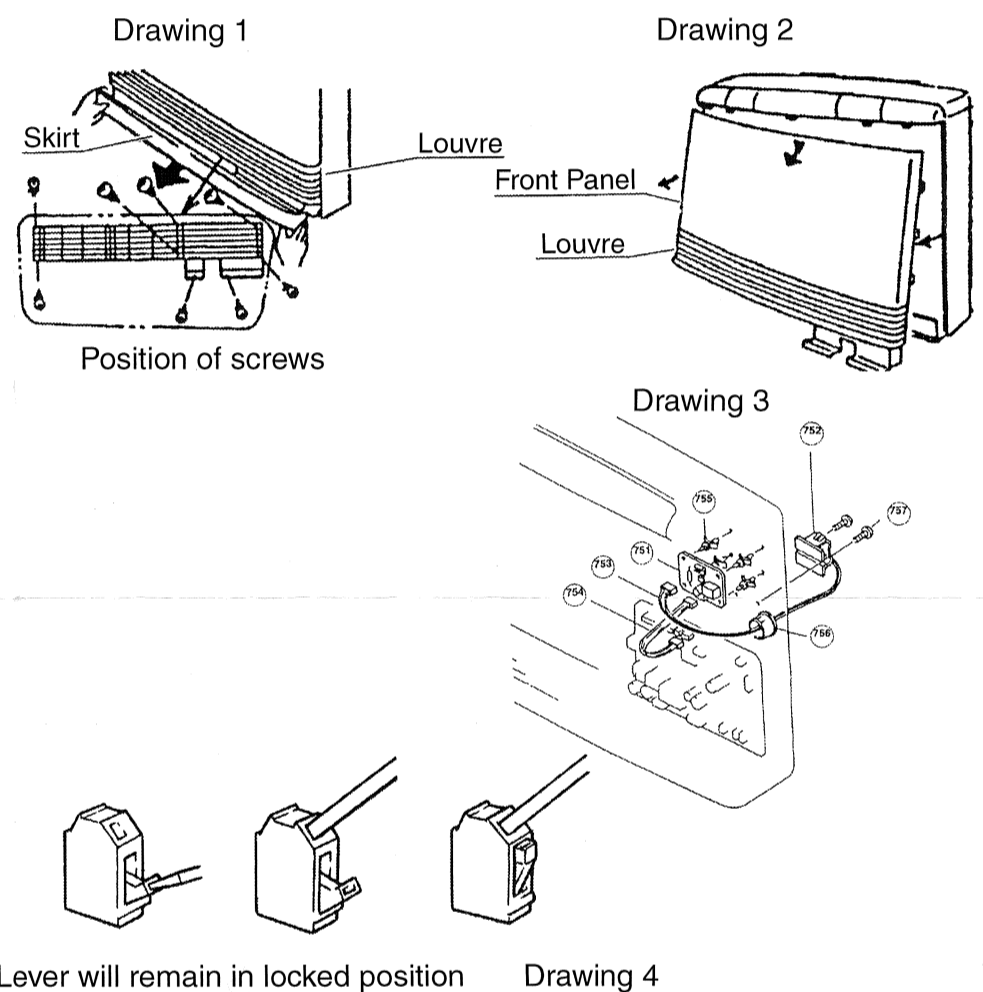
Contents of Kit

Part Name	Qty	Part Name	Qty
Sub PCB	1	Sub PCB Lead Wire	1
Terminal	1	Circuit Board Spacer	4
Central Timer Harness	1	Bush *	1
		Screws	2

* Bush doesn't use in RHFE-309FT & RHFE-559FT.

Procedure

1. Disconnect the power supply from wall socket.
2. Remove skirt. (Drawing 1)
3. Remove louvre and front panel, (Drawing 1 and 2) 8 screws.
4. Attach circuit board spacers to the sub PCB, then attach to the rear panel. (Drawing 3)
5. Using the screws provided, attach terminal to the rear panel. (Drawing 3)
6. Attach the bush to the rear panel. (Drawing 3)
7. Connect the sub PCB and main PCB with the sub PCB lead wire. (Drawing 3)
8. Connect the central timer harness to the sub PCB feeding it through bush in rear panel. (Drawing 3)
9. Connect the central timer harness to the terminal in the following manner:
 - (1) Press down on lever with finger or use a tool (⊖ driver etc.), until it locks.
 - (2) Insert the end of the harness into the connection point of the terminal.
 - (3) pull the lever back to the original position.
10. Connect outside signalling wire as in step 8. (Ensure signal is AC 24V)

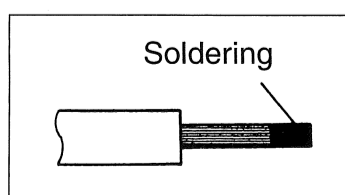


Recommended electric cable specification	Multi-core conductor: 1.25mm ² , AWG 16 (refer to Warning for the Cable Connection 1) single cable: ø1.2mm, AWG 16
Recommended cable	Multi-core conductor: 1.25mm ² , AWG 16~0.3mm ² , AWG 22 single cable: ø1.6mm, AWG14~ø0.5mm, AWG 20
Strip length	8~9mm

11. Re-connect the power supply.
12. Test PCB by turning on at ON/OFF switch (ensure Central Timer is also in an 'ON' cycle), check that heater starts. Turn 24V signal off check that heater stops.
13. Re-attach the louvre, front panel and skirt.

Cable Connection-Warning

1. When multi-core conductor is used as the connection cable, solder the end of the cable so that core is prevented from spreading, and cable grip holds securely.
2. Only connect one cable per one connection opening.
3. Lock the cable clamp lever securely after fitting cable.



OR

