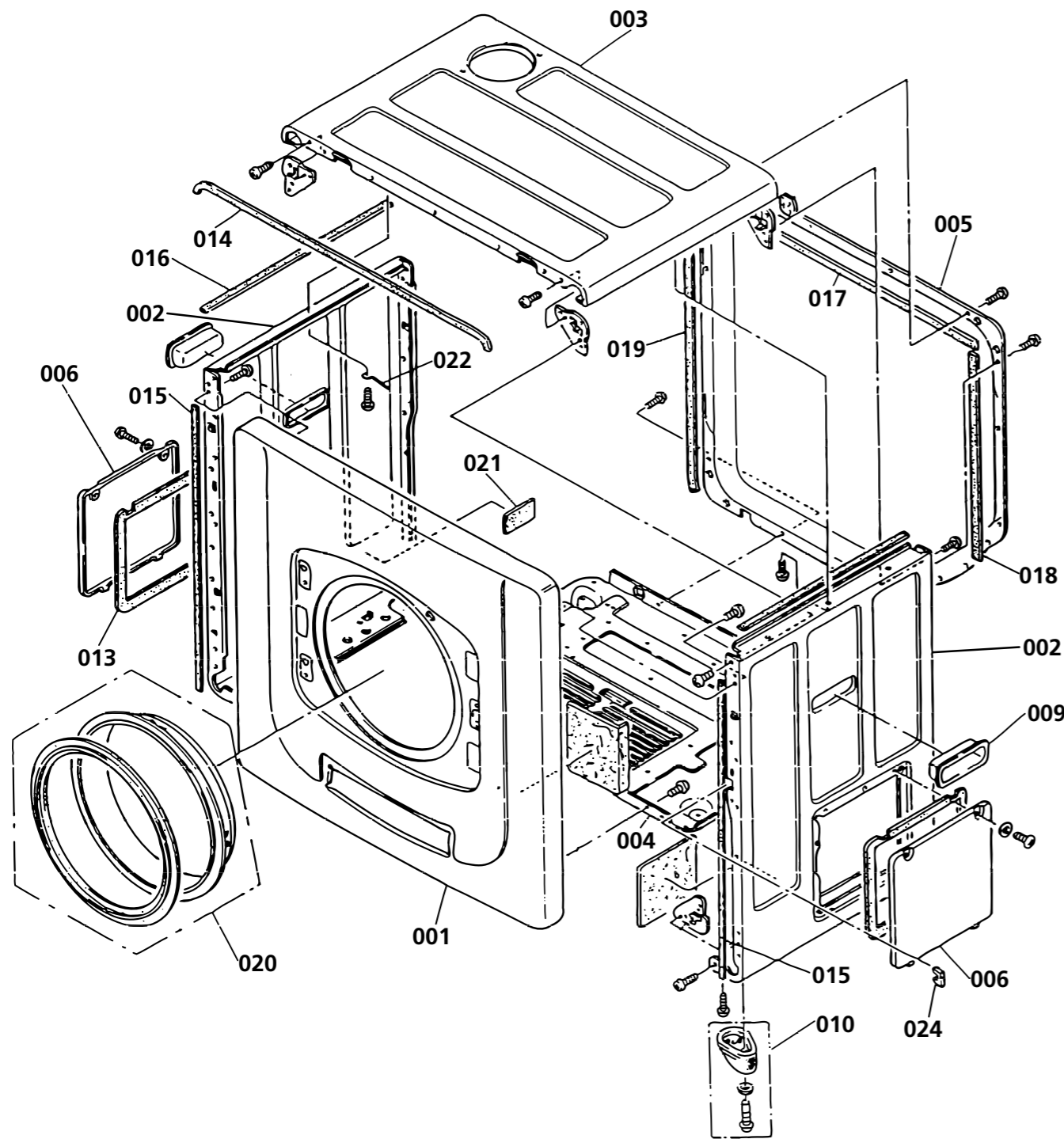


Rinnai Gas Dryer (RD40)

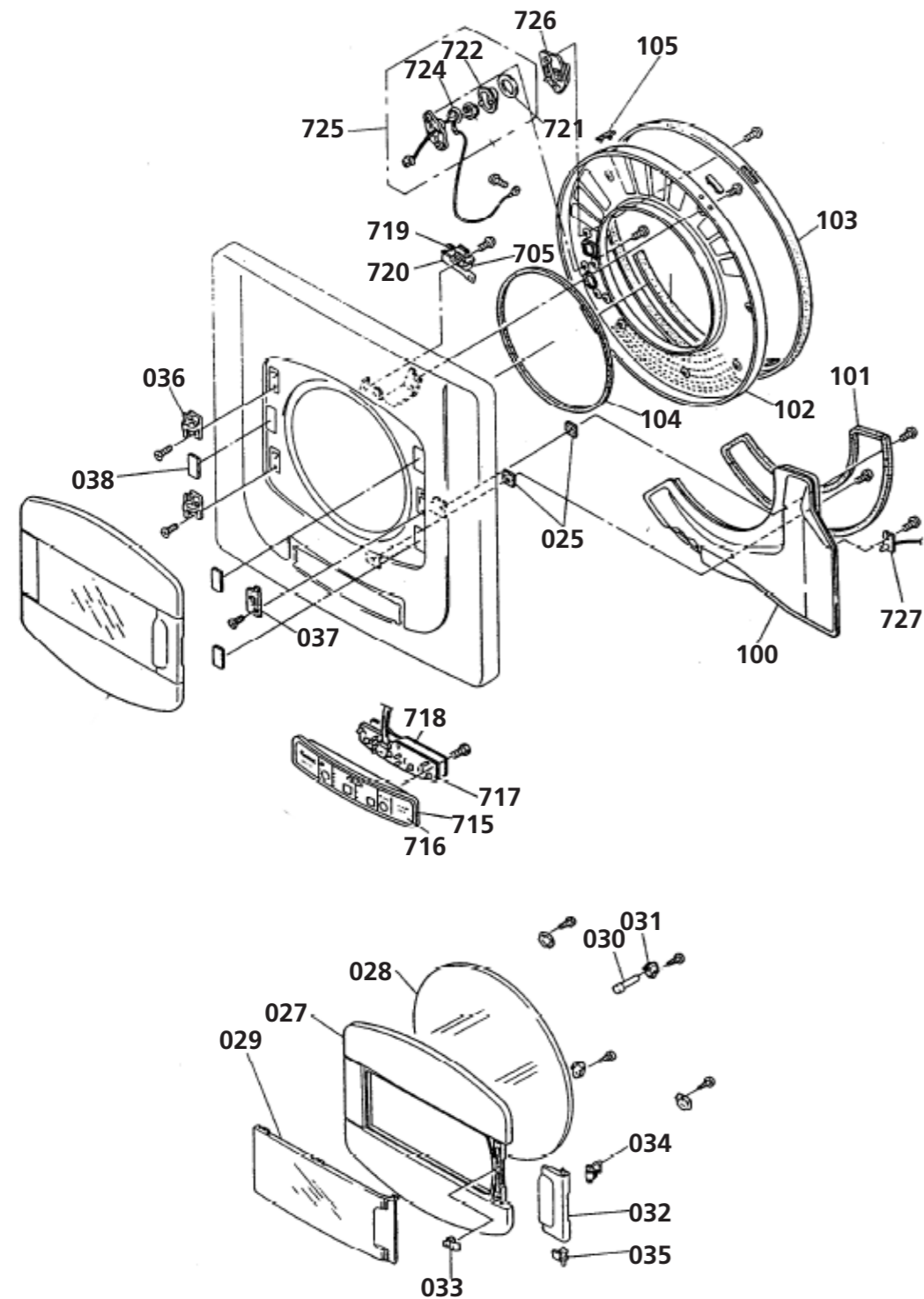
This diagram is provided to assist you to identify parts if replacement is necessary. Contact your place of purchase or the manufacturer to enquire about parts, availability and/or service.



Ref.	Description	Part No.
001	Front panel	4400
002	Side panel	4401
003	Top panel	4402
004	Bottom panel	4403
005	Rear panel	4404
006	Inspection door	4405
009	Handle	4406
010	Rubber leg	4407
013	Inspection door packing	4408
014	Packing A	4409
015	Packing B	4410
016	Packing C	4411
017	Rear panel upper packing	4412
018	Rear panel R/H packing	4413
019	Rear panel L/H packing	4414
020	Front door dress ring	4415
021	Slide plate reinforcement rubber	4416
022	Wire hook	4417
024	Edge saddle	4419

Rinnai Gas Dryer (RD40)

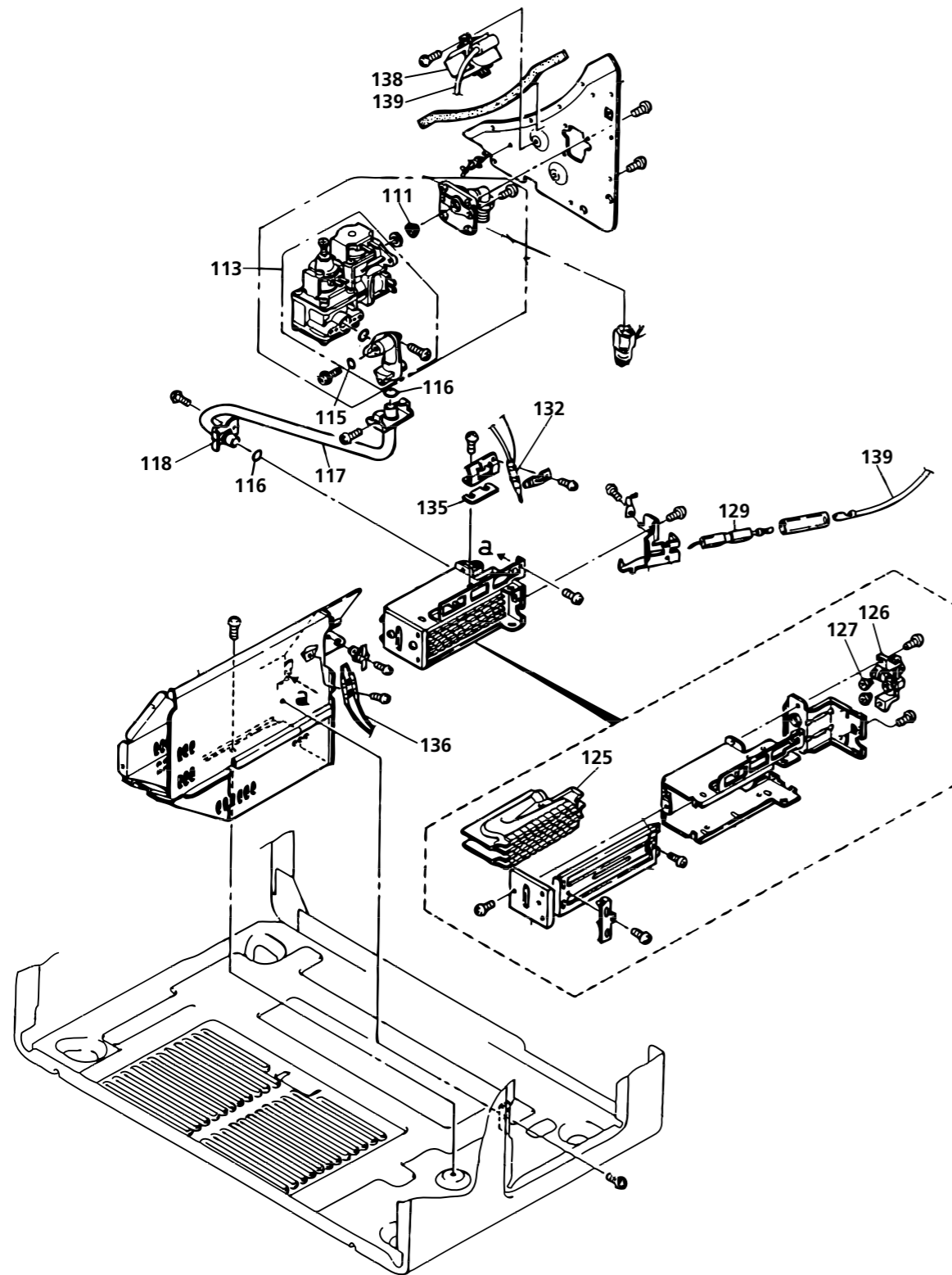
This diagram is provided to assist you to identify parts if replacement is necessary. Contact your place of purchase or the manufacturer to enquire about parts, availability and/or service.



Ref.	Description	Part No.
025	Front heat insulator A	4420
027	Front door	4421
028	Front door glass	4422
029	Resin window	4423
030	SW pushing bar	4424
031	SW pushing bar fixing plate	4425
032	Door handle	4426
033	Door spring handle	4427
034	Hook	4428
035	Shaft pin	4429
036	Door hinge	4430
037	Door hanging plate	4431
038	Trim	4432
100	Duct assy.	4435
101	Duct packing	4436
102	Drum support	4437
103	Felt	4438
104	Seal material 2	4439
105	Drum slider	4440
106	Felt C	4441
705	Micro switch	4458
715	Control box	4465
716	Panel sheet	4466
717	Operating PCB	4467
718	Protection cover	4468
719	Door SW retainer	4469
720	SW spring plate	4470
721	Seal material 3	4471
722	Clothes temp. thermistor retainer	4472
724	Earth assy.	4474
725	Clothes temp. thermistor	4475
726	Electrode sensor	4475
-	Cord bush	6653

Rinnai Gas Dryer (RD40)

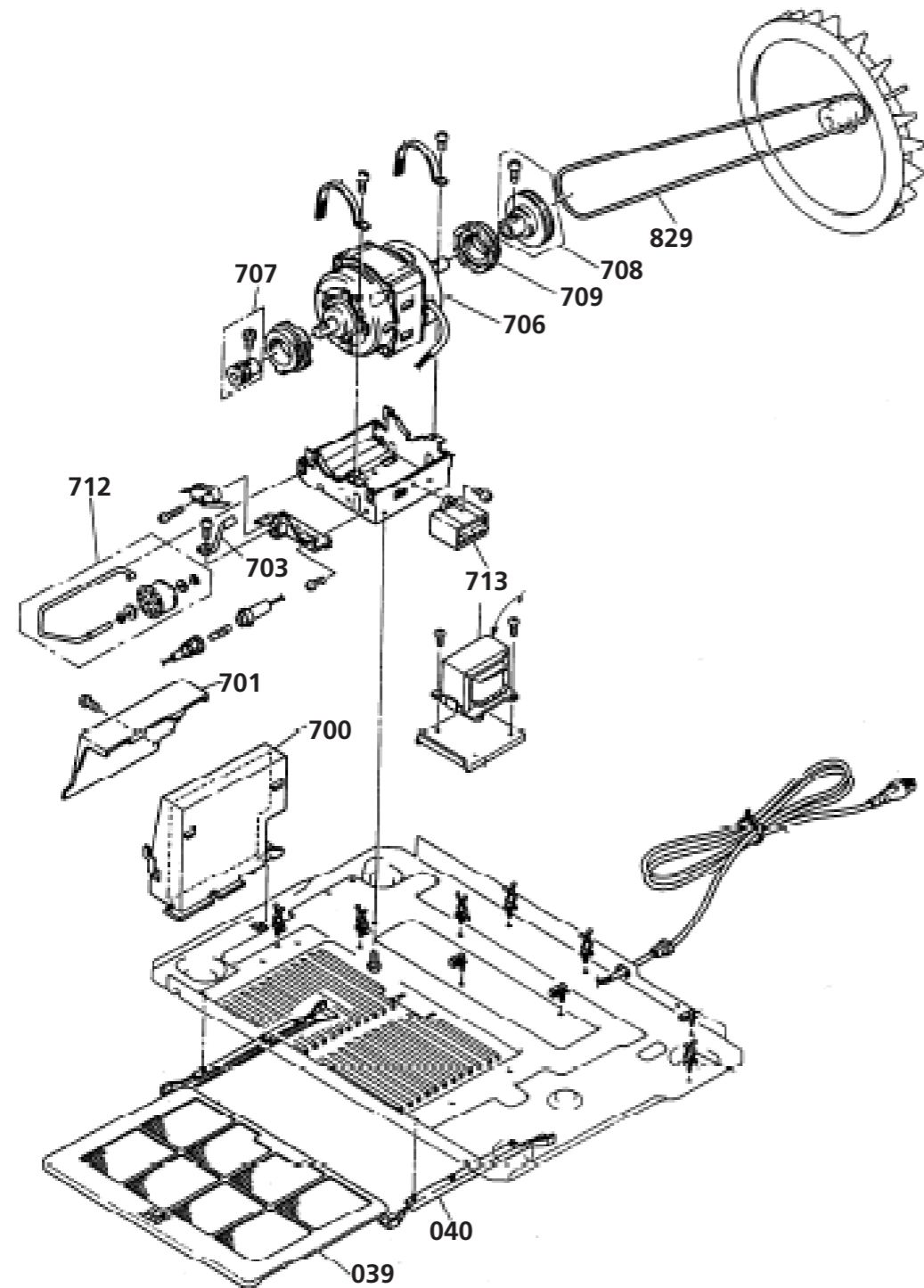
This diagram is provided to assist you to identify parts if replacement is necessary. Contact your place of purchase or the manufacturer to enquire about parts, availability and/or service.



Ref.	Description	Part No.
111	Filter	4225
113	Gas control NG	4443
113	Gas control LPG	4442
115	O-ring 4 mm	2239
116	O-ring 10 mm	2389
117	Gas connection tube	4444
118	Gas tube fixing plate	4445
125	Burner	4446
126	Manifold	4447
127	Injector NG 1.20 mm (2)	4449
127	Injector LPG 0.80 mm (2)	4448
129	Electrode	1864
132	Thermocouple	4450
135	Thermocouple spacer LPG	4513
135	Thermocouple spacer NG	4512
136	Thermocouple	4452
138	Sparker	4453
139	High tension cord	4454

Rinnai Gas Dryer (RD40)

This diagram is provided to assist you to identify parts if replacement is necessary. Contact your place of purchase or the manufacturer to enquire about parts, availability and/or service.

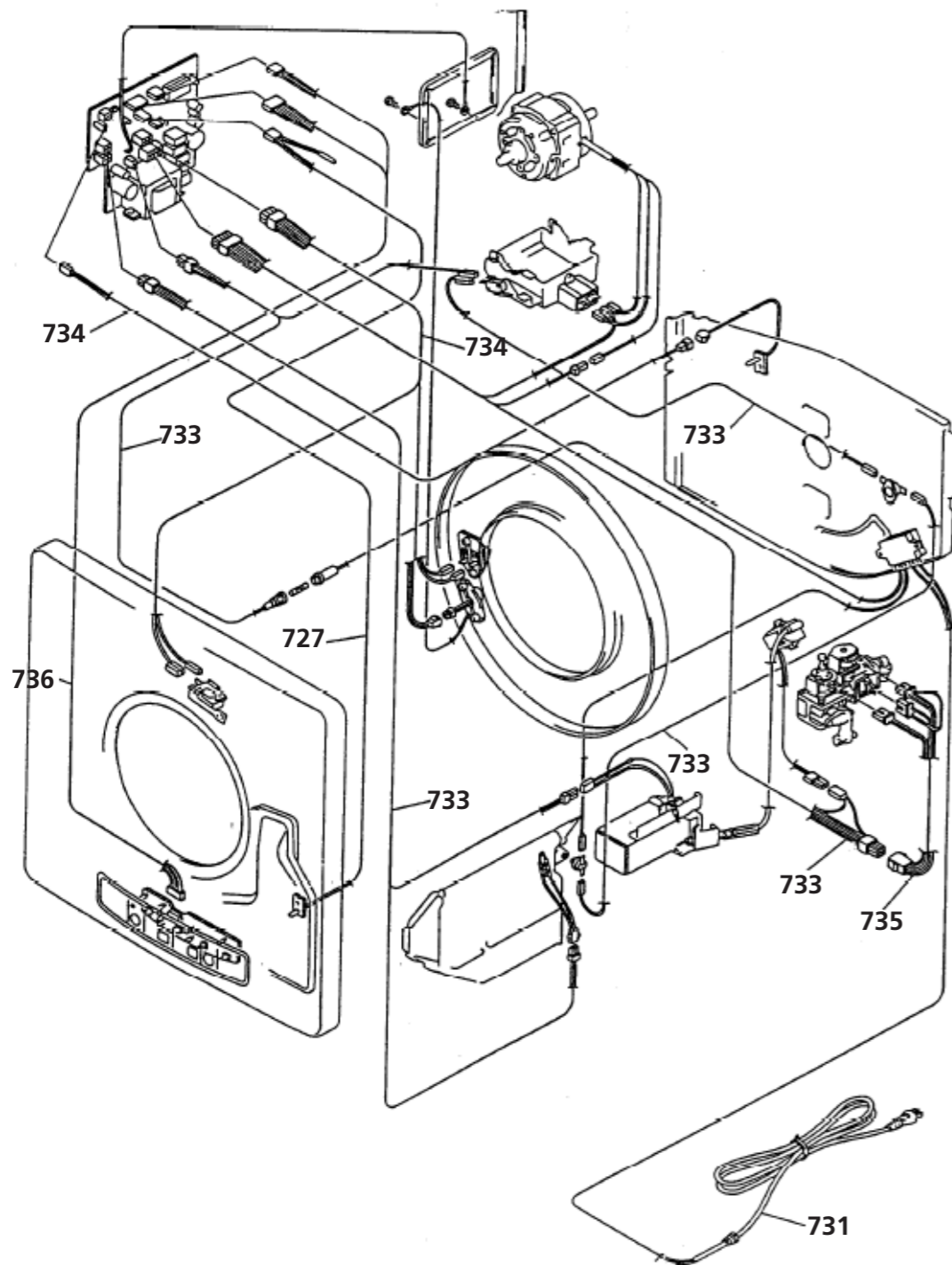


Ref.	Description	Part No.
039	Air inlet filter	4433
040	Air inlet filter support	4434
700	PCB	4455
701	PCB cover	4456
703	Belt cutting SW actuator	4457
706	Motor	4459
707	Motor pulley PV	4460
708	Motor pulley	4461
709	Vibration isolating rubber	4462
712	T-pulley	4461
713	Condenser	4464
829	Fan belt	4510

Rinnai Gas Dryer (RD40)

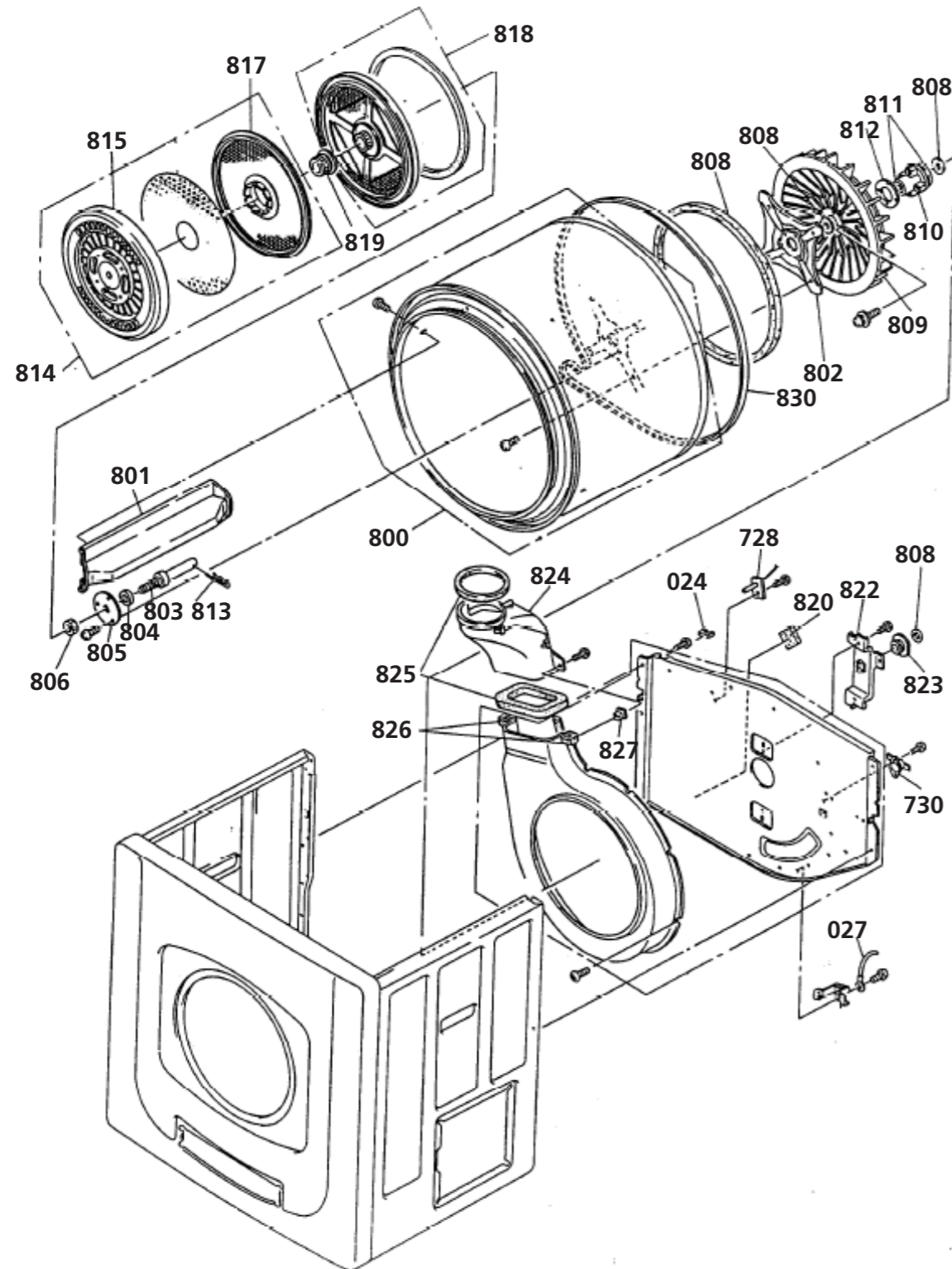
This diagram is provided to assist you to identify parts if replacement is necessary. Contact your place of purchase or the manufacturer to enquire about parts, availability and/or service.

Ref.	Description	Part No.
727	Relieving temp. thermistor	4476
731	Power cord	4479
733	CN1 harness	4480
734	CN3 harness	4481
735	MV POV harness	4482
736	CN6 harness	4483
-	Transformer	4484



Rinnai Gas Dryer (RD40)

This diagram is provided to assist you to identify parts if replacement is necessary. Contact your place of purchase or the manufacturer to enquire about parts, availability and/or service.



Ref.	Description	Part No.
024	Edge saddle	4419
027	Front door	4421
728	Ambient temp. thermistor	4477
730	Overheat switch	4478
800	Drum	4485
801	Lifter	4486
802	Reinforcement plate	4487
803	Drum shaft	4488
804	Flange washer	4489
805	Drum shaft support	4490
806	Hex nut	4491
807	Felt	4492
808	Resin washer (black)	4493
808	Resin washer (white)	4494
809	Exhaust fan	4495
810	Fan pulley	4496
811	Ball bearing	4497
812	Pulley washer	4498
813	Snap pin	5476
814	Waste thread trap assy.	4438
815	Lint pocket	4499
817	Inner filter	4500
818	Back filter	4501
819	Nut (back filter)	4502
820	Fan belt correction	4503
822	Shaft support plate	4504
823	Drum support	4505
824	Exhaust humidity elbow	4506
825	Exhaust humidity elbow packing	4507
826	Elbow additional packing	4508
827	Screw grommet	4509
830	Drum belt	4511

NOT SHOWN IN EXPLODED DIAGRAM	
Description	Part No.
Dryer bracket vert. assy, painted	3409-1
Dryer support LH painted	3409-6
Dryer support RH painted	3409-8
Flue cowl for dryer	3426
Flue hose dryer	9660
Flue liner for dryer	3476
Face plate for dryer	3477
Power plug Cat36 10 A 250 V	3379
Duct stand (flue spigot adaptor)	4451