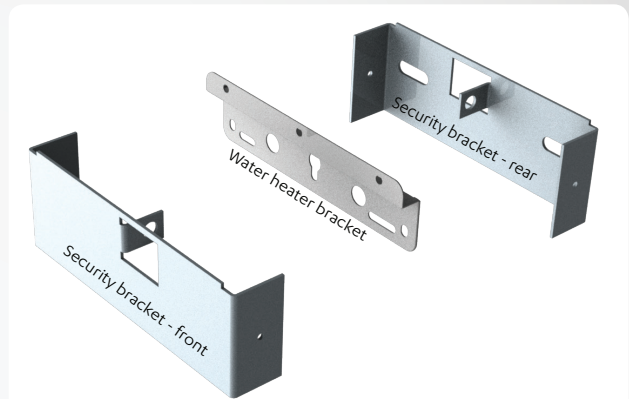


# INFINITY® security bracket installation

The Rinnai INFINITY security bracket prevents quick access to the bolts that fix the water heater to the wall by locking the lower section of the water heater in place. The bracket is compatible for installation on all Rinnai INFINITY continuous flow hot water heaters.

1. Determine the most suitable position for the Rinnai INFINITY continuous flow hot water heater and secure in place with the top supporting bracket.
2. Fit the rear section of the security bracket behind the water heater, allowing the centre pin to protrude through the centre keyhole of the lower water heater bracket.
3. With the bracket in place mark the position for the two fixing points.
4. Drill two holes in the cladding and secure both lower brackets with screws.
5. Connect the gas and water, and commission the water heater.
6. Fit the front security bracket over the water heater and rear security bracket, align the holes, and secure in place.
7. Attach a suitable padlock (not provided) through the central pins of the security brackets.

**N.B:** Padlocks with longer locking shafts or smaller padlocks, such as a 30 mm combination lock, should be used otherwise you won't be able to lock the padlock.



**Rear security bracket installed behind water heater bracket**

