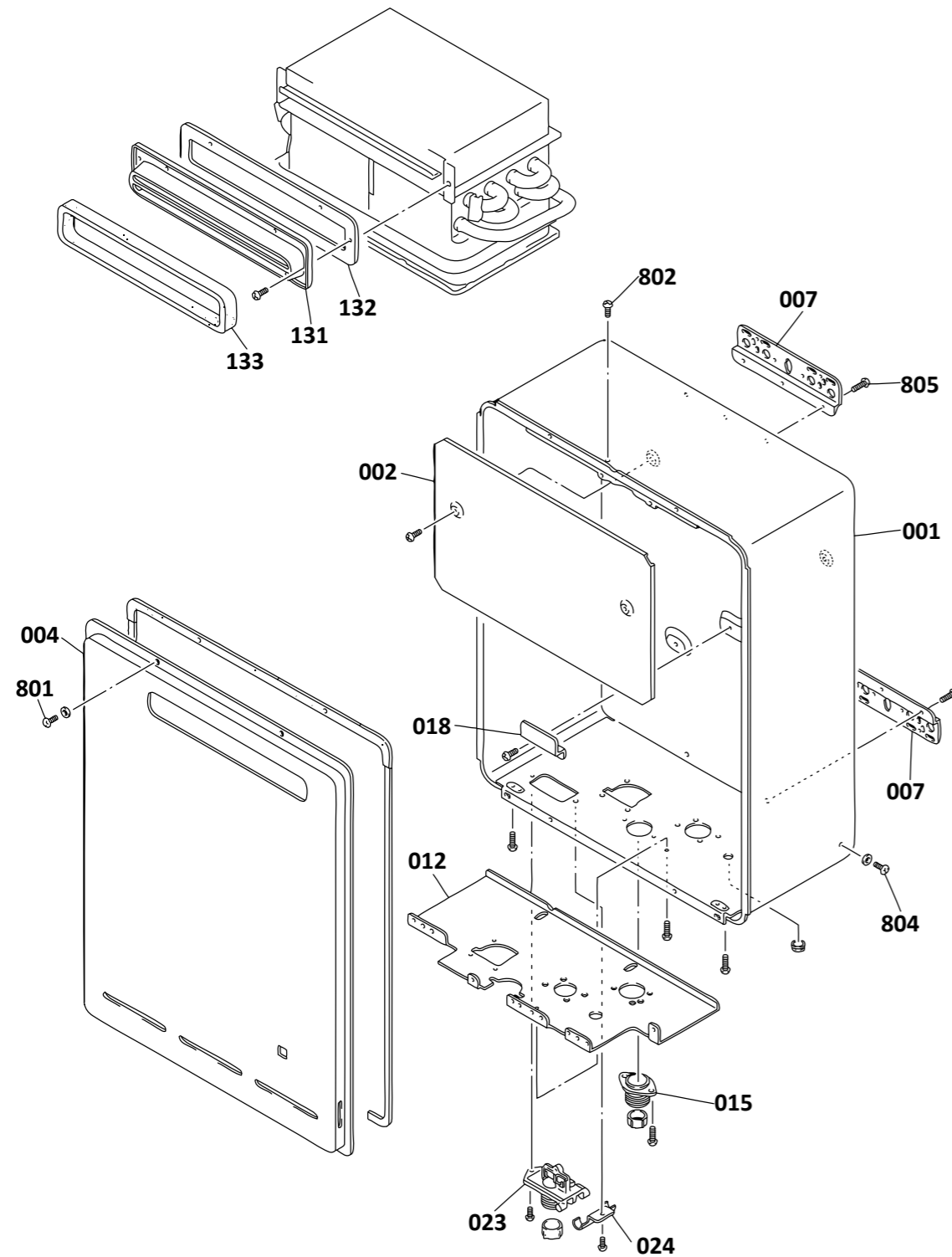


Infinity HD250 (REU-VM3237WC) external water heater

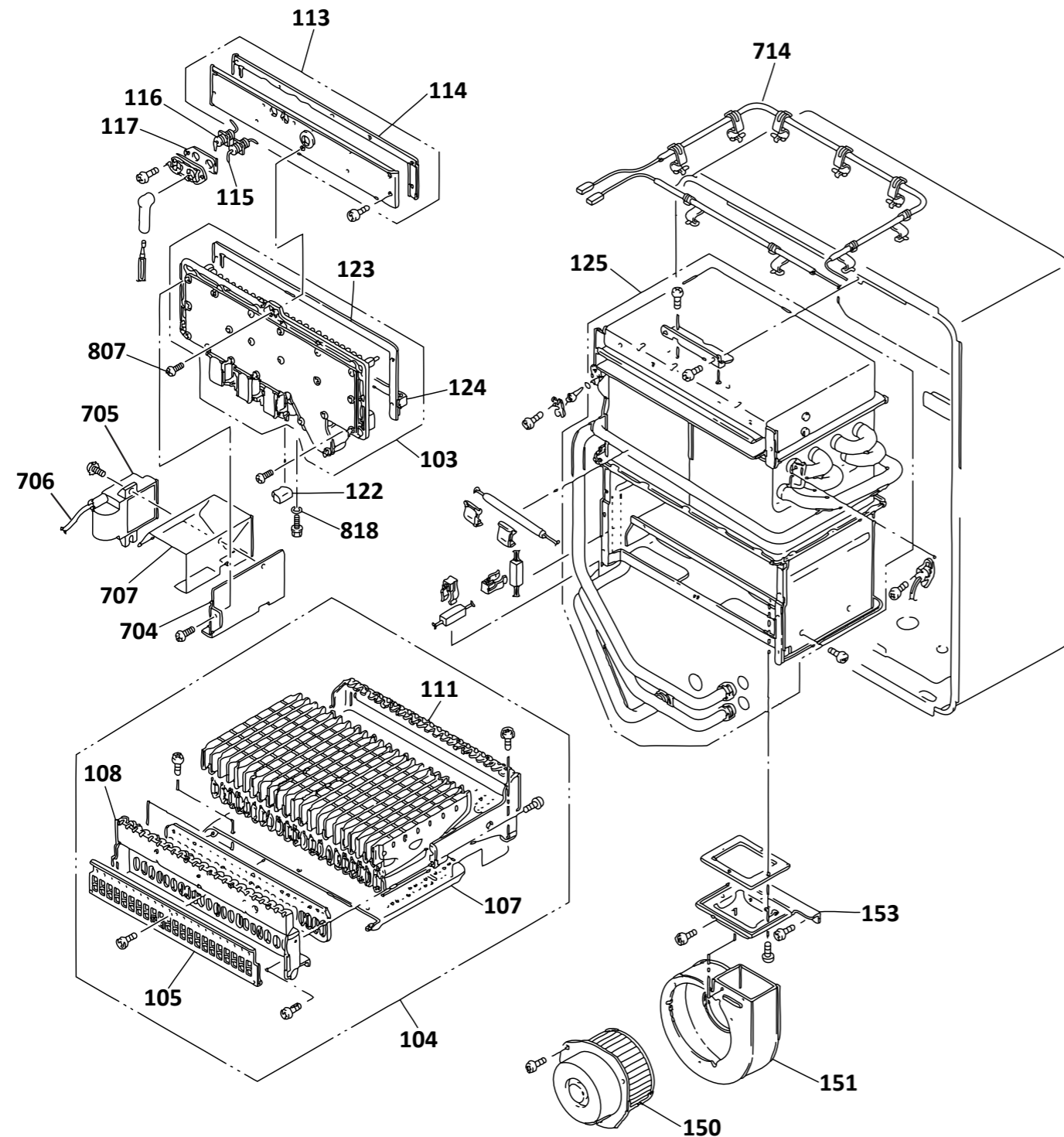
This diagram is provided to assist you to identify parts if replacement is necessary. Contact your place of purchase or the manufacturer to enquire about parts, availability and/or service.



Ref.	Description	Qty.	Part No.
SI = stocked item			
001	Casing assembly	1	3292
002	Heat protection plate	1	3294
004	Front panel assembly	1	3296 (SI)
007	Wall bracket	2	3387 (SI)
012	Panel connection	1	3300
015	Cable connection	1	3896 (SI)
018	Reinforcement plate	1	3303
023	Cable access assembly	1	3310 (SI)
024	Cable access bracket	1	3311
131	Flue outlet	1	3555 (SI)
132	Flue outlet packing	1	3479 (SI)
133	Flue outlet packing	1	3344
801	Screw pack for front panel	1	R5040
802	Screw	2	4763
804	Screw	8	4765
805	Screw	5	4767

Infinity HD250 (REU-VM3237WC) external water heater

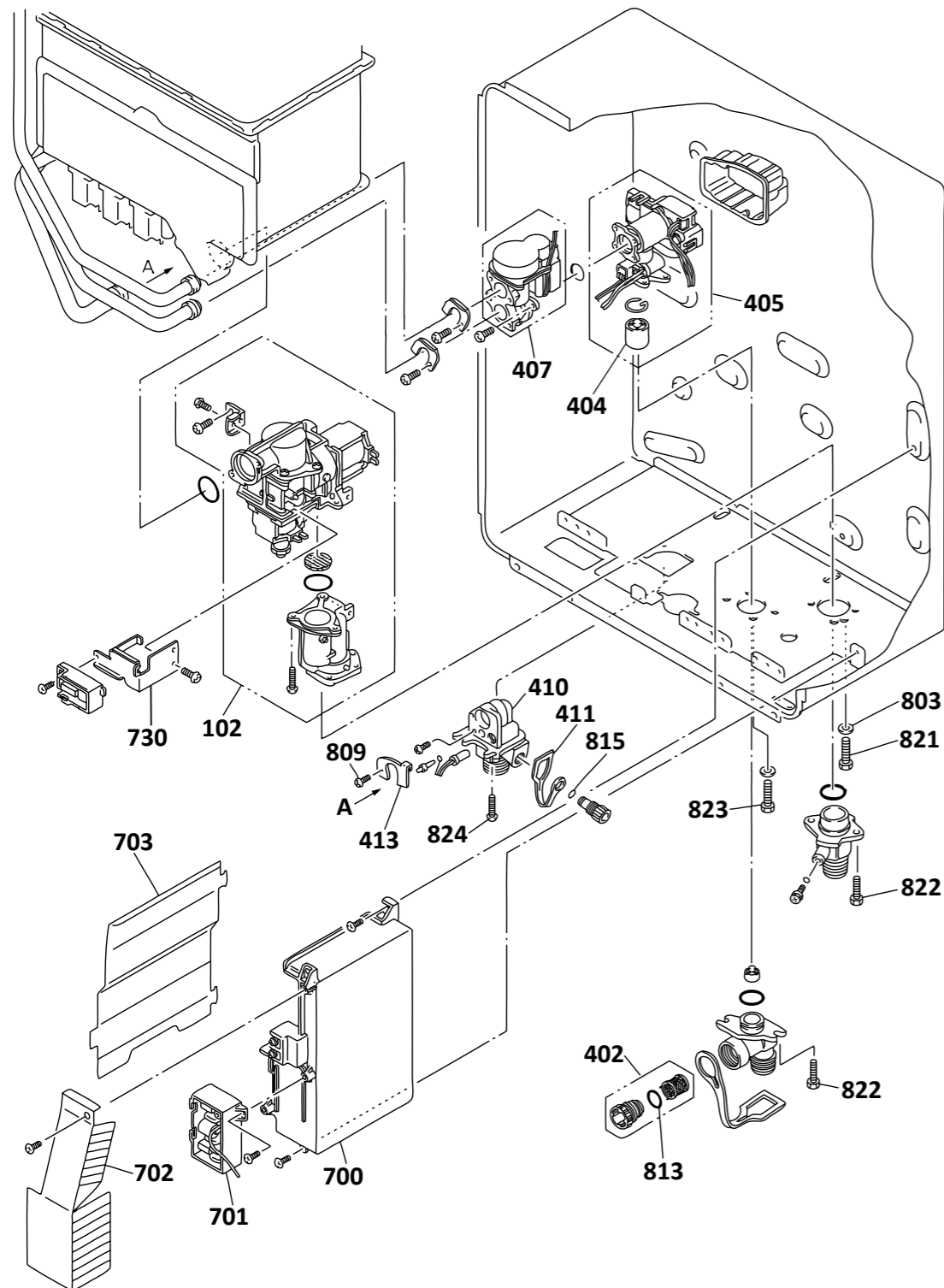
This diagram is provided to assist you to identify parts if replacement is necessary. Contact your place of purchase or the manufacturer to enquire about parts, availability and/or service.



Ref.	Description	Qty.	Part No.
SI = stocked item			
103	Manifold assembly NG	1	3314
103	Manifold assembly LPG	1	3313 (SI)
104	Burner unit assembly	1	3315
105	Damper NG	1	3316
105	Damper LPG	1	3337
107	Burner case bottom plate	1	3317
108	Burner case front	1	3318
111	Burner case back panel	1	3319
-	Combustion chamber front panel assembly, use parts 113 and 114	1	-
113	Combustion chamber front plate	1	5326
114	Combustion chamber front plate packing	1	3443
115	Electrode	1	3445
116	Flame rod	1	4916
117	Electrode packing	1	3322
122	Solenoid valve cover	1	3323
123	Upper combustion chamber packing	1	3324
124	Lower combustion chamber packing	1	3325
125	Heat exchanger complete assembly	1	3327 (SI)
150	Fan motor	1	2883 (SI)
151	Fan motor casing	1	2863 (SI)
153	Fan connecting bracket	1	3763
704	Ignitor bracket	1	3952
705	Ignitor	1	2886
706	HT lead	1	3651
707	Ignitor cover	1	3953
714	Thermal fuse harness	1	4753
807	Screw	5	4768

Infinity HD250 (REU-VM3237WC) external water heater

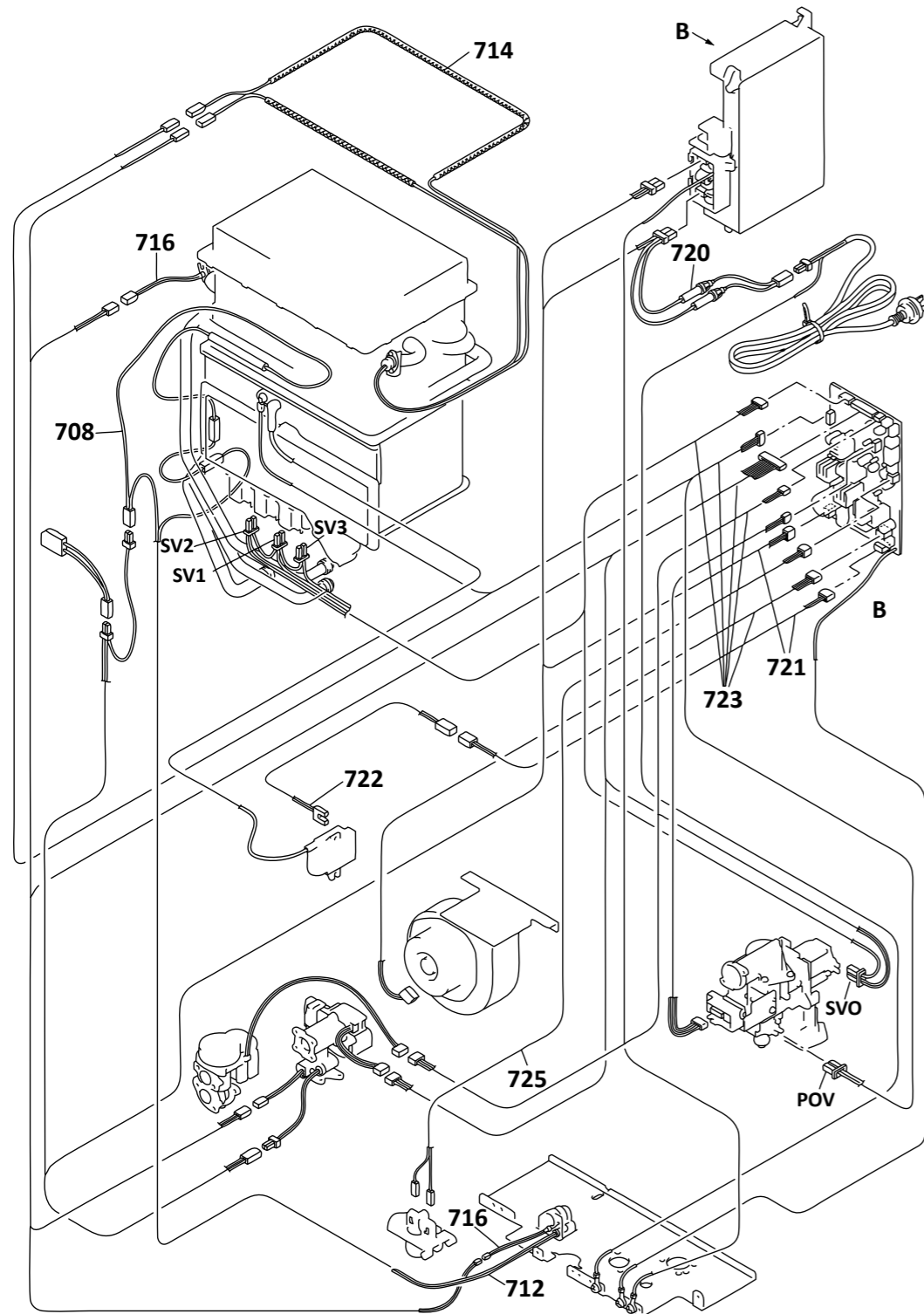
This diagram is provided to assist you to identify parts if replacement is necessary. Contact your place of purchase or the manufacturer to enquire about parts, availability and/or service.



Ref.	Description	Qty.	Part No.
SI = stocked item			
102	Gas control assembly	1	3312
402	Incoming water filter	1	3839 (SI)
404	Water turbine	1	2850
405	Flow servo & sensor assembly (with valve heater)	1	3943 (SI)
407	Bypass servo assembly	1	3944 (SI)
410	Hot water outlet ¾ NPT	1	3946
411	Plug band hot water	1	2926
413	Stop bracket	1	3948
700	PCB	1	3949
701	Surge protector	1	4930 (SI)
702	PCB front cover	1	3950
703	PCB side cover	1	3951
730	Status monitor bracket	1	4761
809	Screw	3	4769
821	Screw	1	4770
822	Screw	4	4771
823	Screw	2	4772
824	Screw	3	4773

Infinity HD250 (REU-VM3237WC) external water heater

This diagram is provided to assist you to identify parts if replacement is necessary. Contact your place of purchase or the manufacturer to enquire about parts, availability and/or service.



Ref.	Description	Qty.	Part No.
SI = stocked item			
708	230 V A-frost heater assembly	1	3955
712	230 V valve heater assembly	1	4752
714	Thermal fuse harness	1	4753
716	Thermistor	1	2884 (SI)
720	Fuse harness (no heater)	1	4755
720	Fuse harness antifrost (with heater)	1	4756
721	220 V power supply harness	1	4757
722	220 V ignitor harness	1	4758
723	Sensor harness	1	4759
725	Remote control harness	1	4760