

Rinnai

PIPE COVER PCD07

To suit Rinnai water heater models:

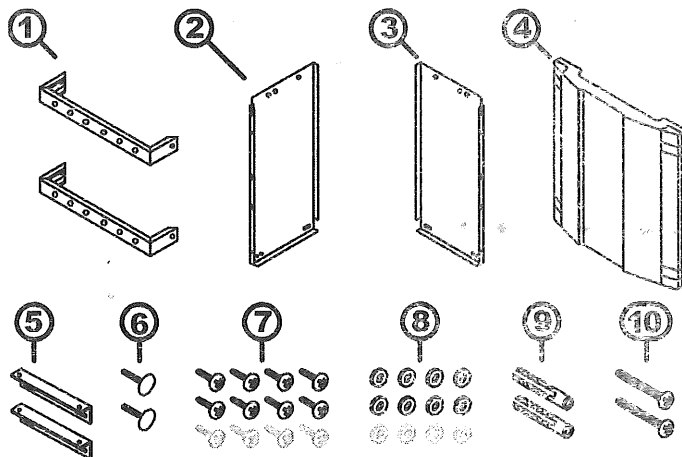
REU-KM3237WD
 REU-KM3237FFUD
 REU-KM2635WD
 REU-KM2635FFUD

RC98HPe (REU-KA3237WD)
 RC98HPi (REU-KA3237FFUD)
 RC80HPe (REU-KA2530WD)
 RC80HPi (REU-KA2530FFUD)

PIPE COVER PCD07 COMPONENTS

The PCD07 pipe cover comes complete with the following items:

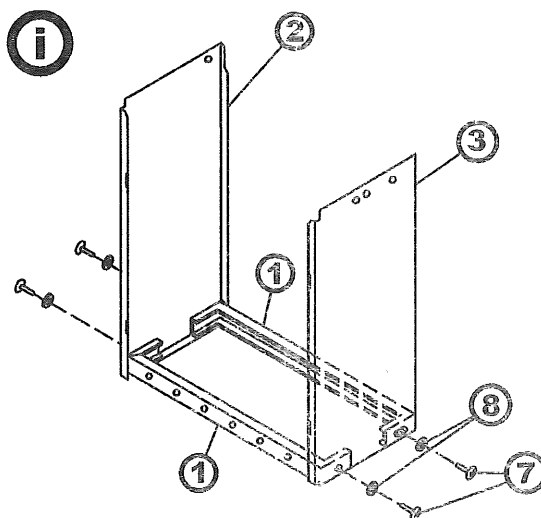
Part No.	Description	Quantity
①	Bottom Frame	2
②	Left Panel	1
③	Right Panel	1
④	Front Panel	1
⑤	L Bracket	2
⑥	Plastic Retaining Clip	2
⑦	Screw M4x12	12
⑧	Plastic Washer M4	12*
⑨	Wall Anchor	2
⑩	Screw $\phi 4.8 \times 32$	2



* Four of the M4x12 screws ⑦ and four of the M4 plastic washers ⑧ are not required for Australian Installations.

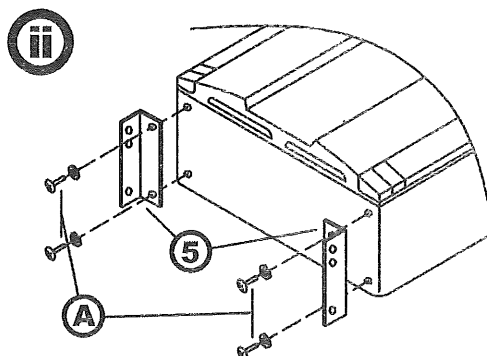
① INITIAL ASSEMBLY

- Secure the two bottom frames ① to the left ② and right ③ panels with screws ⑦ and plastic washers ⑧.



② APPLIANCE PREPARATION

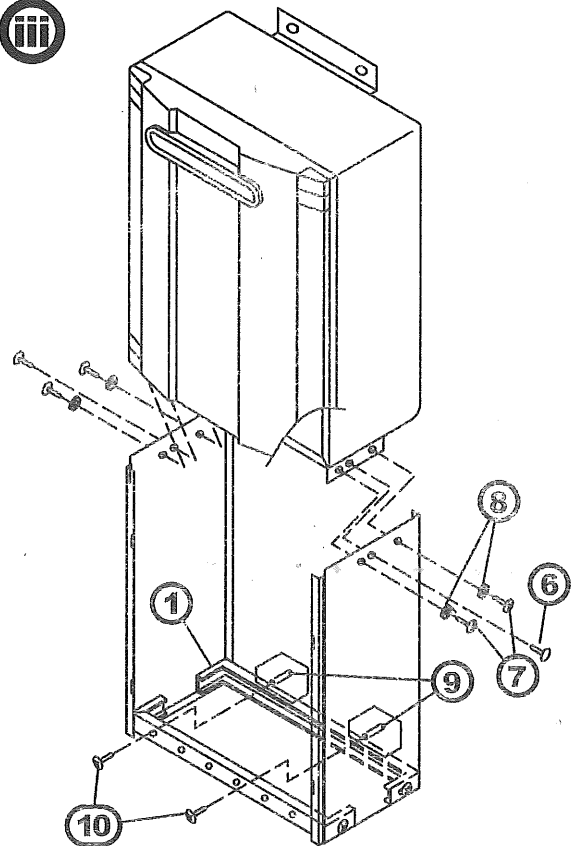
- Remove the four mounting screws and plastic washers (A) from the outside bottom of the appliance and retain for use in step 3.
- Install the two L brackets (5) to the bottom of the appliance with the screws and washers (A) removed in step 2, ensuring the tab of the L brackets face to the outside of the appliance.



PIPE COVER PCD07

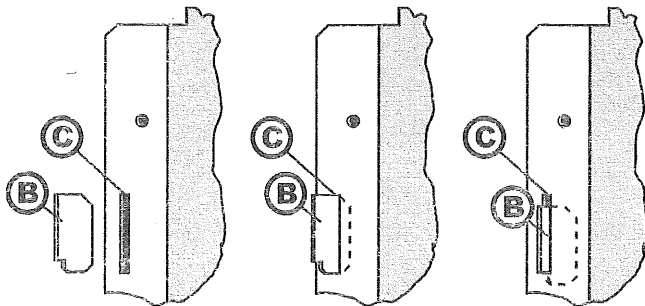
iii PIPE COVER INSTALLATION

4. Temporarily fit the pipe cover assembly to the L brackets ⑤, using two screws ⑦ (one per side), **DO NOT** fully tighten these screws as they will be removed again in step 8.
5. Loosen the screws of the 'rear' bottom frame ① and move the frame into its final position. Once satisfied re-tighten screws.
6. Select two suitable fixing points through the 'rear' of the bottom frame ① and mark off their position on the wall.
7. Remove the pipe cover assembly from the appliance and drill two holes in the wall as marked. If using the wall anchors ⑨ supplied a 5mm (0.2 inch) diameter hole to the depth of 25mm (1.0 inch) is required.
8. Gently tap the wall anchors ⑨ into the drilled holes until flush with the wall surface.
9. Refit and secure the pipe cover assembly to the L brackets ⑤, using the screws ⑦ and plastic washers ⑧.
10. Fit plastic retaining clips ⑥.
11. Secure the pipe cover to the wall through the 'rear' bottom frame ② with two screws ⑩.



iv FITTING FRONT PANEL

12. Attach the front panel ④ to the pipe cover assembly by inserting the four tab hooks ② into the slots ③ of the left ② and right ③ panels (see tab hook and slot detail below).

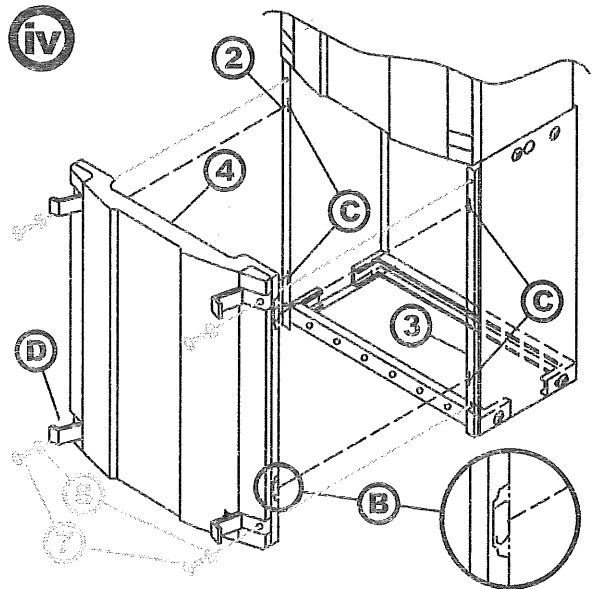


13. **DO NOT** perform the following on Australian installations!

To secure the front panel ④ to the pipe cover assembly, open the four tabs at the top and bottom corners and secure with screws ⑦ and plastic washers ⑧, then close tabs.



An approved weatherproof electrical GPO can be located inside the pipe cover. Installation of the GPO must comply with AS/NZS 3000 Wiring Rules. (Australia and New Zealand installations Only)



Rinnai

For installation related inquiries concerning this product please contact Rinnai, see the operation / installation manual for your local Rinnai Help Line contact details.

