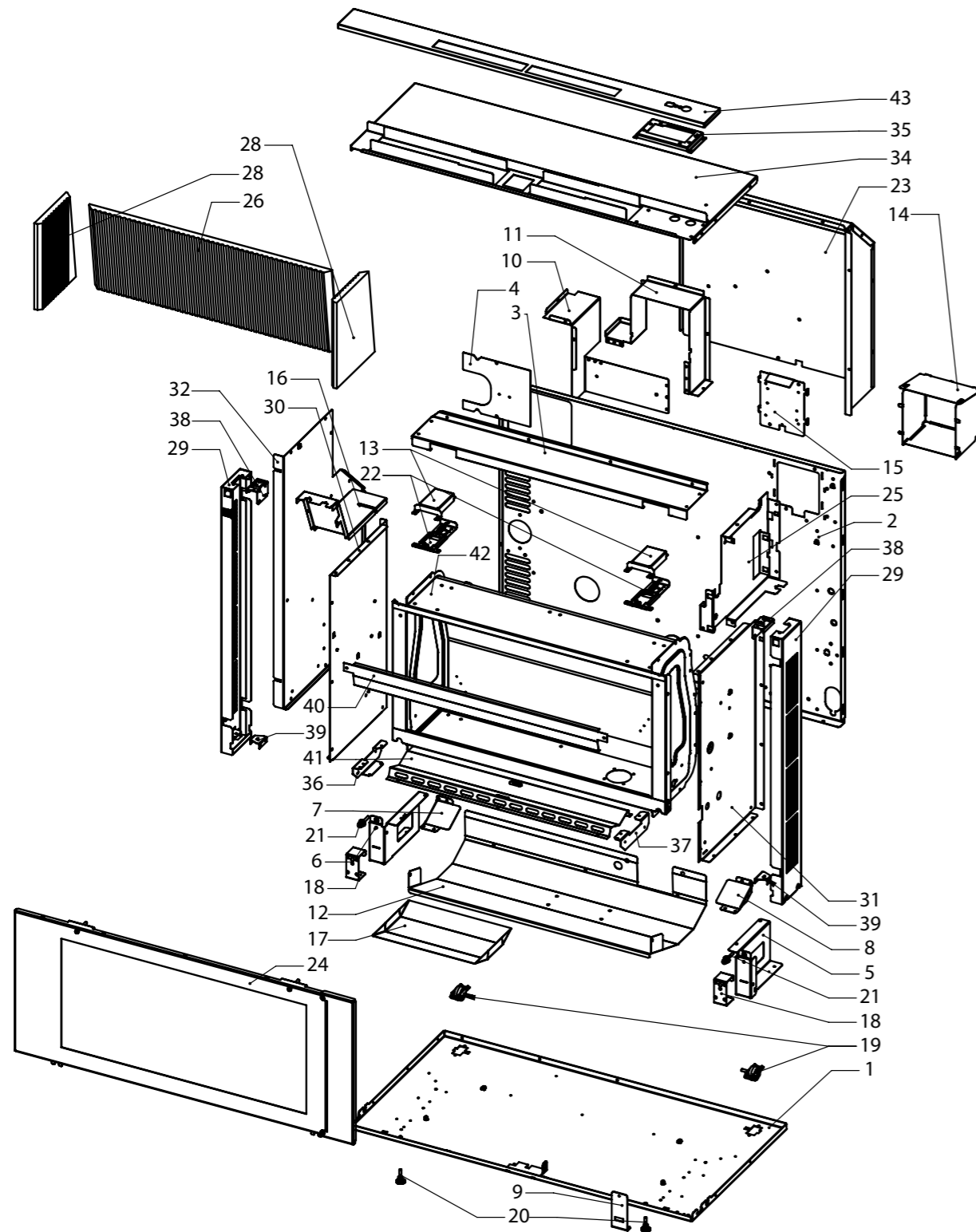


Arriva 752 gas fireplace

This diagram is provided to assist you to identify parts if replacement is necessary. Contact your place of purchase or the manufacturer to enquire about parts, availability and/or service.



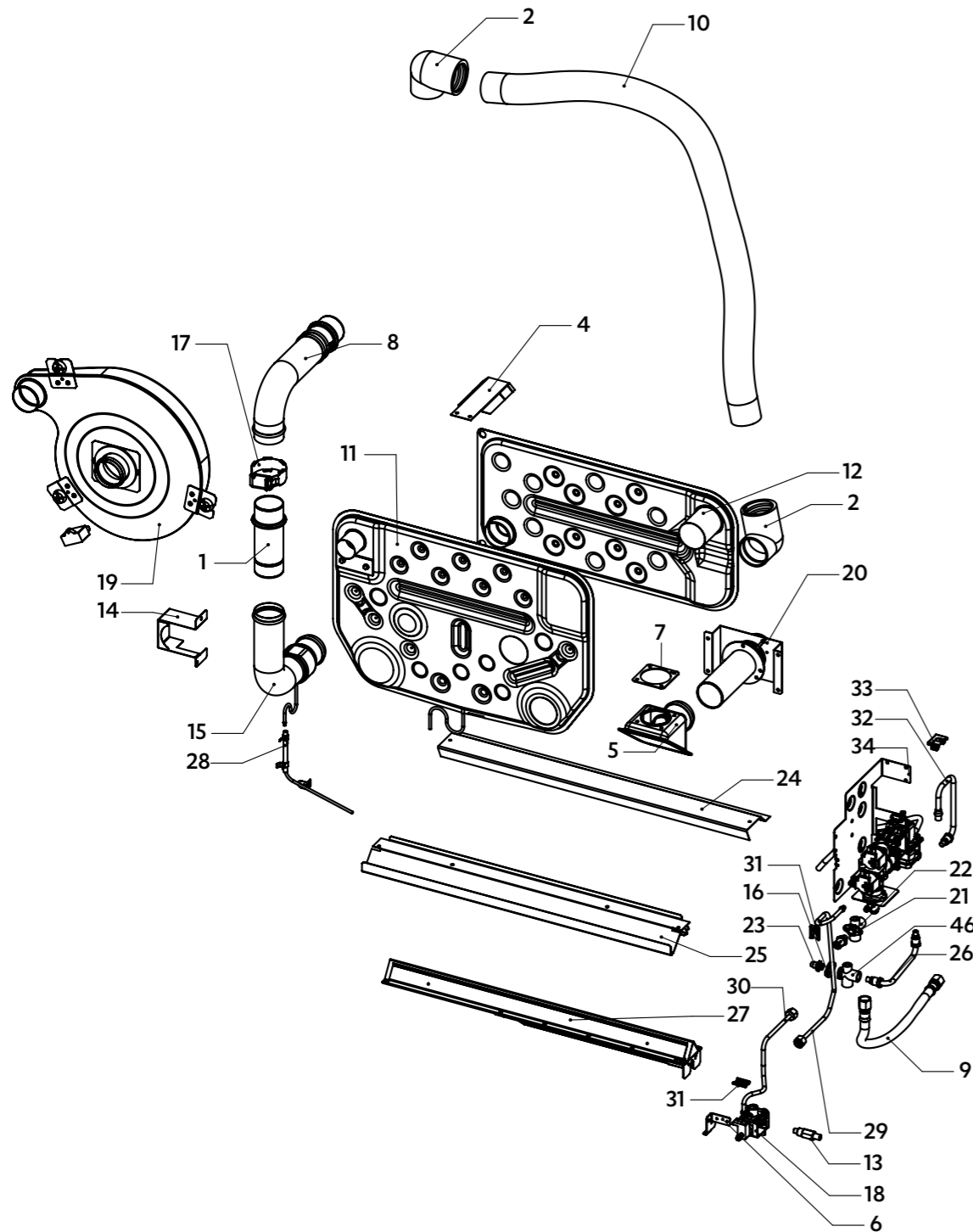
Ref.	Description	Qty.	Part No.
1	Panel base	1	10201
2	Panel heat shield rear	1	10204
3	Panel fan infill	1	10208
4	Panel cover flue outlet	1	10213
5	Bracket comb. chamb. support RH	1	Not available*
6	Bracket comb. chamb. support LH	1	Not available*
7	Panel air diverter LH	1	10231
8	Panel air diverter RH	1	10232
9	Bracket receiver	1	10255
10	Panel comb. fan inlet A	1	10263
11	Panel rear inlet B	1	10264
12	Panel air guide lower black	1	10209M
13	Glass retaining slide cover	2	10390
14	Panel cover transformer	1	10412
15	Bracket transformer mount	1	10413
16	Panel comb. fan flue divider	1	10432
17	Condensate tray	1	10450
18	Bracket front mount	2	10458
19	Wheel kit	2	10751
20	Foot kit	2	10777
21	Glass retainer spring kit	2	10778
22	Glass retainer slide assembly	2	10780
23	Combustion fan cover	1	10781
24	Combustion chamber glass assy.	1	10782
25	Main PCB bracket assy.	1	10786
26	Ceramic panel grooved rear	1	12221
28	Liners ceramic LH & RH set	1	R2743
29	Filter assembly painted galaxy	2	12223GL
30	Panel heat shield LH	1	12230
31	Panel heat shield RH	1	12231
32	Panel outer LH	1	12232
33	Panel outer RH	1	12233

Ref.	Description	Qty.	Part No.
34	Panel top assy.	1	12234
35	Brkt control mount	1	12235
36	Brkt burner surround LH	1	12238
37	Brkt burner surround RH	1	12239
38	Brkt filter top	2	12248
39	Brkt filter bottom	2	12249
40	Top deflector black	1	12252F
41	Panel air distribution	1	12254
42	Comb. chamber assy.	1	12210
43	Panel top	1	12309

* Non-serviceable part

Arriva 752 gas fireplace

This diagram is provided to assist you to identify parts if replacement is necessary. Contact your place of purchase or the manufacturer to enquire about parts, availability and/or service.

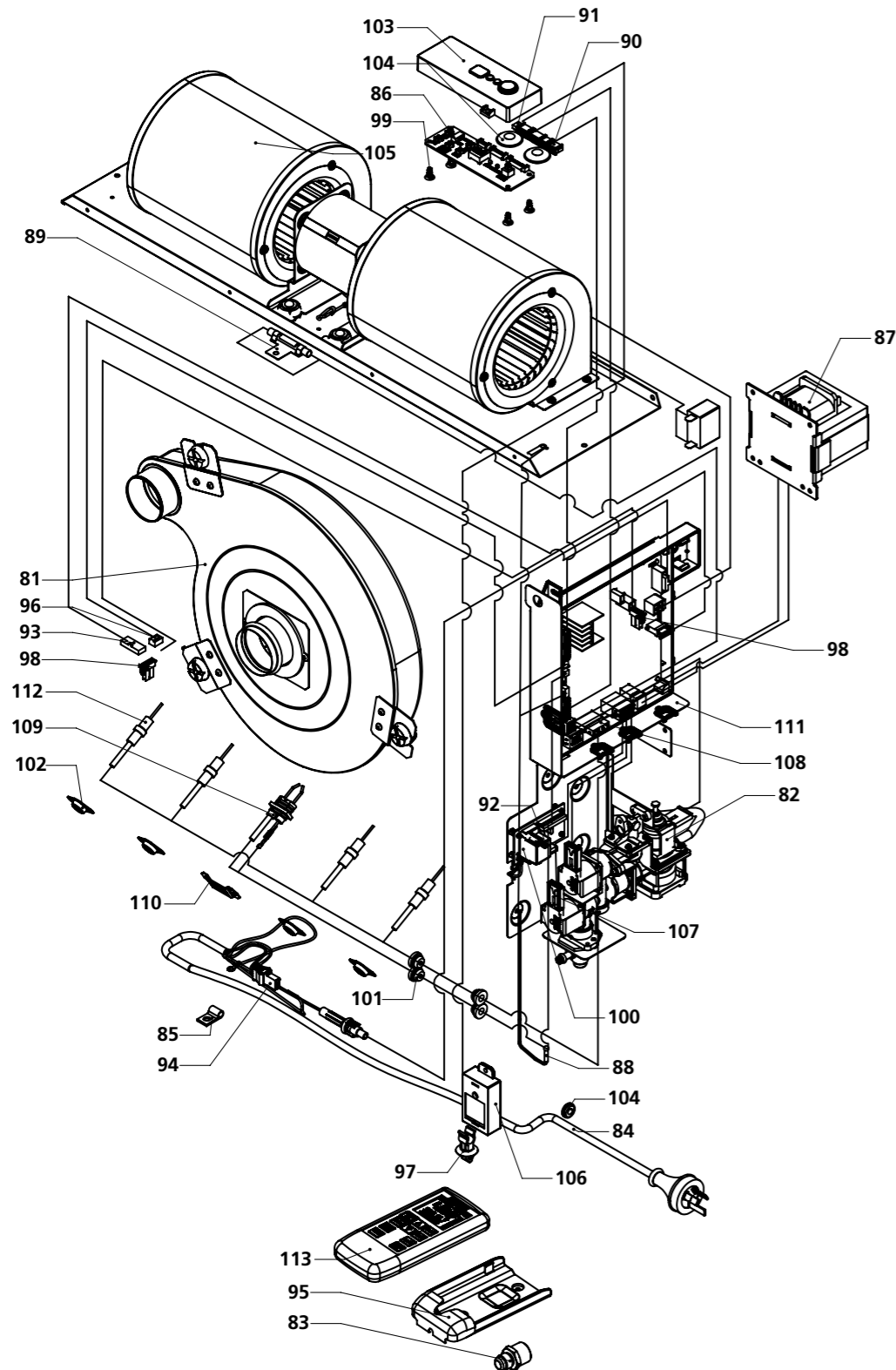


Ref.	Description	Qty.	Part No.
1	Tube flue slide 50 x 135	1	4326
2	Air inlet elbow B 50 x 50	2	4328
4	Brkt heat exchanger top	1	10227
5	Air inlet box front	1	10234
6	Brkt regulator mount	1	10267
7	Packing for air inlet box	1	10271
8	Flue pipe set	1	10313
9	Hose SS 3/8 SAE	1	10330
10	Air inlet hose	1	10349
11	Front heat exchanger assy.	1	10350
12	Rear heat exchanger	1	10351
13	Test point CC	1	10429
14	Brkt comb. fan exhaust	1	10440
15	Flue pipe condensate	1	10446
16	Packaging injector block	1	10462
17	Clamp flue 50 mm	1	10478
18	Regulator assy. 7~13 mbar	1	10789
19	Comb. fan assy.	1	10793
20	Air inlet assy	1	10795
21	Bypass adaptor 0.8 LPG	1	12207
22	Injector block A + B + C	1	12208
23	Injector 1.75 ULPG	1	12209
24	Burner surround rear	1	12240
25	Burner surround front	1	12236F

Ref.	Description	Qty.	Part No.
26	Tube gas main	1	12267
27	Burner spare part kit	1	12300
28	Condensate hose pipe kit	1	12301
29	Gas tube pilot kit	1	12302
30	Gas tube ignition kit	1	12303
31	Gas tube retainer kit	2	12304
32	Gas tube bypass kit	1	12305
33	Bypass gas tube retainer	1	12306
34	Gas control spare part	1	12308
35	Screw 2 truss 4 x 8 tap zinc	1	9151
46	Injector block A + C 1/4 BSP	1	7953

Arriva 752 gas fireplace

This diagram is provided to assist you to identify parts if replacement is necessary. Contact your place of purchase or the manufacturer to enquire about parts, availability and/or service.

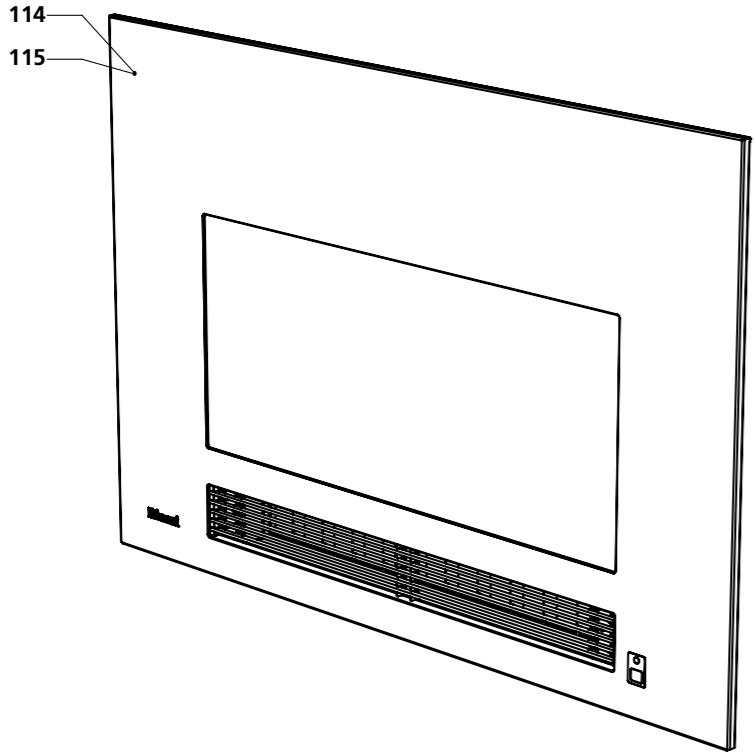


Ref.	Description	Qty.	Part No.
81	Combustion fan assembly	1	10793
82	Gas control	1	12308
83	Reducing flare $\frac{3}{8} \times \frac{1}{2}$ (adaptor for hose—to connect to main gas supply)	1	5074
84	Power cord uni control black	1	13042
85	Power cord clamp	1	9552
86	PCB display	1	10253
87	Transformer	1	10258
88	Harness room thermistor	1	13033
89	Harness OHS thermal fuse	1	10283
90	Harness control panel	1	10284
91	Harness receiver	1	12656
92	HT lead	1	12657
93	Harness combustion fan	1	10289
-	Capacitor combustion fan	1	10744
94	Harness fused power	1	10378
95	Remote control bracket	1	10396
96	Harness combustion fan speed	1	10480
97	Clip pipe 8 mm single	1	10482
98	Harness combustion fan thermistor fly	1	10507
99	Control PCB spacer kit	1	10765
100	Sparker kit (includes PCB spacers)	1	10766
101	Grommet kit	1	10767
102	Flame rod bracket kit (contains 4 brackets)	1	10770
103	Control pan cover kit (includes button)	1	10773
104	Body plug kit (contains 2 x body plugs and 1 x power cord grommet)	1	10779
105	Convection fan assembly	1	10791
106	Receiver assembly	1	10798
107	Wiring harness	1	12202
108	Harness flame rod	1	12203
109	Double electrode	1	12204
110	Electrode bracket	1	12243
111	PCB assembly	1	12307
112	Flame rod kit	1	12310
113	Remote control	1	12201

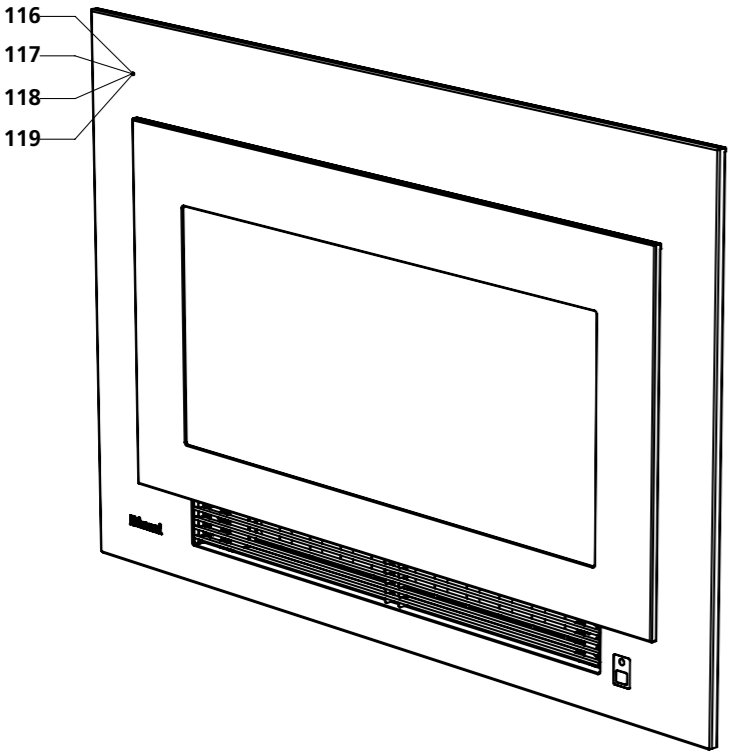


Arriva 752 gas fireplace

This diagram is provided to assist you to identify parts if replacement is necessary. Contact your place of purchase or the manufacturer to enquire about parts, availability and/or service.



Ref.	Description	Qty.	Part No.
Single fronted - flat fascia			
114	Fascia black	1	R2711
114	Fascia stainless steel	1	R7712



Ref.	Description	Qty.	Part No.
Double fronted fascia			
116	Fascia stainless steel inner on black outer	1	R2713
117	Fascia black inner on black outer	1	R2714
118	Fascia stainless steel inner on stainless steel outer	1	R2715
119	Fascia black inner on stainless steel outer	1	R2716