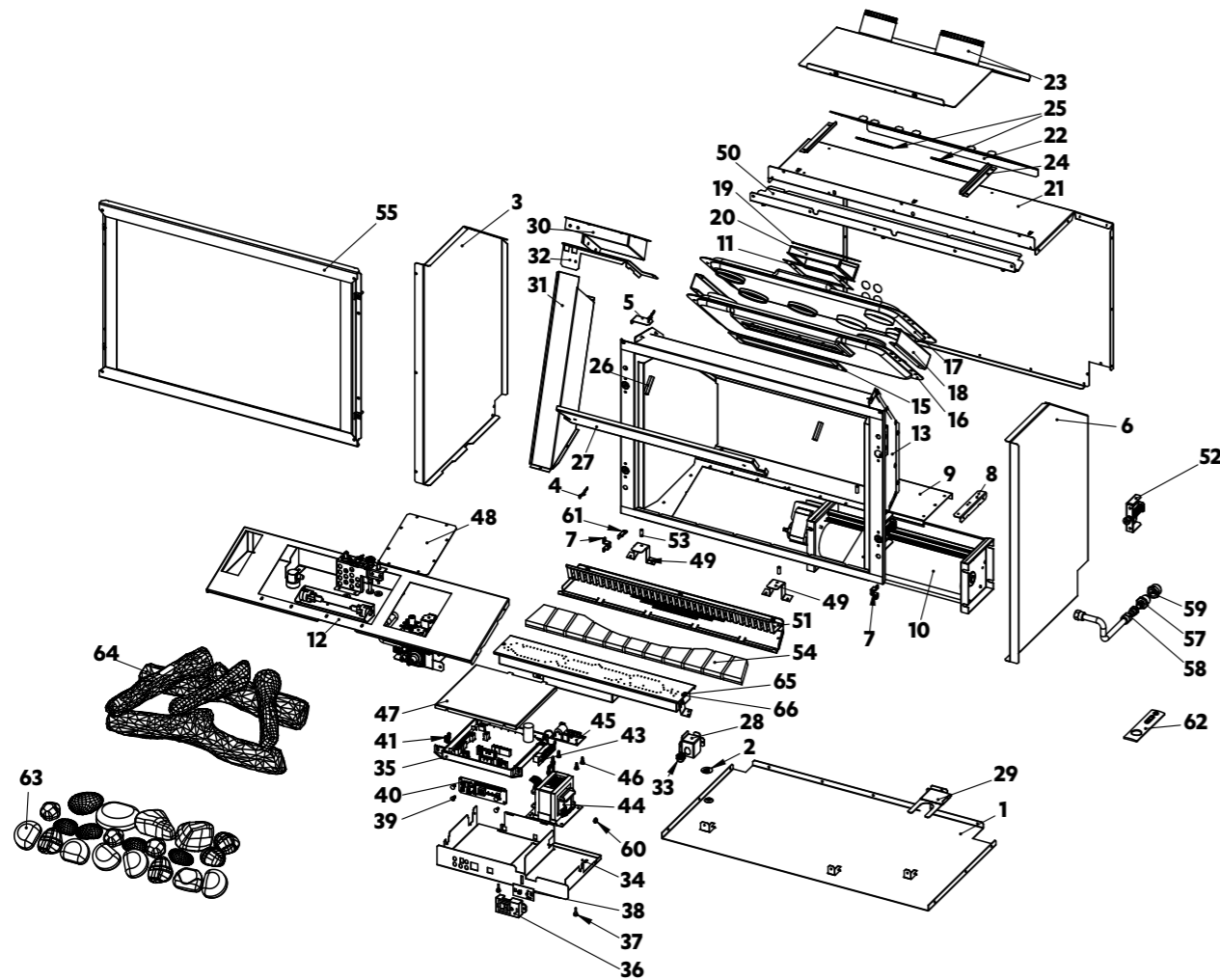


Ember 700 gas fireplace

This diagram is provided to assist you to identify parts if replacement is necessary. Contact your place of purchase or the manufacturer to enquire about parts, availability and/or service.

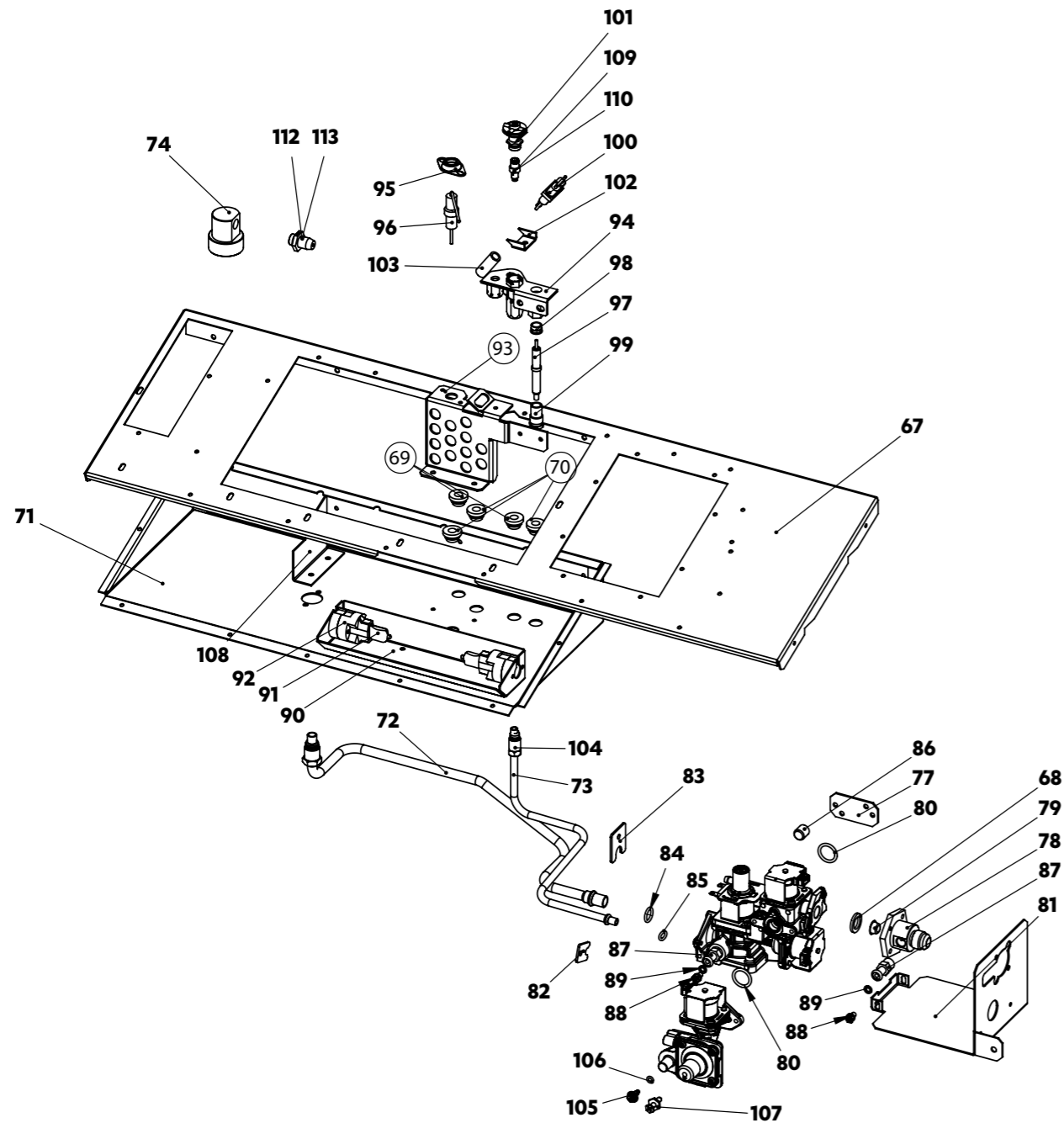


| Ref. | Description | Qty. | Part No. |
|------|-------------------------------------|------|------------|
| 1 | Panel bottom | 1 | 12800 |
| 2 | Tag earth symbol | 1 | 11269 |
| 3 | Panel side LH | 1 | 12801 |
| 4 | Wire tie 80 mm | 5 | 14417 |
| 5 | Thermal bracket | 1 | 12938 |
| 6 | Panel side RH | 1 | 12802 |
| 7 | Fascia install bracket | 2 | 12858 |
| 8 | Fan mounting bracket | 1 | 12809 |
| 9 | Bracket fan | 1 | 12964 |
| 10 | Fan TGA | 1 | 12962 |
| 11 | Gasket heat exchanger square | 1 | 10926 |
| 12 | Gas control assembly | 1 | refer p. 2 |
| 13 | Combustion chamber painted | 1 | 12812F |
| 14 | CC spring bracket | 4 | 12818 |
| 15 | Gasket heat exchanger rectangle | 1 | 10925 |
| 16 | Heat exchanger front | 1 | 10890 |
| 17 | Heat exchanger rear | 1 | 10891 |
| 18 | Heat exchanger bracket | 1 | 11560 |
| 19 | Gas adaptor square | 1 | 12909 |
| 20 | Flue transition assembly | 1 | 12821 |
| 21 | Rear panel | 1 | 12806 |
| 22 | Flue mounting plate | 1 | 12807 |
| 23 | Flue spigot adaptor assembly | 1 | 12808 |
| 24 | Guide flue adaptor | 1 | 10469 |
| 25 | Glass seal tape 2 m replacement kit | 1 | R7010 |
| 26 | Combustion top spacer | 1 | 11551 |
| 27 | Combustion heat shield top black | 1 | 12813F |
| 28 | Electronic inlet cover bracket | 1 | 12857 |
| 29 | Gas inlet cover bracket | 1 | 12860 |
| 30 | Air inlet horizontal | 1 | 12905 |
| 31 | Air inlet vertical | 1 | 12906 |
| 32 | Overheat thermistor bracket | 1 | 12939 |
| 33 | Power cord holder | 1 | 7845 |
| 34 | Electronic slide base assembly | 1 | 12811 |
| 35 | PCB main | 1 | 12966 |
| 36 | PCB case receiver | 1 | 10394 |

| Ref. | Description | Qty. | Part No. |
|------|----------------------------------|------|----------|
| 37 | Self fix bumper 25-TNF 10/2 | 2 | 11304 |
| 38 | PCB receiver | 1 | 10393 |
| 39 | PCB spacer 05-PCY06 | 1 | 10428 |
| 40 | PCB display | 1 | 10253 |
| 41 | Protector plastic edge EHS11U | 3 | 1880 |
| 42 | Protector plastic edge EHS18U | 2 | 10471 |
| 43 | Interface board | 1 | 12494 |
| 44 | Transformer | 1 | 10258 |
| 45 | Igniter EI-2018 | 1 | 13006 |
| 46 | PCB spacer | 4 | 9004 |
| 47 | PCB box lid | 1 | 12929 |
| 48 | Service panel | 1 | 12934 |
| 49 | Log support rear | 2 | 12912F |
| 50 | Air guide top black | 1 | 12814B |
| 51 | Stone grill | 1 | 12925F |
| 52 | Explosion relief assembly | 4 | 11662 |
| 53 | Spacer MSX16 CF-516ZE | 4 | 9086 |
| 54 | Ceramic panel front | 1 | 12908 |
| 55 | Glass frame assembly | 1 | 12965 |
| 56 | Room thermistor bracket | 1 | 12916 |
| 57 | Flextube 3/8 x 8 c/w 5/8-18 nuts | 1 | 7835 |
| 58 | Adaptor 1/2 BSP 3/8 SAE flare | 1 | 11944 |
| 59 | Brass plug 3/8 SAE flare | 1 | 11948 |
| 60 | Nut 1/2 compression | 1 | 5064 |
| 61 | Rubber grommet IMG010 | 1 | 6749 |
| 62 | Room thermistor bracket | 1 | 12916 |
| 63 | IR remote control | 1 | 13040 |
| 64 | Media stones | 1 | R2421 |
| 65 | Log set | 1 | R2420 |
| 66 | Burner assembly black NG | 1 | 12922F |
| 67 | Burner assembly black ULPG | 1 | 12941F |

Ember 700 gas fireplace

This diagram is provided to assist you to identify parts if replacement is necessary. Contact your place of purchase or the manufacturer to enquire about parts, availability and/or service.

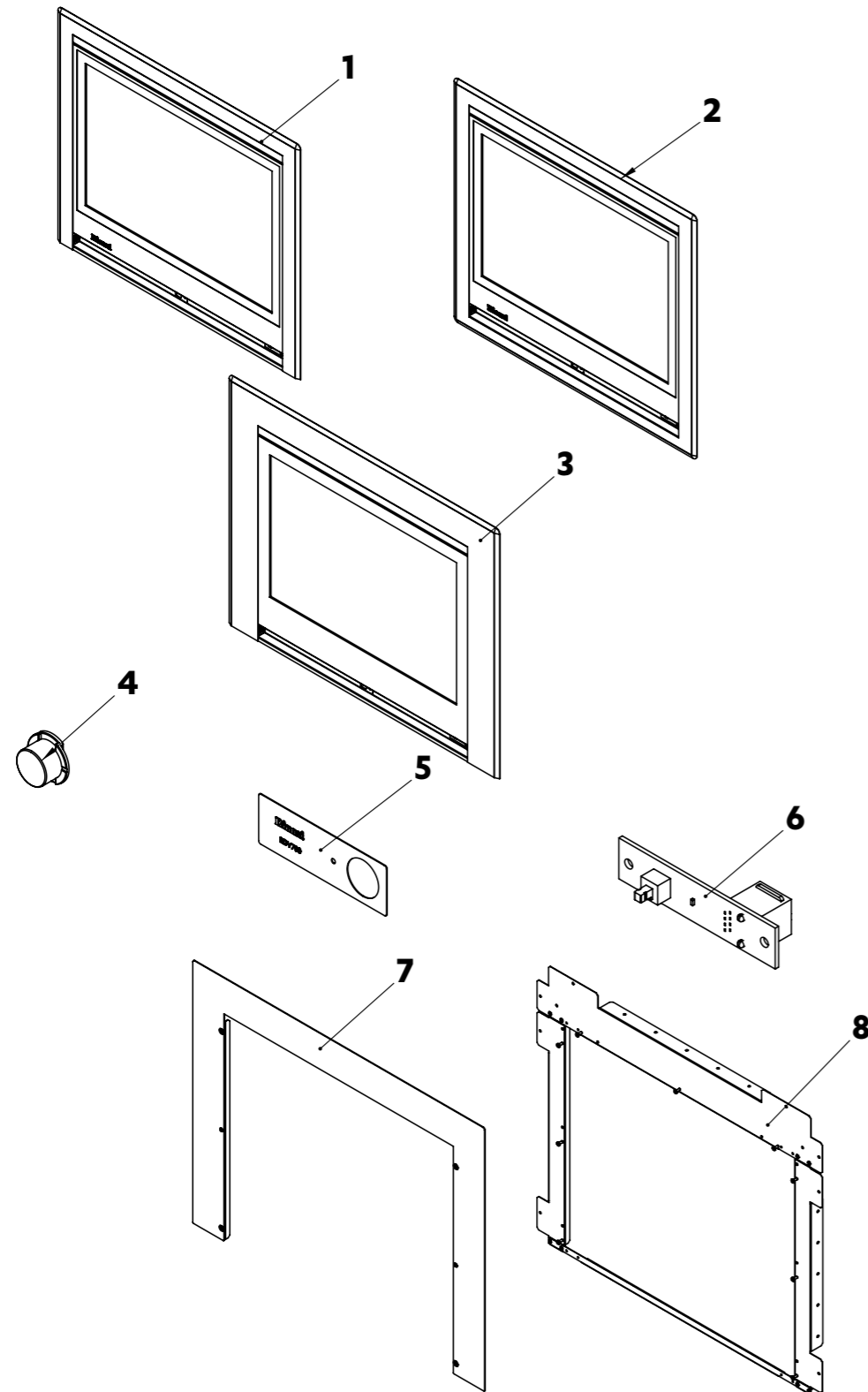


| Ref. | Description | Qty. | Part No. |
|------|--------------------------------|------|----------|
| 67 | Burner support | 1 | 12822 |
| 68 | Packing | 1 | 10290 |
| 69 | Grommet silicone Ø4 hole | 3 | 10293 |
| 70 | Grommet silicone 2 Ø1.8 hole | 2 | 10294 |
| 71 | Burner air inlet | 1 | 12825 |
| 72 | Gas supply tube main | 1 | 12827 |
| 73 | Gas supply tube pilot | 1 | 12828 |
| 74 | Injector block | 1 | 12838 |
| 75 | Gas valve main | 1 | 13000 |
| 76 | Pilot regulator | 1 | 13001 |
| 77 | Cover plate | 1 | 13003 |
| 78 | Gas inlet adaptor 3/8 flare | 1 | 13015D |
| 79 | Filter RCK-6808-2 | 1 | 13019 |
| 80 | O-ring M10B-1-14 | 2 | 13020 |
| 81 | Mounting bracket | 1 | 13026 |
| 82 | Tube clamp 6 mm | 1 | 13028 |
| 83 | Tube clamp 10 mm | 1 | 13029 |
| 84 | O-ring M10B-1-10 | 1 | 2389 |
| 85 | O-ring M10B-1-6 | 1 | 6308 |
| 86 | Plug dryseal pressure 1/8" BSP | 1 | 6243 |
| 87 | Pressure test point | 2 | 9992 |
| 88 | Pressure test point screw | 2 | 9994 |
| 89 | Pressure test point packing | 2 | 9995 |
| 90 | Lamp holder mounting bracket | 1 | 12897 |

| Ref. | Description | Qty. | Part No. |
|------|-----------------------------------|------|----------|
| 91 | Lamp G9 20 W 240 V | 1 | 12899 |
| 92 | Lamp holder (Stuuchi G9-227) | 2 | 12898 |
| 93 | Pilot bracket | 1 | 12824 |
| 94 | Pilot body top convertible | 1 | 7870 |
| 95 | Flame rod bracket | 1 | 3068 |
| 96 | Flame rod | 1 | 12620 |
| 97 | Electrode | 1 | 7875 |
| 98 | Spacer electrode pilot | 1 | 7902 |
| 99 | Electrode nut ETR | 1 | 7900 |
| 100 | Electrode double | 1 | 10265 |
| 101 | Pilot convertible hood 3-flame | 1 | 10272 |
| 102 | Electrode clamp universal control | 1 | 13043 |
| 103 | Electrode sheath silicone PK2 | 1 | 12931 |
| 104 | Olive 6 mm | 1 | 7519 |
| 105 | Test point screw C10D-5-1 | 1 | 3564 |
| 106 | O-ring M10B-13-4 | 1 | 2239 |
| 107 | Adjustment screw c/w nut RR83 | 1 | 6700 |
| 108 | Air baffle | 1 | 12867 |
| 109 | Injector pilot LPG 35 | 1 | 7873 |
| 110 | Injector pilot NG 62 | 1 | 7795 |
| 112 | Injector 1.4 ULPG | 1 | 12507 |
| 113 | Injector 2.5 NG | 1 | 12734 |

Ember 700 gas fireplace

This diagram is provided to assist you to identify parts if replacement is necessary. Contact your place of purchase or the manufacturer to enquire about parts, availability and/or service.



| Ref. | Description | Qty. | Part No. |
|------------------|--------------------------------------|------|----------|
| 1 | Ember 700 3-sided black frame | 1 | R2400 |
| 1 | Ember 700 3-sided titanium frame | 1 | R2402 |
| 2 | Ember 700 4-sided black frame | 1 | R2403 |
| 2 | Ember 700 4-sided titanium frame | 1 | R2405 |
| 3 | Ember 700 masonry frame | 1 | R2406 |
| 4 | Button | 1 | 10250 |
| 5 | Control label | 1 | 12862 |
| 6 | Switch main control | 1 | 12999 |
| 7 | Infill panel Ember 700 | 1 | R2452 |
| 8 | Zero clearance frame Ember | 1 | R2450 |
| Not drawn | | | |
| - | Harness control panel | 1 | 10284 |
| - | Cable CAT5 x 500 mm | 1 | 10631 |
| - | Harness 12-way control panel | 1 | 12492 |
| - | Harness 9-way control panel | 1 | 12496 |
| - | Harness fan | 1 | 12839 |
| - | Harness halogen | 1 | 12998 |
| - | Harness fan | 1 | 13008 |
| - | Harness thermal fuse | 1 | 13011 |
| - | Harness POV universal control | 1 | 13012 |
| - | Harness magnetic valve relay | 1 | 13013 |
| - | Harness main gas control | 1 | 13014 |
| - | Harness ignition | 1 | 13031 |
| - | High tension lead | 1 | 13032 |
| - | Harness thermistor universal control | 1 | 13033 |
| - | Harness receiver | 1 | 12656 |
| - | Power cord universal control black | 1 | 13042 |
| - | Granules | 2 | 2544 |
| - | Crushed glass 100 g | 1 | 12967 |
| - | Rockwool 2 g | 1 | 12968 |