

Before installation check for damage (do not install any damaged items), check all components have been supplied, and read these instructions to get an overview of the steps required before starting.

Suitability

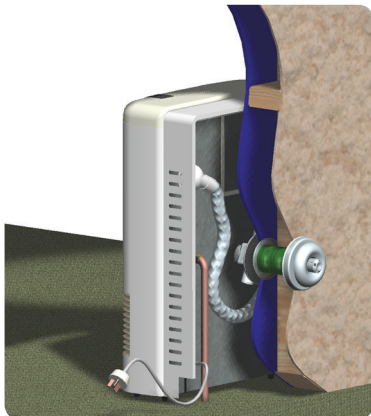
To suit the following Rinnai Energysaver direct mushroom flue kits:

- R1350 Direct AA mushroom flue kit
- R1351 Direct A mushroom flue kit

Wall penetrations

Where the flue is to penetrate ensure there are no wall studs, noggins, wiring, or other obstructions within the wall cavity.

In most instances the flue penetration can be marked using the heater and the mushroom flue. Where the heater is not on site use the penetration arc diagrams on p. 4. Once you have worked out where the flue is to penetrate drill a 80 mm flue hole and then follow the instructions on the following pages.



Direct AA mushroom flue kit

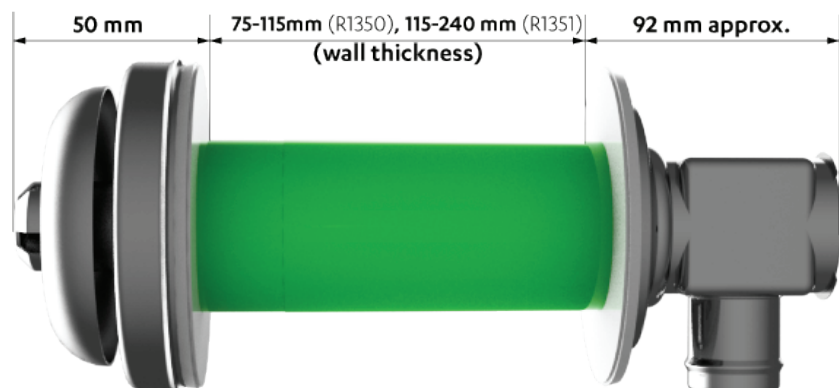
Code = R1350 (stainless steel)

For use in walls 75-115 mm thick (can be cut to size). This is a complete kit with an inbuilt 2° fall to drain condensate, no other components are required.

Direct A mushroom flue kit

Code = R1351 (stainless steel)

For use in walls 115-240 mm thick (can be cut to size). This is a complete kit with an inbuilt 2° fall to drain condensate, no other components are required.

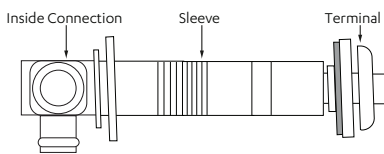


Sleeve and manifold installation

1. Disassemble

The flue consists of three parts; sleeve, inside connections and tube, and outside terminal.

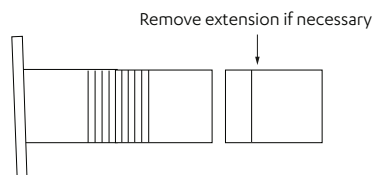
Disassemble by pulling hard on the outside terminal and inner connections, then pull the sleeve off the outer terminal.



2. Adjust sleeve length

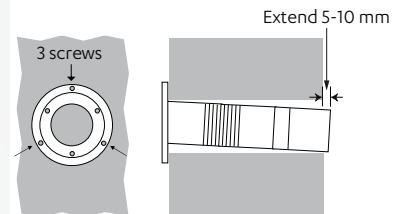
Measure the wall length through the drilled hole. Adjust the sleeve length to the wall thickness, plus 5-10 mm (required sleeve protrusion from wall).

Remove extension if necessary.



3. Fix sleeve

Fix the sleeve to the wall using the three screws provided. The flange is marked 'TOP'. The sleeve must be fitted with this mark up.

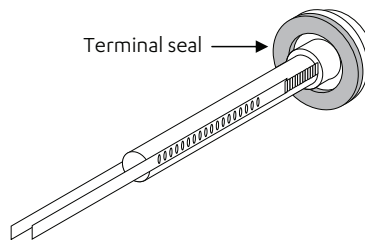


3. Fix sleeve continued



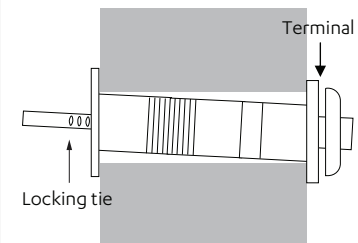
4. Rubber seal

Check the rubber seal is in place on the terminal. For weatherboard walls, add the spare rubber seal provided to compensate for the weatherboard angle.



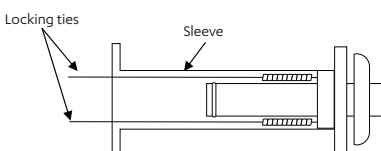
5. Install terminal

From the outside insert the terminal into the sleeve. Make sure 'TOP' is at the top and that the locking tie marked 'LEFT' is on the left.



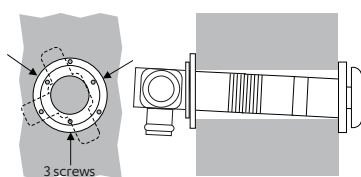
6. Lock the ties

Pull hard on the left and right hand ties, and clip the ties over the lugs inside the sleeve. You should be able to pull the ties two or three slots past the starting point. Cut the ties approx. 20 mm past the lugs and bend so they are parallel to the wall.



7. Insert inner connection

Push the inner connection assembly into the terminal tube. Ensure correct positioning—refer 'TOP' mark. Fix with the three screws provided.



8. Adjust manifold

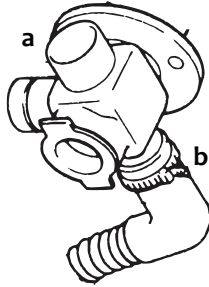
Adjust the manifold as required—it can still be turned after attaching.



Fitting the flue to the Energysaver

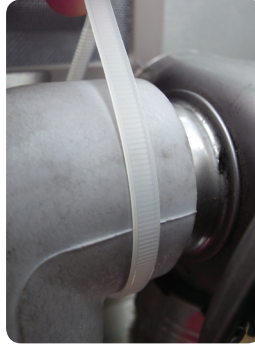
1. Attach the air inlet hose

Attach the combustion air hose to the flue manifold on the a or b position which is marked 'Air Intake'. The unused inlet is plugged with the rubber cap supplied.



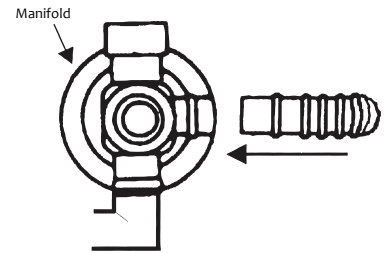
2. Attach the air inlet hose

Secure the combustion air hose to the combustion 'Air Intake' with the cable tie supplied with the heater.



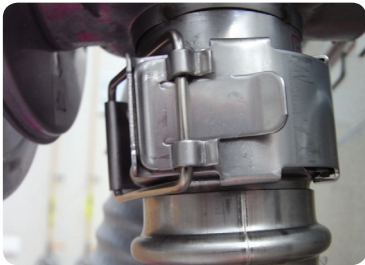
3. Connect flue outlet

The remaining steps can be completed by reaching down the rear of the appliance as it is positioned against the wall. Connect the flue outlet to the manifold until the stainless steel tube is fully inserted¹.



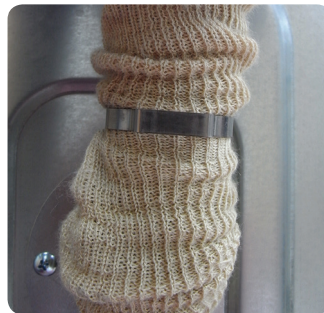
4. Attach the flue lock clamp

Attach the flue lock clamp², provided with the heater. Close the clamp until the tab locks to secure both components together.



5. Fit the insulation sleeve

Secure the protective sock on the exhaust pipe in place using the stainless steel sheath clamp provided with the heater.



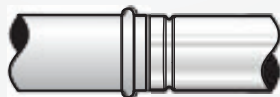
Connecting the heater exhaust and air supply is critical. If the joint is not secured properly products of combustion could disperse into the room being heated.

¹ The 559FT, 561FT, and 1005FT models, use the adjustable telescopic tube of the exhaust pipe to fine tune the position of the heater. DO NOT extend the telescopic tube past the red indicator groove.

Maximum extension



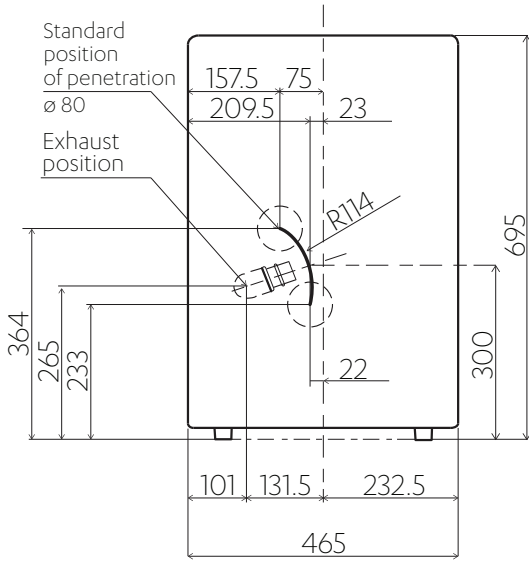
Incorrect tube is over extended



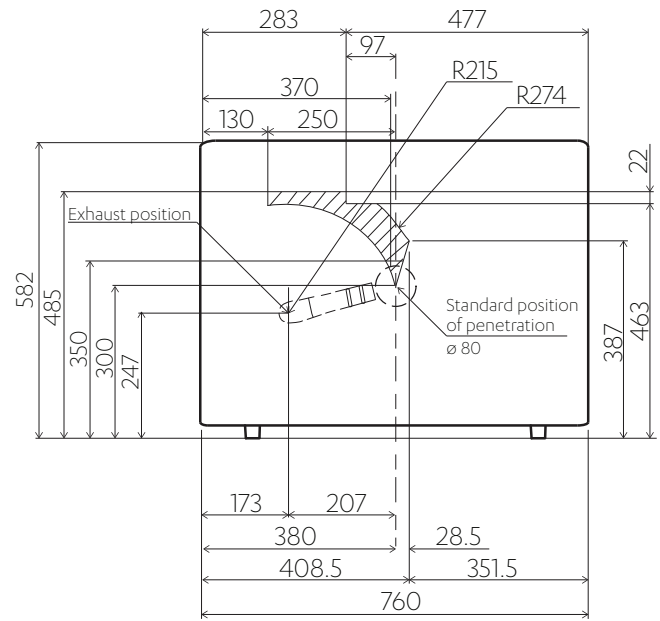
² 1005FT Energysavers come with two flue lock clamps, one large and one small.

Penetration arc diagrams (mm)

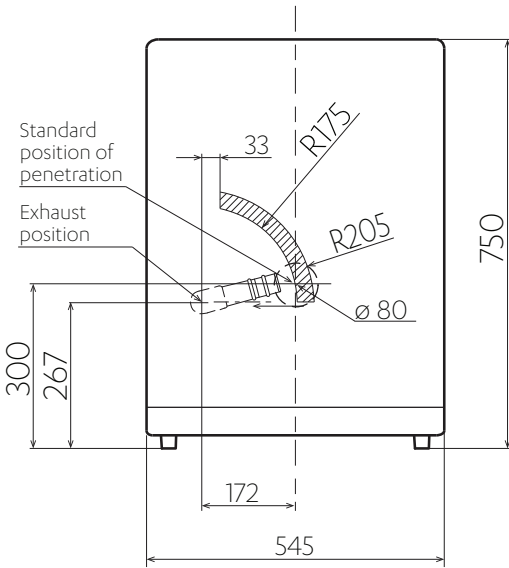
309FT



559FT



561FT



1005FT

