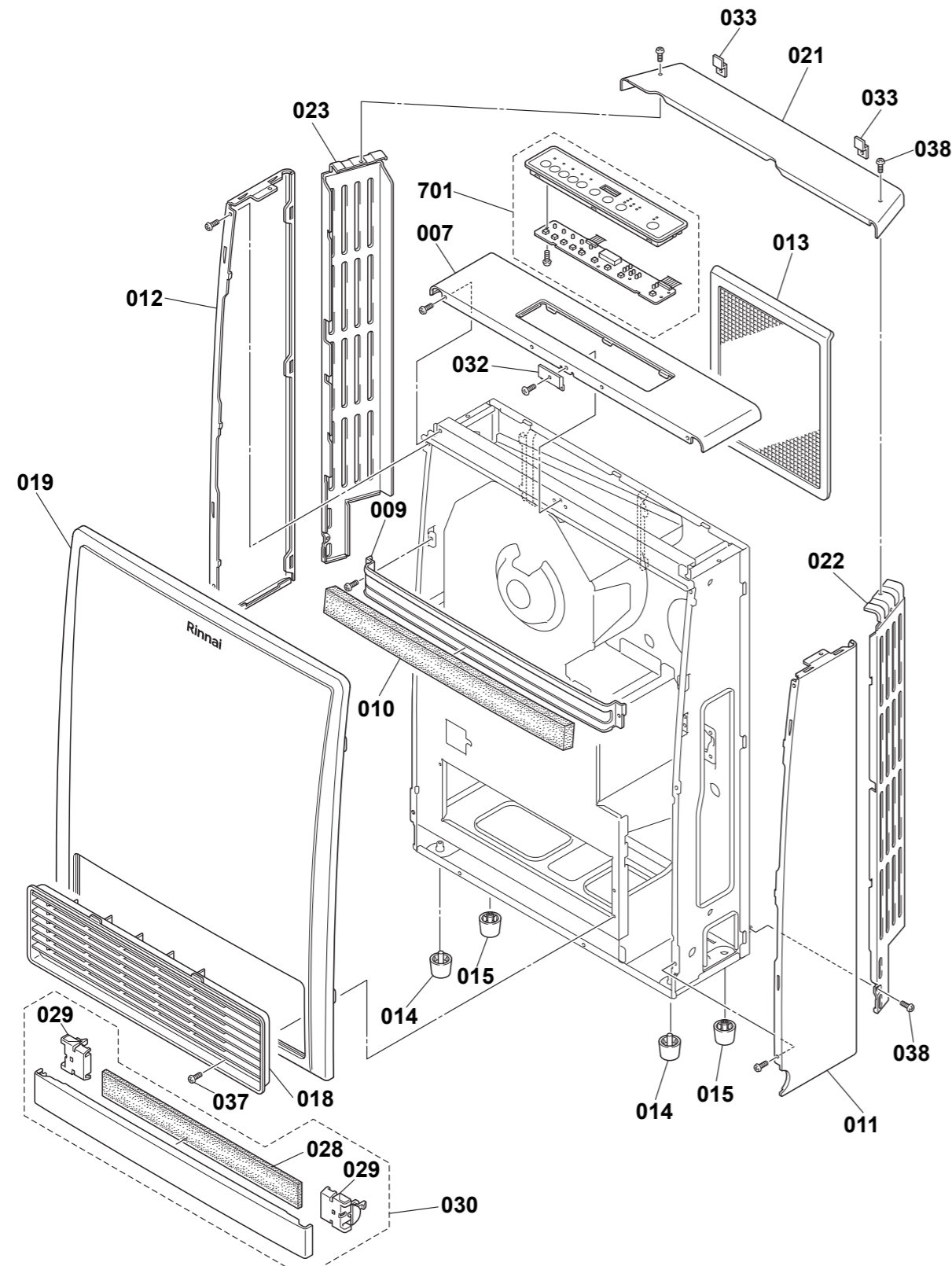
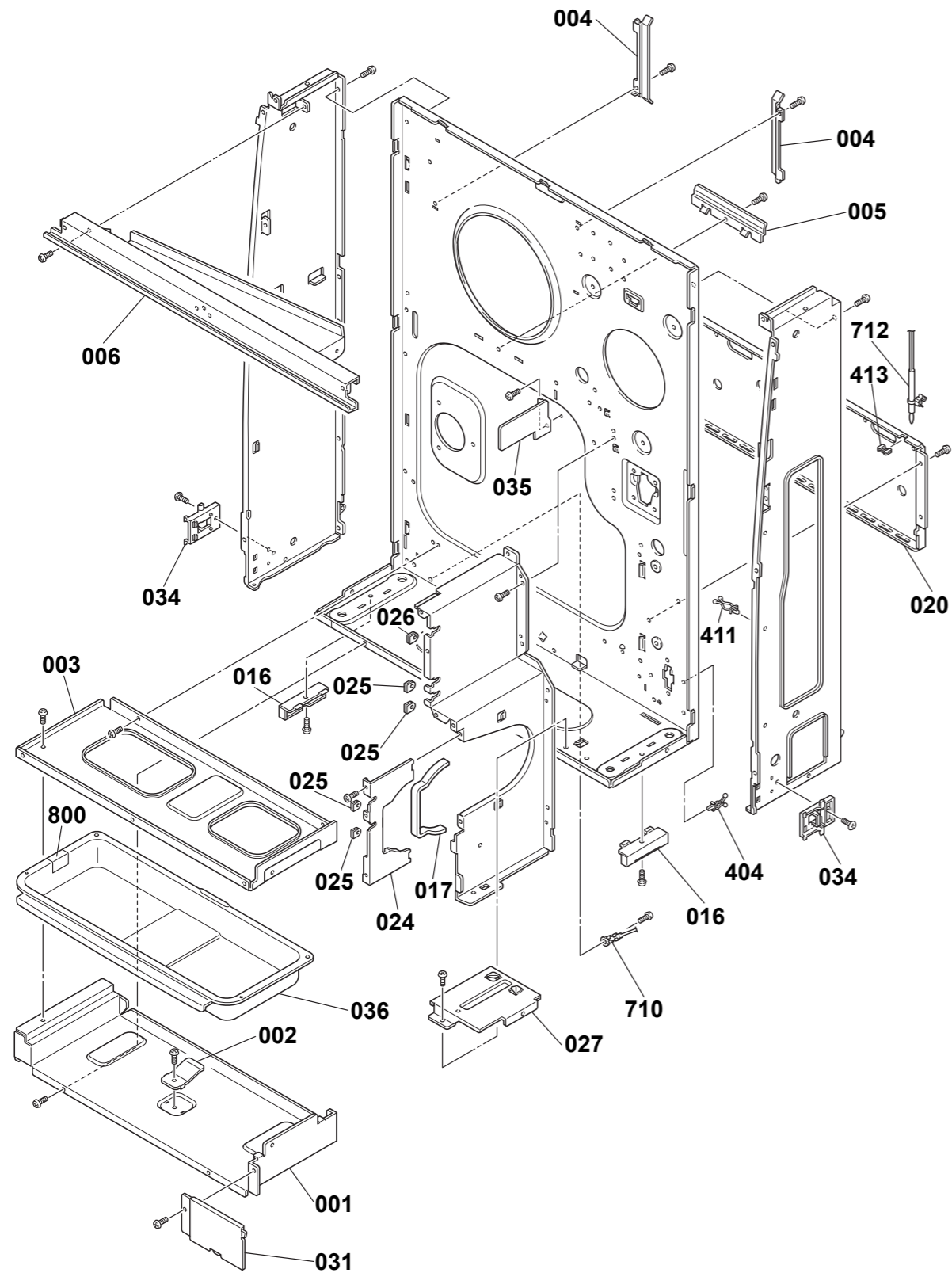


This diagram is provided to assist you to identify parts if replacement is necessary. Contact your place of purchase or the manufacturer to enquire about parts, availability and/or service.



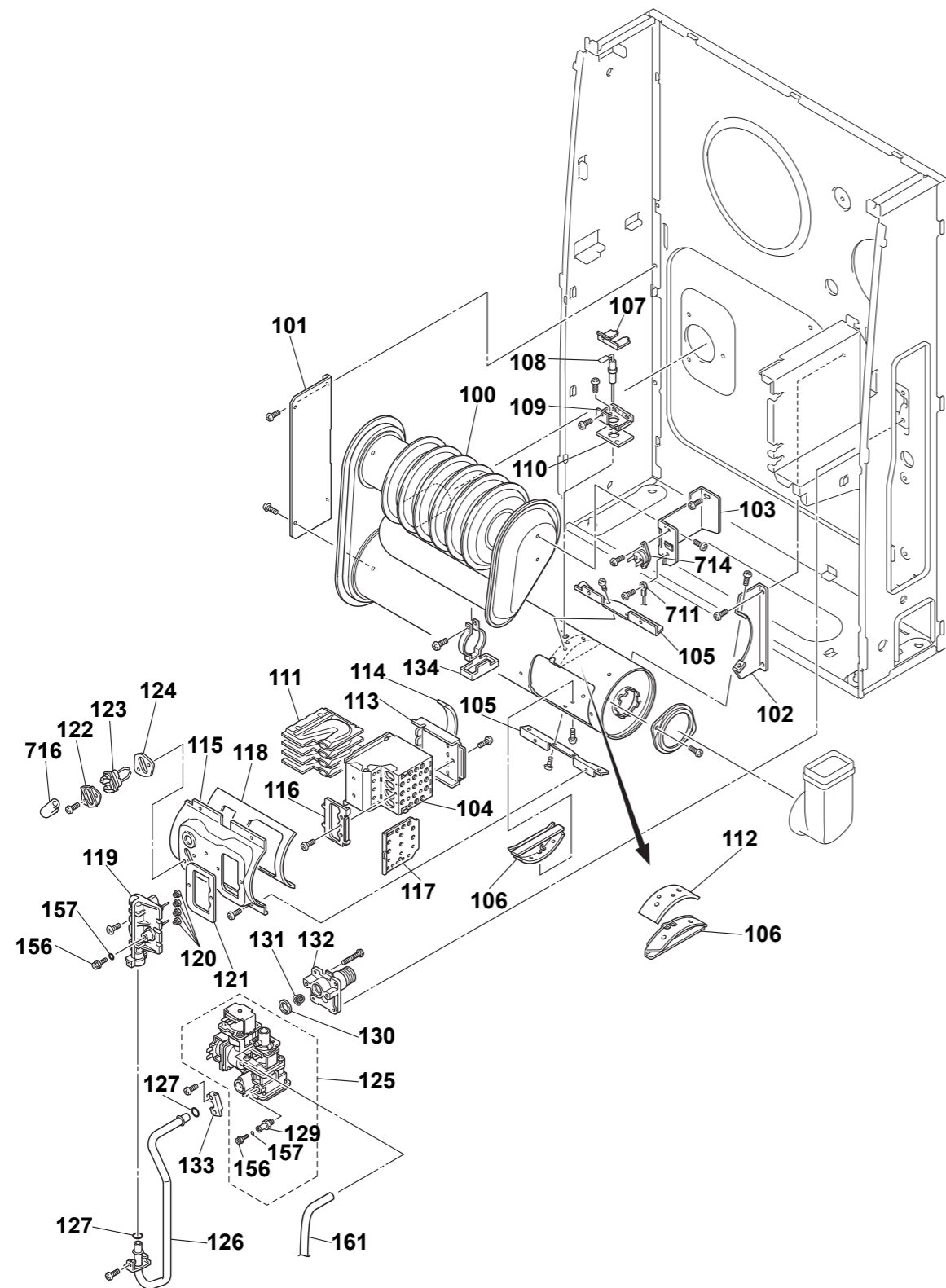
Ref.	Description	Qty	Part No.
007	Top panel	1	5818
009	Front panel reinforcement B	1	5821
010	Front panel packing	1	5822
011	Side panel right hand side	1	5825
012	Side panel left hand side	1	5826
013	Air filter assembly	1	5827
014	Front leg	2	3403
015	Back leg	2	3405
018	Louvre assembly	1	40524
019	Front panel	1	5829
021	Back spacer top panel	1	40526
022	Back spacer right hand side	1	40527
023	Back spacer left hand side	1	40528
028	Heat insulator	1	40529
029	Latch front cover	2	5499
030	Lower front cover assembly	1	5835
032	Front panel bracket	1	5504
033	Securing brackets	2	5837
037	Louvre panel screw	1	40469
038	Screw	1	9146
701	Control panel assembly	1	40488

This diagram is provided to assist you to identify parts if replacement is necessary. Contact your place of purchase or the manufacturer to enquire about parts, availability and/or service.



Ref.	Description	Qty	Part No.
001	Bottom plate support	1	5814
002	Humidifier tray fixing plate	1	5363
003	Humidifier tray top plate	1	40523
004	Filter bracket side	2	40459
005	Filter bracket bottom	1	4002
006	Top panel support	1	5816
016	Floor fixing bracket	2	3541
017	Heat exchanger gasket B	1	4306
020	Rear panel insulating	1	40525
024	Warm air seal panel	1	5432
025	Cord packing B	4	5496
026	Cord packing A	1	5497
027	Transformer bracket	1	5834
031	Wind shield plate	1	5836
034	Latch bracket	2	5505
035	Backboard current plate	1	5838
036	Humidifier tray	1	5859
404	Cable clip	2	5391
411	Cable clip	1	5393
413	Edge saddle	1	5862
710	Thermostat	1	40496
712	Room temperature thermistor	1	40498
800	Water line label	1	5556

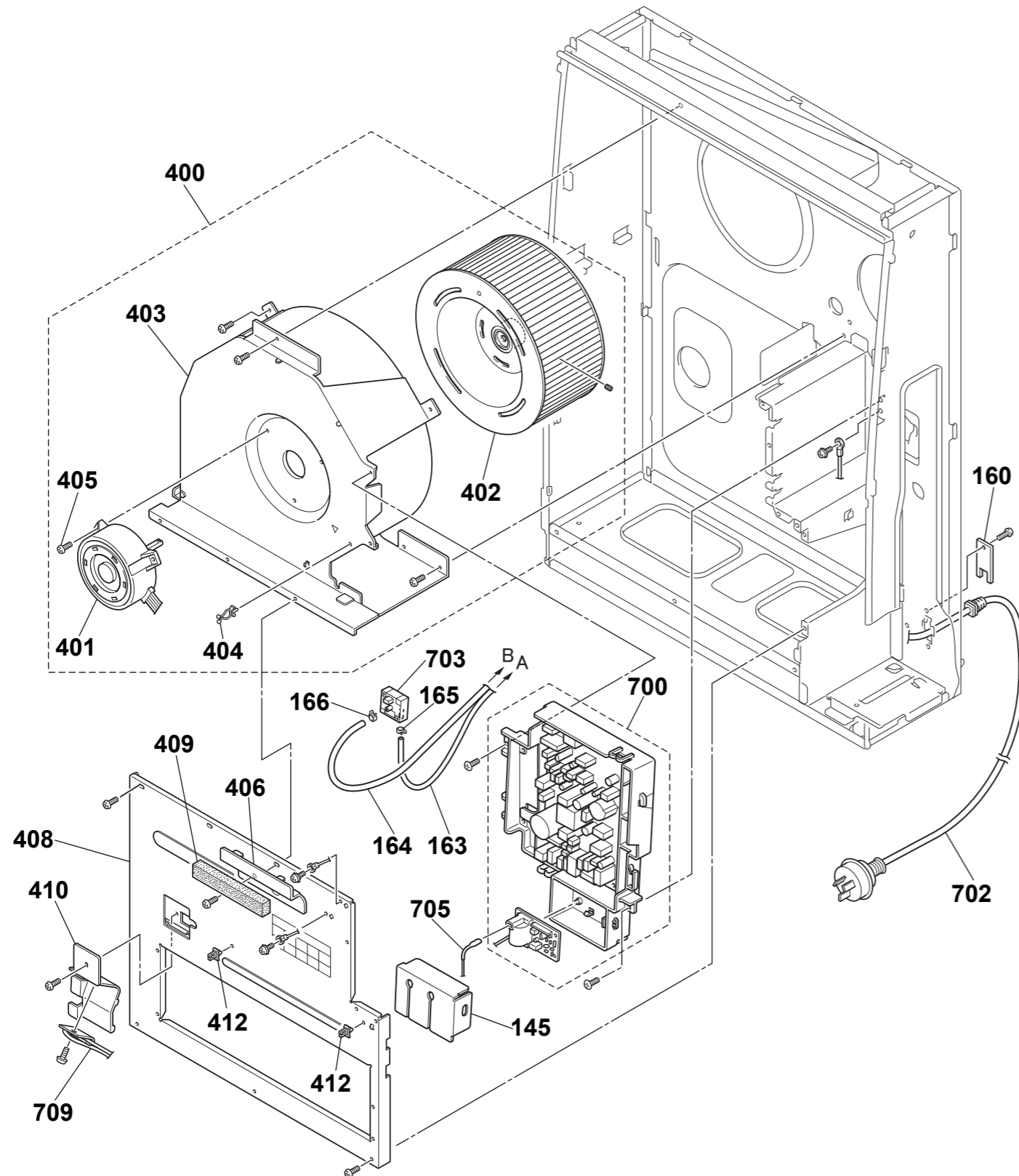
This diagram is provided to assist you to identify parts if replacement is necessary. Contact your place of purchase or the manufacturer to enquire about parts, availability and/or service.



Ref.	Description	Qty.	Part No.
100	Heat exchanger assembly	1	5839
101	Heat exchanger bracket	1	5840
102	Combustion chamber bracket	1	5410
103	OHS fixing plate	1	5398
104	Burner box	1	4370
105	Flange board	2	5414
106	Seal plate B assembly	2	5413
107	Flame rod retainer	1	5409
108	Flame rod	1	4299
109	Flame rod bracket	1	5400
110	Flame rod gasket B	1	4230
111	Burner assembly	1	3091
112	Seal plate packing	1	5412
113	Burner box support assembly	1	5511
114	Burner box gasket	1	4231
115	Combustion chamber cover	1	5841
116	Damper primary air guide	1	5512
117	Secondary air damper LPG	1	4267
117	Secondary air damper NG	1	4238
118	Fitting plate packing	1	5430
119	Manifold	1	5842
120	Injectors LPG	4	5521
120	Injectors NG	4	5420
121	Manifold packing	1	5428
122	Electrode retainer bracket	1	5843
123	Double electrode	1	5844
124	Electrode packing	1	5845
125	Gas control assembly	1	40051
126	Gas tube assembly	1	5486
127	O-ring (P-10)	2	6786
129	Pressure point screw	1	5657
130	Rubber packing	1	1732
131	Gas filter	1	40079
132	Gas inlet	1	4360

Ref.	Description	Qty.	Part No.
133	Connecting tube retainer	1	5348
134	Drain pan assembly	1	5525
156	Test point screw	1	40338
157	O-ring (S4)	2	40224
161	Back pressure tube	1	40532
711	Thermostat	1	40497
714	Overheat switch	1	4385
716	Electrode sleeve	1	7564

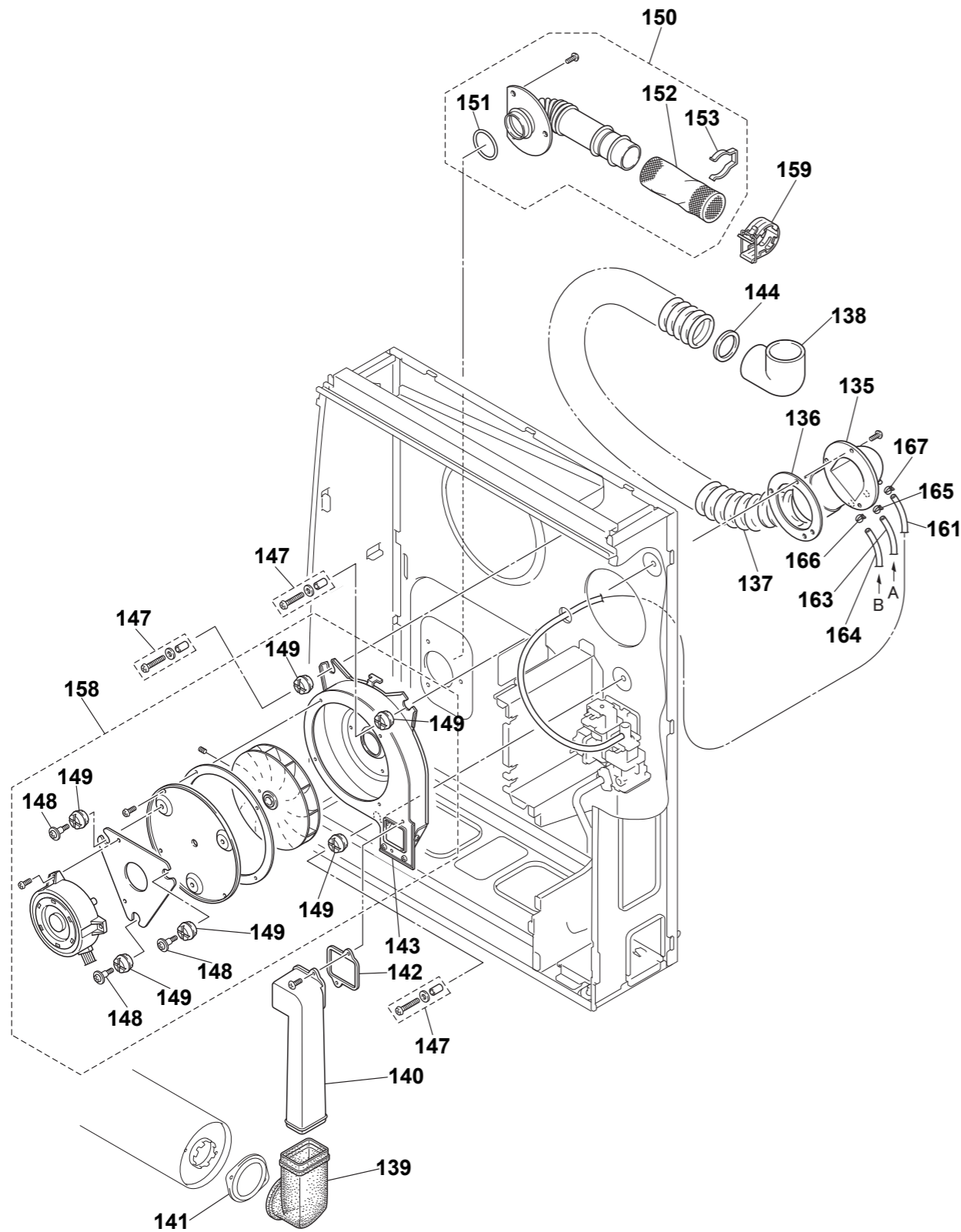
This diagram is provided to assist you to identify parts if replacement is necessary. Contact your place of purchase or the manufacturer to enquire about parts, availability and/or service.



Ref.	Description	Qty.	Part No.
145	Igniter cover	1	40476
160	Power cord retainer	1	5390
163	Sensing tube F	1	40533
164	Sensing tube G	1	40534
165	Hose band N	2	40480
166	Hose band O	2	10465
400	Convection fan assembly	1	40536
401	Convection fan motor	1	40483
402	Convection fan drum	1	4376
403	Convection fan case assembly	1	40537
404	Cable clip (0248)	2	5391
405	Truss FT screw	1	40486
406	Front panel fixer	1	5442
408	Insulation plate assembly	1	5860
409	Front panel packing	1	5443
410	Thermal fuse mounting bracket	1	5861
412	Wire clip	2	5541
700	Main PCB	1	40538
702	Power supply cord	1	40489
703	Pressure sensor	1	40490
705	High tension cord	1	5870
709	Thermal fuse harness	1	40495

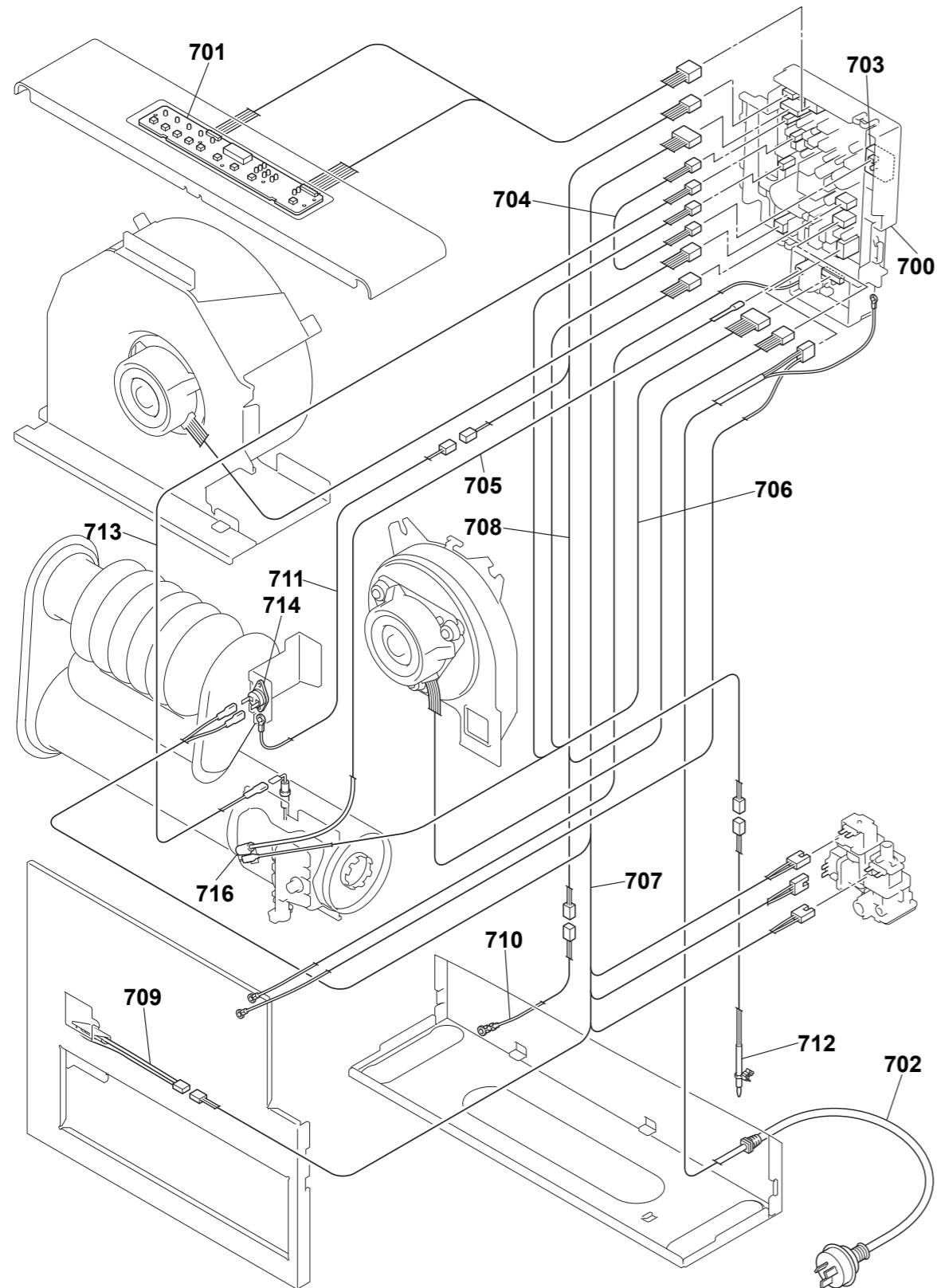


This diagram is provided to assist you to identify parts if replacement is necessary. Contact your place of purchase or the manufacturer to enquire about parts, availability and/or service.



Ref.	Description	Qty.	Part No.
135	Air intake	1	40509
136	Air intake packing	1	4053
137	Air intake flexible hose	1	4237
138	Air intake elbow	1	4319
139	Combustion chamber connection	1	5847
140	Air supply pipe	1	5848
141	Connecting tube fixer	1	5448
142	Air supply pipe packing	1	5849
143	Combustion fan casing	1	40530
144	Air intake baffle ring LPG	1	40512
144	Air intake baffle ring NG	1	40513
147	Combustion fan mounting screw	1	5850
148	Screw for combustion fan	1	10291
149	Mounting rubber cap	6	4364
150	Exhaust pipe (telescopic) assembly	1	5851
151	O-ring 35.5 mm	1	4037
152	Flue outlet cover	1	4176
153	Stainless steel sheath clamp	1	4171
158	Combustion fan assembly	1	40531
159	Flue lock clamp	1	3455
161	Back pressure tube	1	40532
163	Sensing tube F	1	40533
164	Sensing tube G	1	40534
165	Hose band N	2	40480
166	Hose band O	2	10465
167	Hose band J	1	10495

This diagram is provided to assist you to identify parts if replacement is necessary. Contact your place of purchase or the manufacturer to enquire about parts, availability and/or service.



Ref.	Description	Qty.	Part No.
700	Main PCB	1	40538
701	Control panel assembly	1	40488
702	Power supply cord	1	40489
703	Pressure sensor	1	40490
704	Pressure sensor harness	1	40491
705	High tension cord	1	5870
706	Ignition harness assembly	1	40492
707	POVSV harness assembly	1	40539
708	Thermistor relay harness	1	40540
709	Thermal fuse harness	1	40495
710	Thermostat	1	40496
711	Thermostat	1	40497
712	Room temp. thermistor assembly	1	40498
713	Harness	1	40499
714	Overheat switch	1	4385
716	Electrode sleeve	1	7564