

Energysaver back spacer kit installation guide

Before installation check for damage (do not install any damaged items), check all components have been supplied, and read these instructions to get an overview of the steps required before starting.

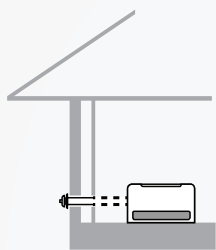
Suitable for:

- **ESBSKE:** Back spacer kit 309FT
- **ESBSKF:** Back spacer kit 559FT
- **ESBSKG:** Back spacer kit 561FT
- **ESBSKH:** Back spacer kit 1005FT

The back spacer kit covers and protects the flue elbow connection and provides the required clearances for down-and-out, and sideways front-of-wall flueing installations.



Down-and-out



Sideways front-of-wall

Back spacer kit contents

- Left spacer panel
- Right spacer panel
- Top spacer panel
- Flue elbow connection
- Plastic edging seal (not shown)
- Extended side panel brackets (1005FT only)



1005FT only

The plastic edging seal is used to provide a protective edge around the flue pipe cutout in the side spacer panel—sideways front-of-wall flue installations only).

Back spacer kit assembly

The back spacer kits are used **instead** of the rear panels supplied with each Energysaver. The screws and wall brackets provided with the heater are required for assembly—do not discard these items.



The rear panels/back spacer kit are not optional components. They must be fitted to ensure the correct and safe operation of the appliance. Failure to fit the panels will void any warranty.

The back spacer kit adds approximately 115 mm of additional depth.

- Standard rear panel depth 85 mm
- Back spacer panel depth 200 mm



309FT Energysaver model with standard rear panels



561FT Energysaver with back spacer kit

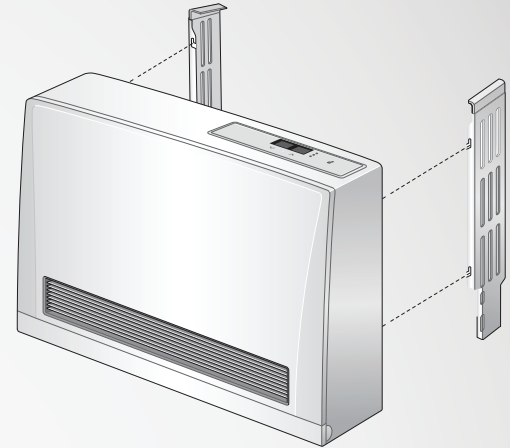


1005FT Energysaver with back spacer kit

Energysaver back spacer kit installation guide

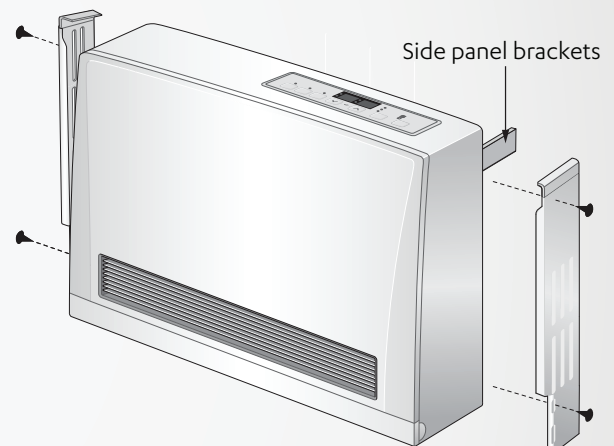
Back spacer kit assembly

1. If you have the 1005FT model remove the existing side panel brackets and replace with the extended side panel brackets supplied with the back spacer kit. Make sure the lip faces outwards—refer image below.

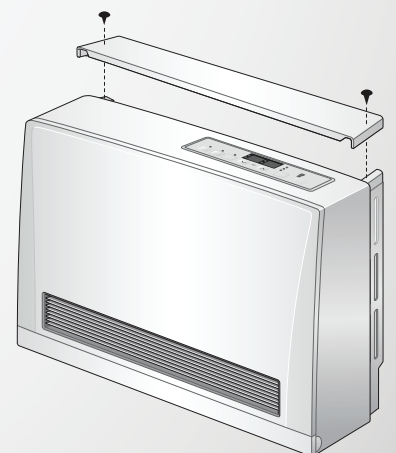


Fitting the left and rear side panels

2. Remove the filter(s).
3. Fit the left and right side panels to the rear of the appliance and fasten into position using the two 6 g x 8 mm self tapping screws provided. The 309FT, 559FT, and 561FT panels will slot onto the appliance location tabs. The 1005FT panels will screw into the side panel and appliance brackets.
4. Fit the top cover panel ensuring the rear fold locates neatly between the two securing brackets and the wall. Secure in place with the head screws supplied (two screws for the 309FT, 559FT, and 561FT, and three screws for the 1005FT).
5. Insert the filters(s).



1005FT model - position of side panel brackets



Fitting the top cover panel