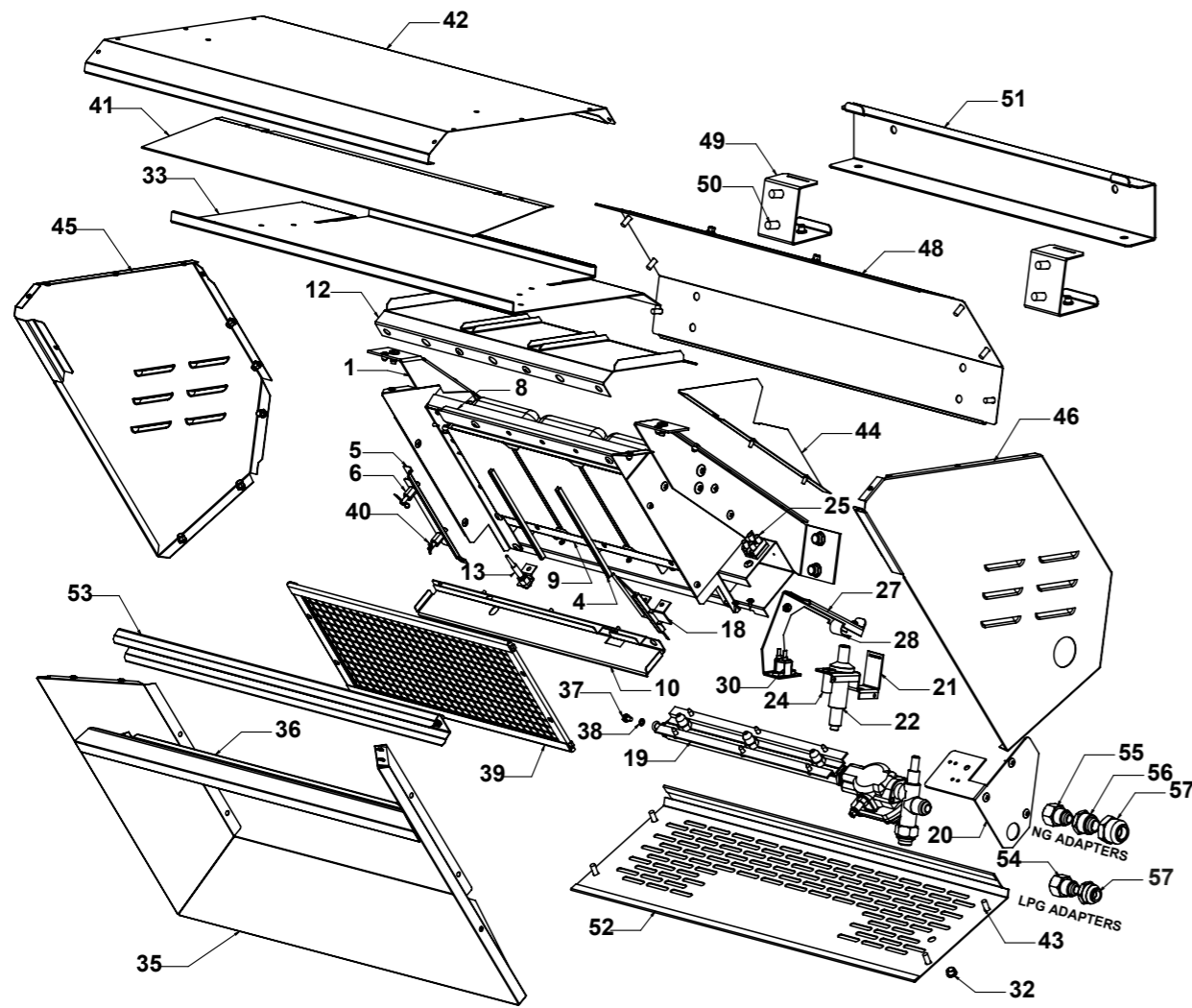


Outdoor manual Super Ray heater (ODHRAD3M)

This diagram is provided to assist you to identify parts if replacement is necessary. Contact your place of purchase or the manufacturer to enquire about parts, availability and/or service.

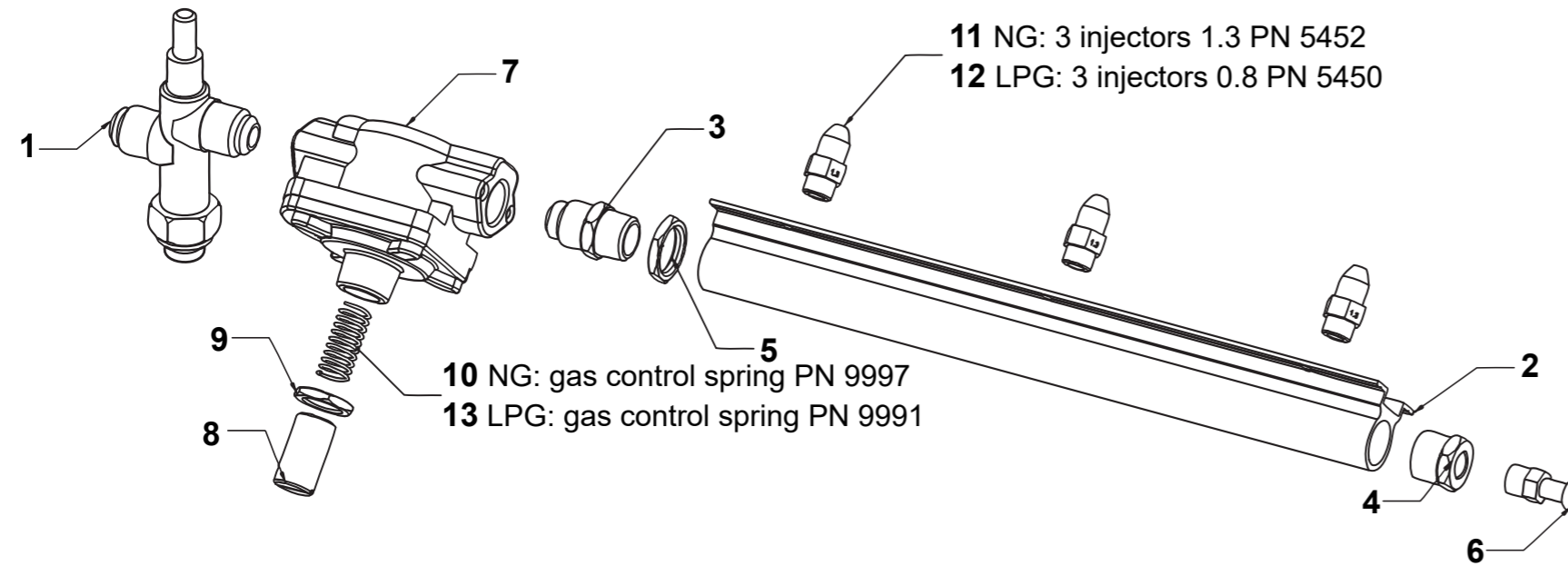


Ref.	Description	Qty.	Part No.
1	Burner assembly painted	-	-
-	Burner assembly (includes: burner body, ceramic plaque, and ceramic wool)	3	1514
4	Panel burner partition	2	6018
5	Plaque retainer side w-series	2	6019
6	Econ screen pin	4	6034
8	Plaque retainer top w-series	1	10095
9	Plaque retainer bottom	1	6045
10	Cross lighting bracket	1	10070
12	Heat diverter assembly	1	10038
13	Thermocouple 650 mm	1	5049
18	Electrode c/w bracket w-series	1	5054
19	Gas control—see page 2	-	-
20	Bracket control w-series	1	7939
21	Bracket piezo	1	7940
22	Piezo igniter SIT	1	7765
-	Electrode/HT lead	1	7766
24	Bush x-lube shouldered S201M	1	9280
25	Terminal block	1	5034
27	Actuator	1	10075
28	Spring Piezo w-series manual	1	7859
30	Tip over switch assembly	1	6131
32	Insulating bush	2	9010
33	Heat deflector	1	10066
35	Reflector assembly (manufactured AFTER 30/04/2009)	1	10094
35	Reflector assembly (manufactured BEFORE 30/04/2009)	1	10000
36	Reflector top	1	10094-1
37	Pressure test point screw	1	9994
38	Pressure test point packing	1	9995
39	Economiser screen assy	1	1513
40	Split pin ZP 1/6 * 1/2	4	9360

Ref.	Description	Qty.	Part No.
41	Heat shield	1	10017
42	Surround top	1	10114
43	Screw button socket	14	9006
44	Shield tilt switch	1	10019
45	Surround LH side assembly (manufactured AFTER 30/04/09)	1	10089
45	Surround LH side assembly (manufactured BEFORE 30/04/09)	1	10004
46	Surround RH side assembly (manufactured AFTER 30/04/09)	1	11365
46	Surround RH side assembly (manufactured BEFORE 30/04/09)	1	10005
47	Screw M4x8	12	9061
48	Surround back assembly	1	10060
49	Heater bracket	2	10015
50	Screw button socket	4	9007
51	Wall bracket	1	10016
52	Surround bottom	1	10062
53	Louvre painted	1	10036F
54	Union body 3/8 C x 3/8 FI	1	5065
55	Gas inlet adaptor	1	7983
56	Union body 1/2 C x 3/8 FI	1	5066
57	Nut 1/2 compression	1	5064
58	Nut 3/8 compression w-series	1	5030
-	Sparker replacement kit	1	11363
-	Louvre bracket (manufactured BEFORE 30/04/09)	1	10007

This diagram is provided to assist you to identify parts if replacement is necessary. Contact your place of purchase or the manufacturer to enquire about parts, availability and/or service.

Gas control (exploded view)



Ref.	Description	Qty.	Part No.
1	Flame failure (SIT 0400097)	1	7942
2	Manifold	1	5178
3	Union body	1	5061
4	Test point plug	1	6033
5	Locknut brass 3/8	1	5070
6	Pressure test point	1	9992
7	Regulator 3/8 w-series	1	5042
8/9	Gas cock screw long & locknut	1	9990
-	Gas cock spring diaphragm	1	9997
-	Gas cock spring	1	9991
-	Pull cord set	1	1809