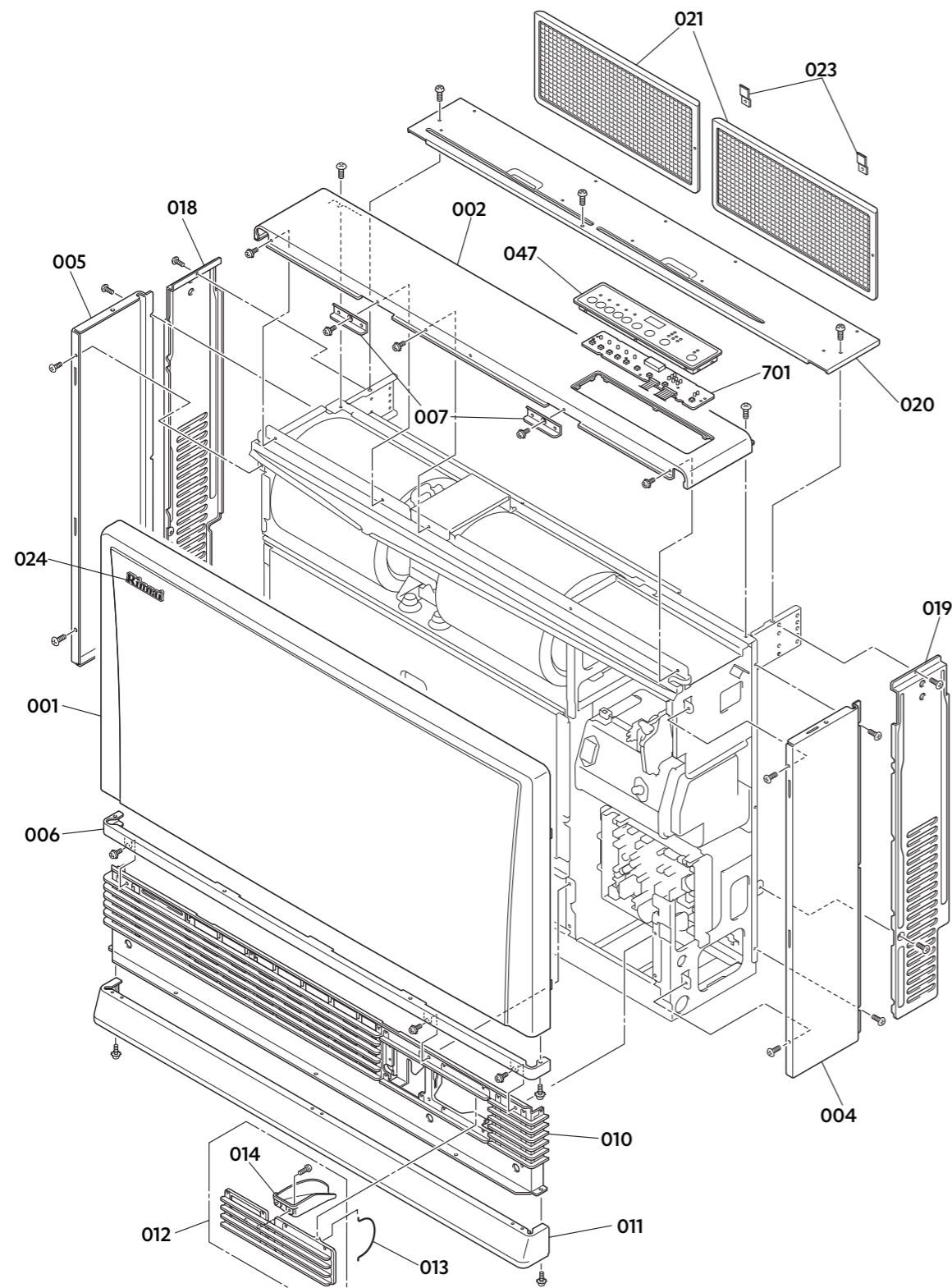


Energysaver 1005FT flued heater

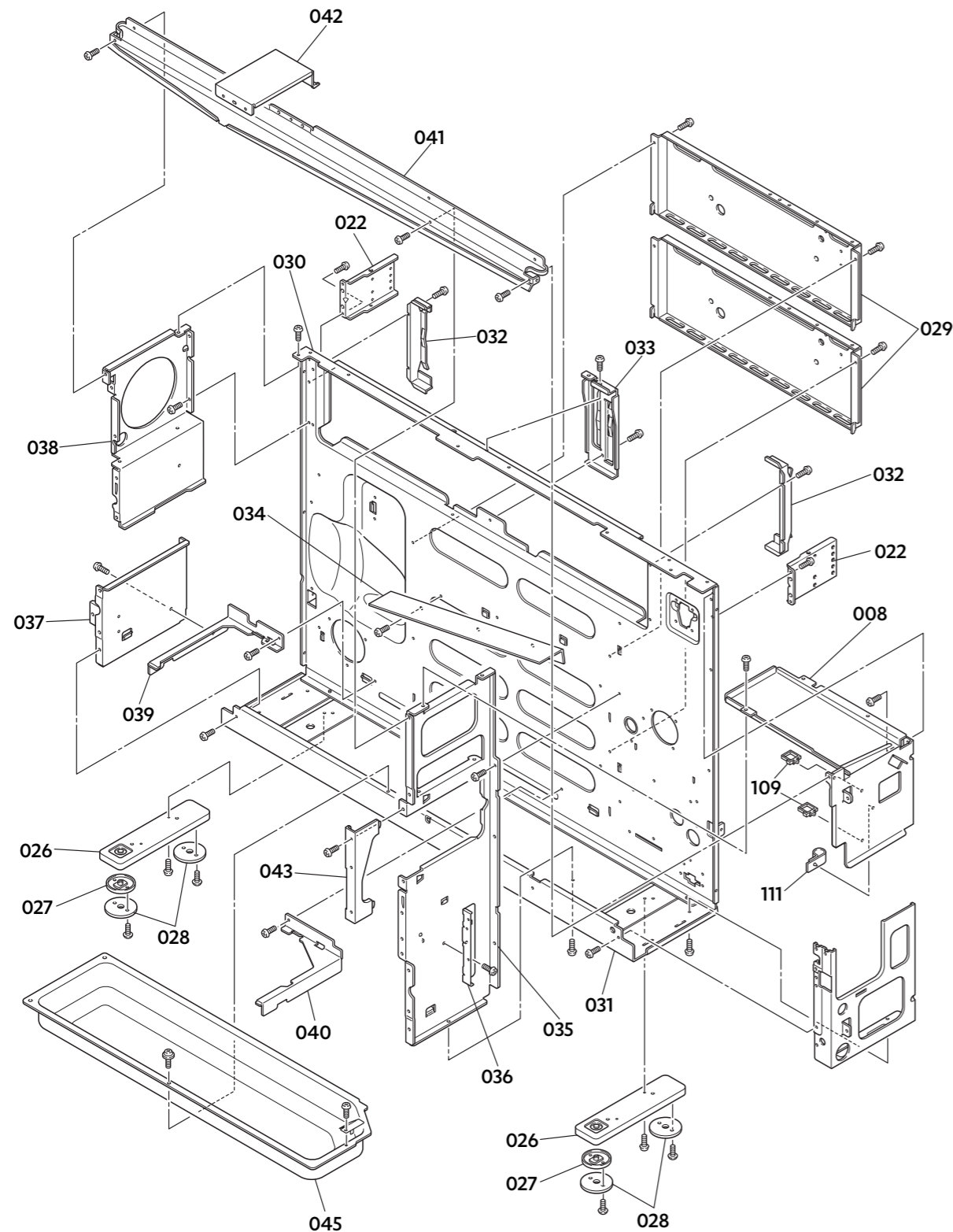
This diagram is provided to assist you to identify parts if replacement is necessary. Contact your place of purchase or the manufacturer to enquire about parts, availability and/or service.



Ref.	Description	Qty.	Part No.	
SI = stocked item				
001	Front panel assy. 1005	1	40001	SI
002	Top panel 1005	1	40002	SI
004	Side panel - right 1005	1	40004	SI
005	Side panel - left 1005	1	40005	SI
006	Front panel trim assy. 1005	1	40006	SI
007	Support brackets	2	40007	-
010	Air discharge louvre assy. 1005	1	40009	SI
011	Air discharge lower trim 1005	1	40010	SI
012	Humidifier door assembly	1	40011	SI
013	Louvre door hinge	1	4283	-
014	Humidifier spout 1005	1	40012	-
018	Panel back spacer LH 1005	1	40013	SI
019	Panel back spacer RH 1005	1	40014	SI
020	Panel back spacer top 1005	1	40015	SI
021	Air filter assembly 1005	2	40016	-
023	Wall fixing bracket	2	5837	SI
024	Rinnai logo	1	5396	-
047	Control panel cover assy. 1005	1	40031	SI
701	Control panel assy 1005	1	40066	SI

Energysaver 1005FT flued heater

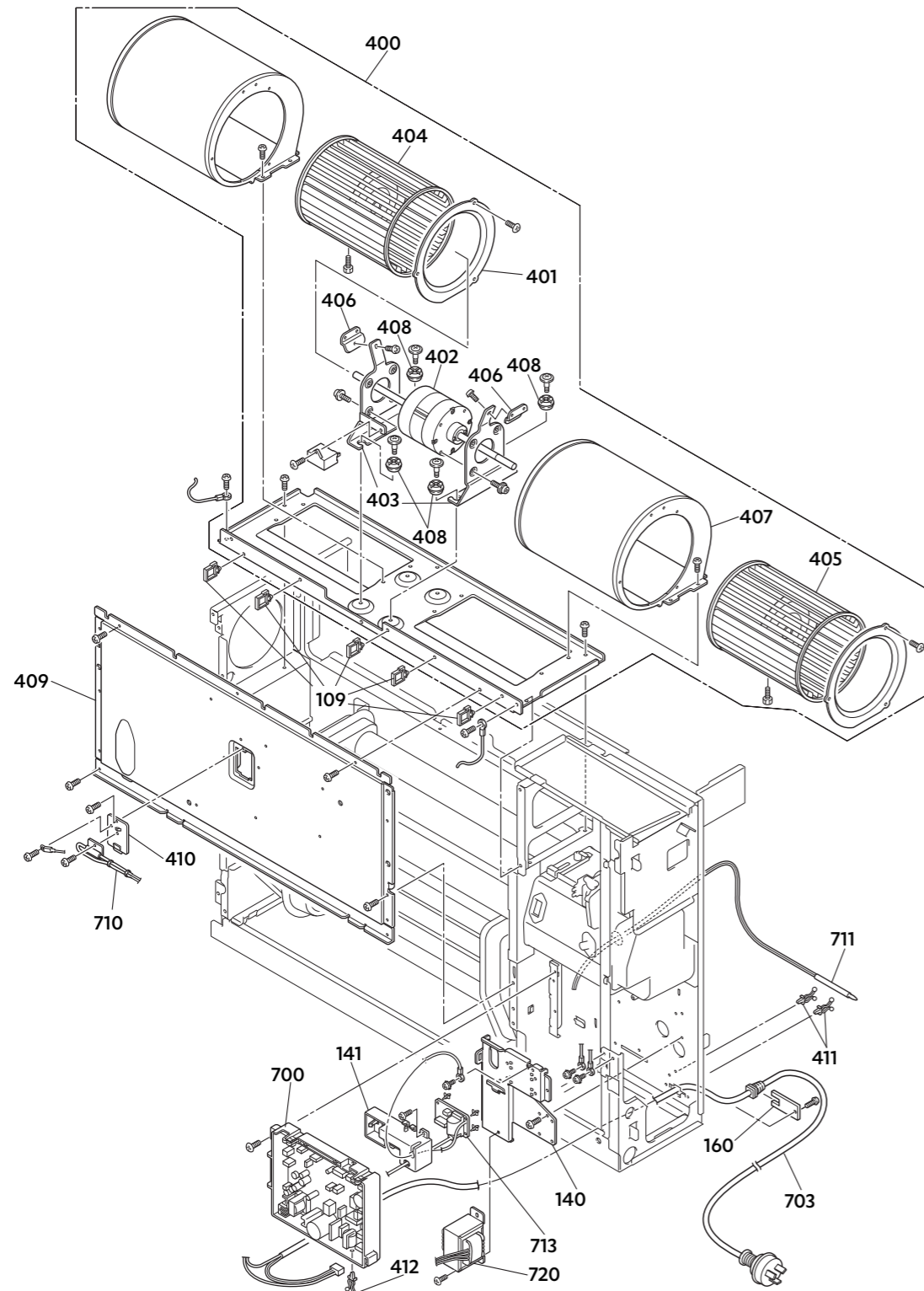
This diagram is provided to assist you to identify parts if replacement is necessary. Contact your place of purchase or the manufacturer to enquire about parts, availability and/or service.



Ref.	Description	Qty.	Part No.	
SI = stocked item				
008	Control frame upper 1005	1	40008	-
022	Back cover fixing plate	2	4112	SI
026	Leg	2	4251	SI
027	Rubber foot mounting plate	2	1610	SI
028	Rubber foot	4	4024	SI
029	Rear heat shield	2	5492	SI
030	Rear panel 1005	1	40017	SI
031	Base panel 1005	1	40018	SI
032	Air filter bracket side 1005	2	40019	SI
033	Air filter bracket center 1005	1	40020	SI
034	Bracket stiffener 1005	1	40021	-
035	Inner frame RH 1005	1	40022	-
036	Bracket PCB mounting 1005	1	40023	-
037	Inner frame lower LH 1005	1	40024	-
038	Inner frame upper LH 1005	1	40025	-
039	Humidifier tray support LH 1005	1	40026	-
040	Humidifier tray support RH 1005	1	40027	-
041	Top panel support A 1005	1	40028	-
042	Top panel support B 1005	1	40029	-
043	Bracket comb chamber fixing 1005	1	40030	-
045	Humidifier tray 1001 1004	1	4038	SI
109	Edge protector 1005	9	40078	-

Energysaver 1005FT flued heater

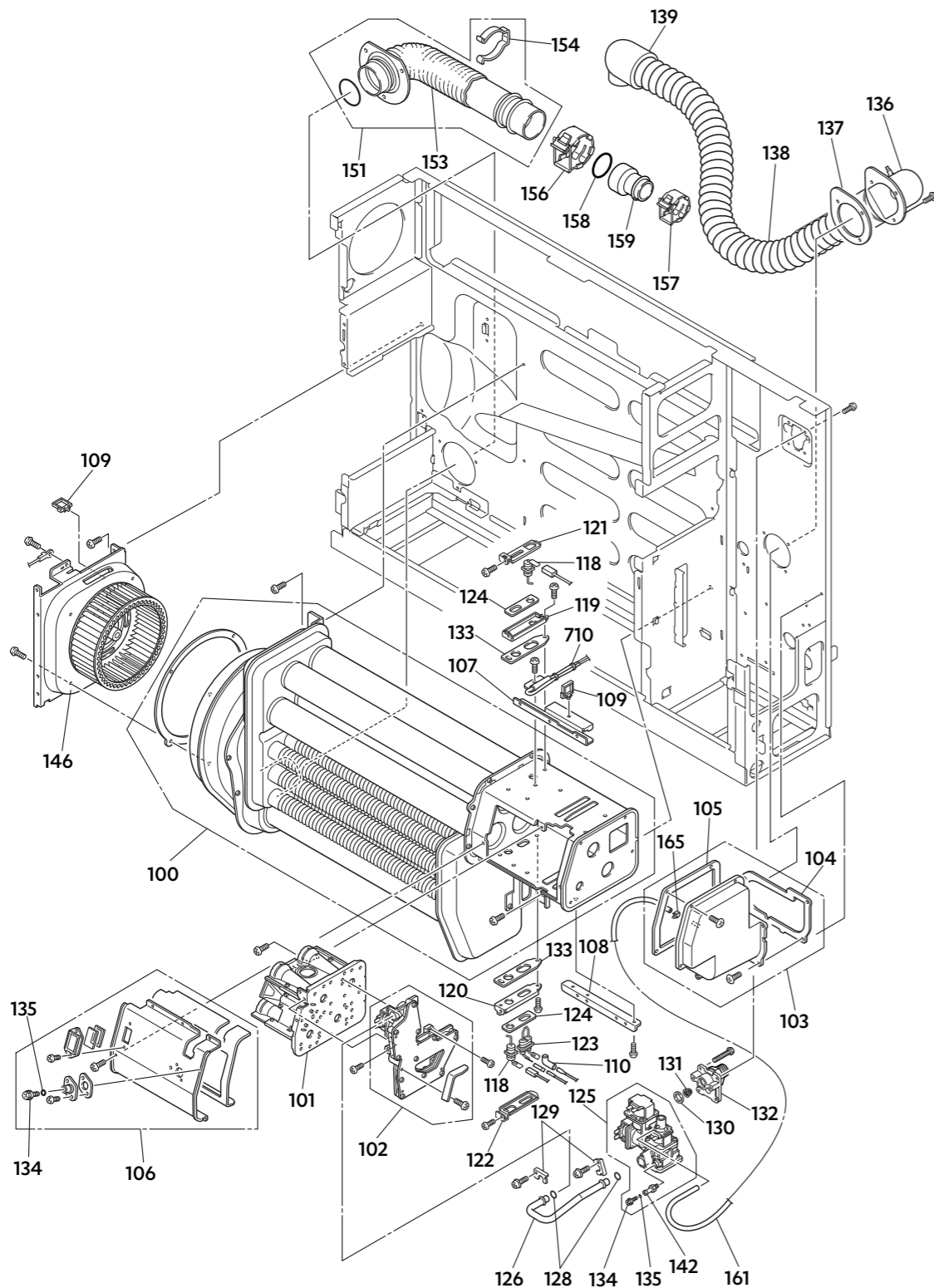
This diagram is provided to assist you to identify parts if replacement is necessary. Contact your place of purchase or the manufacturer to enquire about parts, availability and/or service.



Ref.	Description	Qty.	Part No.	
SI = stocked item				
109	Edge protector 1005	9	40078	-
140	Bracket sparker mounting 1005	1	40055	-
141	Sparker cover	1	40056	-
400	Convection fan assembly 1005	1	40059	SI
402	Convection fan motor 1005	1	40060	-
403	Convection fan motor bracket A 1005	2	40061	-
404	Convection fan drum - left	1	4831	-
405	Convection fan drum - right	1	4832	-
406	Convection fan motor bracket B 1005	2	40062	-
408	Mounting rubber fan Energysaver	4	4364	-
409	Inner panel heat shield 1005	1	40063	SI
410	OHS fixing plate 1005	1	40064	-
411	Cable clip 309/559/561	2	5391	-
412	Cable clip 309	1	5393	-
700	PCB 1005	1	40065	SI
703	Power cord assembly 1005	1	40067	SI
710	Thermal fuse harness	2	13011	SI
711	Room thermistor assembly 1005	1	40072	SI
713	Sparker (also known as an igniter)	1	5466	SI
720	Power transformer 1005	1	40077	SI

Energysaver 1005FT flued heater

This diagram is provided to assist you to identify parts if replacement is necessary. Contact your place of purchase or the manufacturer to enquire about parts, availability and/or service.

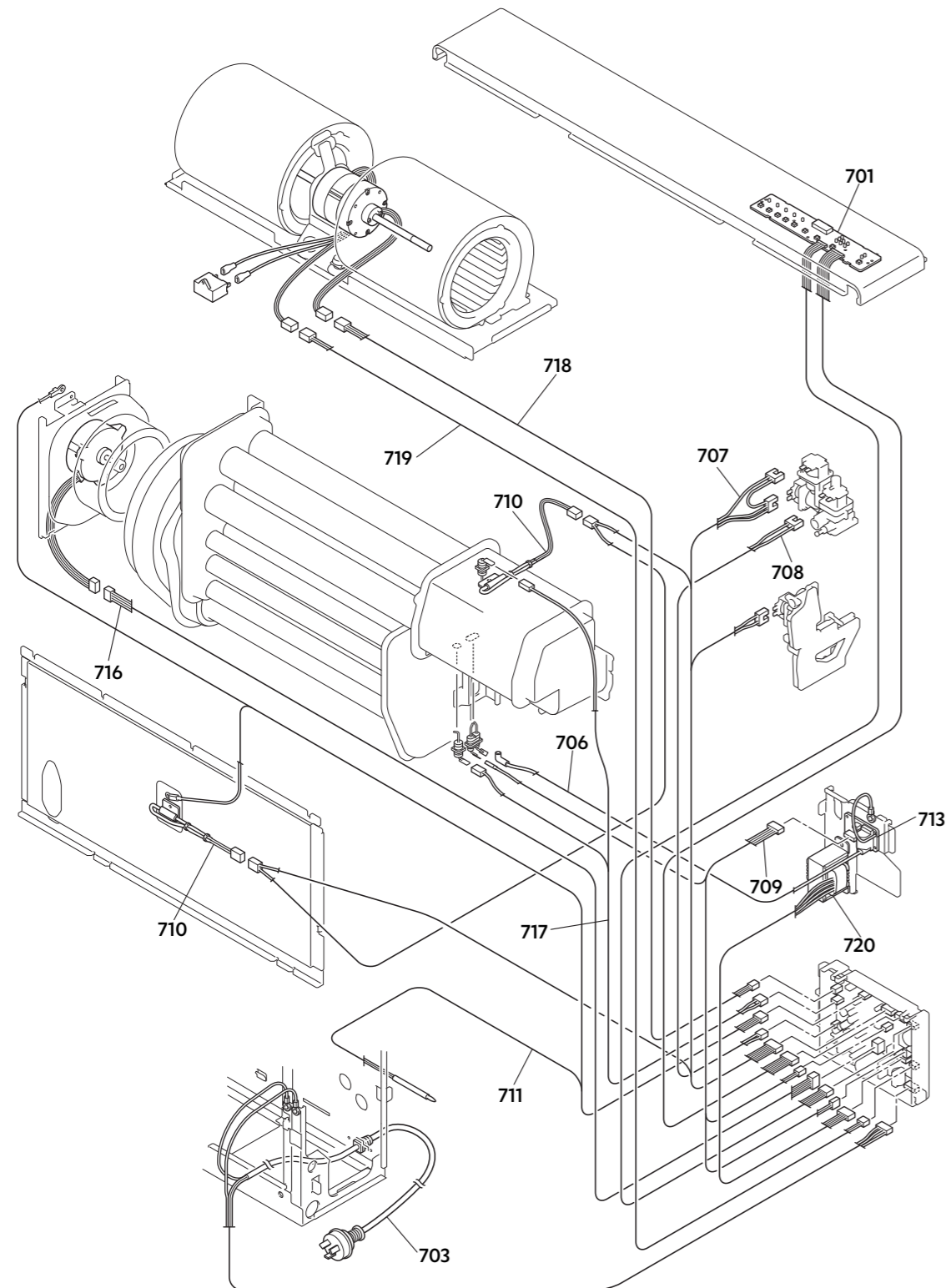


Ref.	Description	Qty.	Part No.	
SI = stocked item				
100	Heat exchanger burner assy. 1005	1	40033	SI
101	Burner assy. LPG 1005	1	40034	SI
101	Burner assy. NG 1005	1	40035	SI
102	Manifold assy. LPG 1005	1	40036	SI
102	Manifold assy. NG 1005	1	40037	SI
103	Comb. chamber air inlet assy 1005	1	40038	SI
104	Comb. chamber inlet packing A 1005	1	40039	-
105	Comb. chamber inlet packing B 1005	1	40040	-
106	Burner cover assy. 1005	1	40041	SI
107	Burner cover bracket top A 1005	1	40042	-
108	Burner cover bracket lower B 1005	1	40043	-
109	Edge protector 1005	9	40078	-
110	Electrode sleeve	1	7564	SI
118	Flame rod 1005	2	40045	SI
119	Electrode bracket top 1005	1	40046	-
120	Electrode bracket bottom 1005	1	40047	-
121	Electrode retainer top	1	40048	SI
122	Electrode retainer bottom	1	40049	SI
123	Double electrode	1	5844	SI
124	Electrode packing A 1005	2	40050	SI
125	Gas control assy.	1	40051	SI
126	Gas tube aluminium 1005	1	40052	-
128	O-ring (P-10)	2	2389	-
129	Gas tube retainer	2	5438	-
130	Rubber sealing washer for gas conn.	1	10290	-
131	Gas filter 1005	1	40079	-
132	Gas inlet Energysaver	1	4360	-
133	Electrode packing B 1005	2	40053	-
134	Test point screw	2	3564	SI
135	O-ring (S4)	2	2239	-
136	Air inlet assembly 1005	1	40054	SI
137	Air inlet tube seal	1	4827	-

Ref.	Description	Qty.	Part No.	
SI = stocked item				
138	Air inlet hose 1005	1	40080	SI
139	Air inlet elbow	1	4319	SI
142	Pressure point screw	1	5657	-
146	Comb. fan assy. 1005	1	40057	SI
151	Exhaust elbow assy. 1005	1	40058	SI
153	Flue sock	1	4825	SI
154	Flue sock SS sheath clamp	1	4318	SI
156	Flue lock clamp lge. 50 mm	1	4823	SI
157	Flue lock clamp small 30 mm	1	4824	SI
158	O-ring	1	4850	-
159	Flue reducing adaptor	1	4821	-
161	Back pressure tube D 1005	1	40081	SI
165	Hose clip 8 mm	1	10495	-
710	Thermal fuse harness	2	5472	SI

Energysaver 1005FT flued heater

This diagram is provided to assist you to identify parts if replacement is necessary. Contact your place of purchase or the manufacturer to enquire about parts, availability and/or service.



Ref.	Description	Qty.	Part No.
SI = stocked item			
701	Control panel assy. 1005	1	40066 -
703	Power cord assembly 1005	1	40067 SI
706	High tension cord assy. 1005	1	40068 SI
707	Solenoid valve harness 1005	1	40069 SI
708	POV harness 1005	1	40070 SI
709	Sparker harness assy. 1005	1	40071 SI
710	Thermal fuse harness	2	5472 SI
711	Room thermistor assy. 1005	1	40072 SI
713	Sparker (also known as an igniter)	1	13006 SI
716	Comb. fan harness 1005	1	40073 SI
717	Flame rod harness 1005	1	40074 SI
718	Convection fan sensor harness 1005	1	40075 SI
719	Convection fan harness 1005	1	40076 SI
720	Power transformer	1	40077 SI