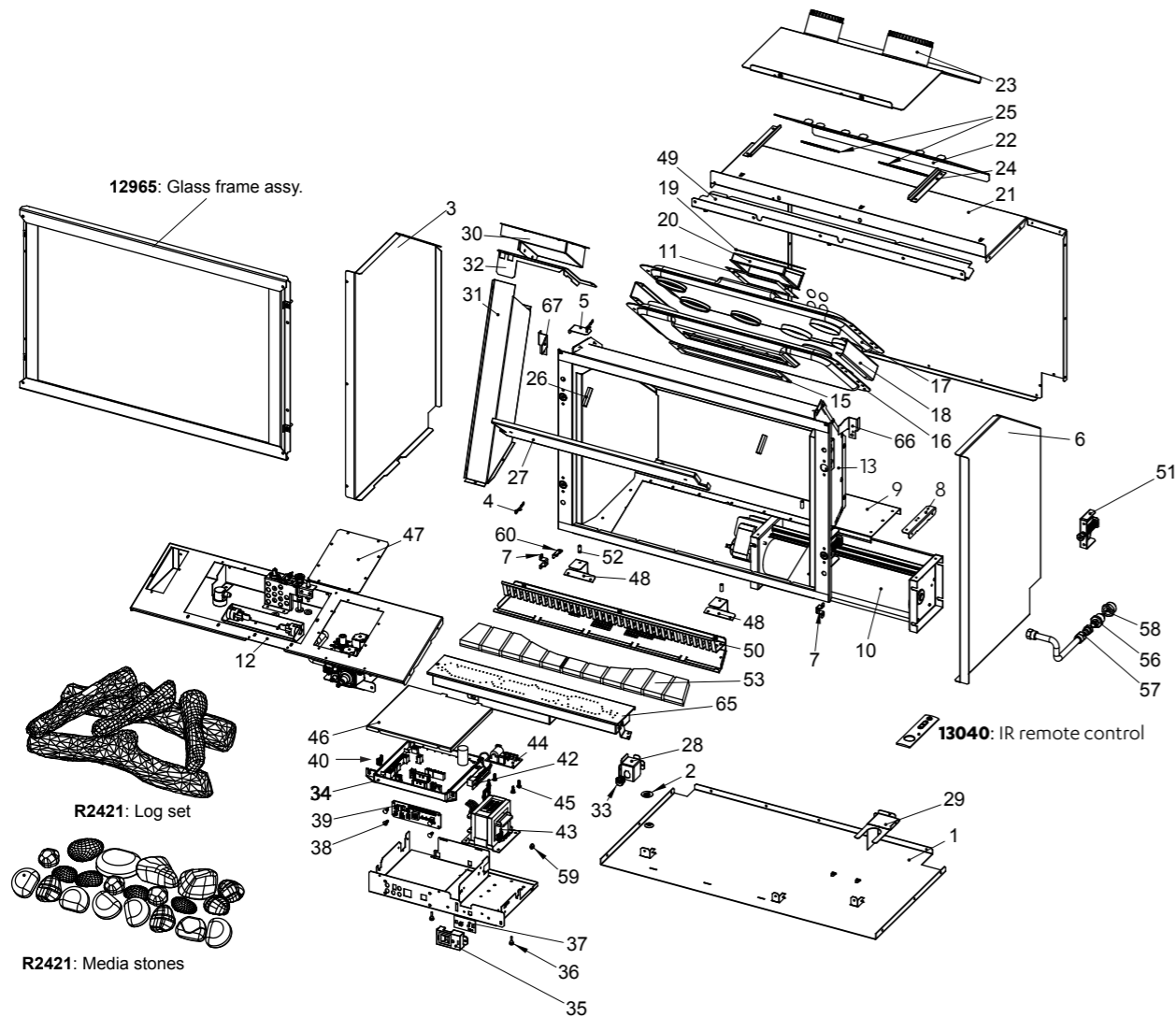


# Ember 700 gas fireplace

This diagram is provided to assist you to identify parts if replacement is necessary. Contact your place of purchase or the manufacturer to enquire about parts, availability and/or service.



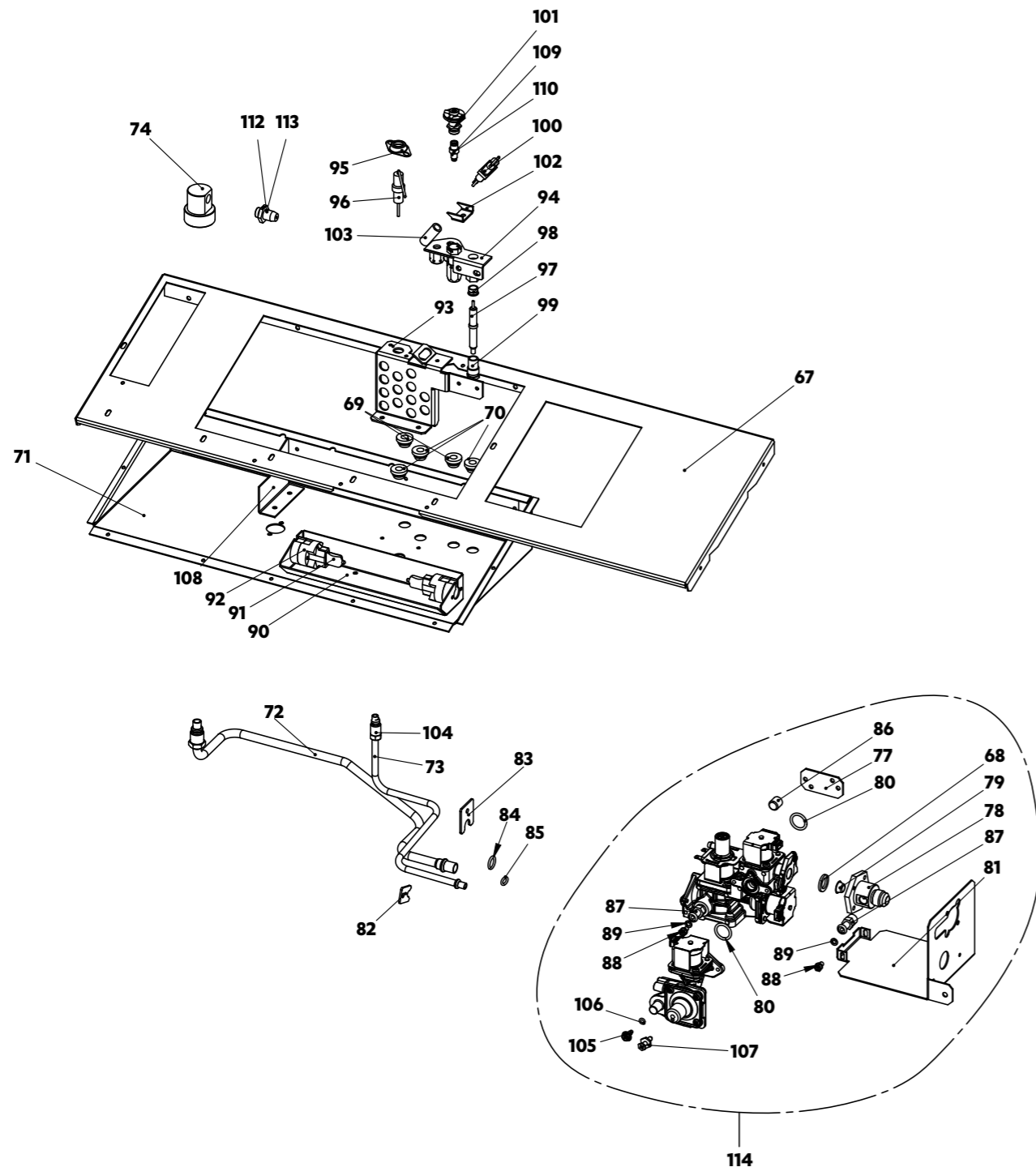
Please note: When ordering the convection fan as a spare, it will come with a gasket.

Ref.	Description	Qty.	Part No.
1	Panel bottom	1	12800
2	Tag earth symbol	1	11269
3	Panel side LH	1	12801
4	Wire tie 80 mm	5	14417
5	Thermal bracket	1	12938
6	Panel side RH	1	12802
7	Fascia install bracket	2	12858
8	Fan mounting bracket	1	12809
9	Bracket fan	1	12964
10	Fan TGA	1	12962
11	Gasket heat exchanger square	1	10926
12	Gas control assembly	1	refer p. 2
13	Combustion chamber painted	1	12812F
14	CC spring bracket	4	12818
15	Gasket heat exchanger rectangle	1	10925
16	Heat exchanger front	1	10890
17	Heat exchanger rear	1	10891
18	Heat exchanger bracket	1	11560
19	Gas adaptor square	1	12909
20	Flue transition assembly	1	12821
21	Rear panel	1	12806
22	Flue mounting plate	1	12807
23	Flue spigot adaptor assembly	1	12808
24	Guide flue adaptor	1	10469
25	Glass seal tape 2 m replacement kit	1	R7010
26	Combustion top spacer	1	11551
27	Combustion heat shield top black	1	12813F
28	Electronic inlet cover bracket	1	12857
29	Gas inlet cover bracket	1	12860
30	Air inlet horizontal	1	12905
31	Air inlet vertical	1	12906
32	Overheat thermistor bracket	1	12939
33	Power cord holder	1	7845
34	PCB main	1	12966
35	PCB case receiver	1	10394

Ref.	Description	Qty.	Part No.
36	Self fix bumper 25-TNF 10/2	2	11304
37	PCB receiver	1	10393
38	PCB spacer 05-PCY06	1	10428
39	PCB display	1	10253
40	Protector plastic edge EHS11U	3	1880
-	Protector plastic edge EHS18U	2	10471
42	Interface board	1	12494
43	Transformer	1	10258
44	Igniter EI-2018	1	13006
45	PCB spacer	4	9004
46	PCB box lid	1	12929
47	Service panel	1	12934
48	Log support rear	2	12912F
49	Air guide top black	1	12814B
50	Stone grill	1	12925F
51	Explosion relief assembly	4	11662
52	Spacer M5X16 CF-516ZE	4	9086
53	Ceramic panel front	1	12908
-	Glass frame assembly	1	12965
55	Flextube 3/8 x 8 c/w 5/8-18 nuts	1	7835
56	Adaptor 1/2 BSP 3/8 SAE flare	1	11944
57	Brass plug 3/8 SAE flare	1	11948
58	Nut 1/2 compression	1	5064
59	Rubber grommet IMG010	1	6749
60	Room thermistor bracket	1	12916
-	IR remote control	1	13040
-	Media stones	1	R2421
-	Log set	1	R2420
65	Burner assembly black NG	1	12922F
65	Burner assembly black ULPG	1	12941F
66	Fascia top air diverter RH	1	12992B
67	Fascia top air diverter LH	1	12991B
-	Electronic box universal control	1	12811

# Ember 700 gas fireplace

This diagram is provided to assist you to identify parts if replacement is necessary. Contact your place of purchase or the manufacturer to enquire about parts, availability and/or service.



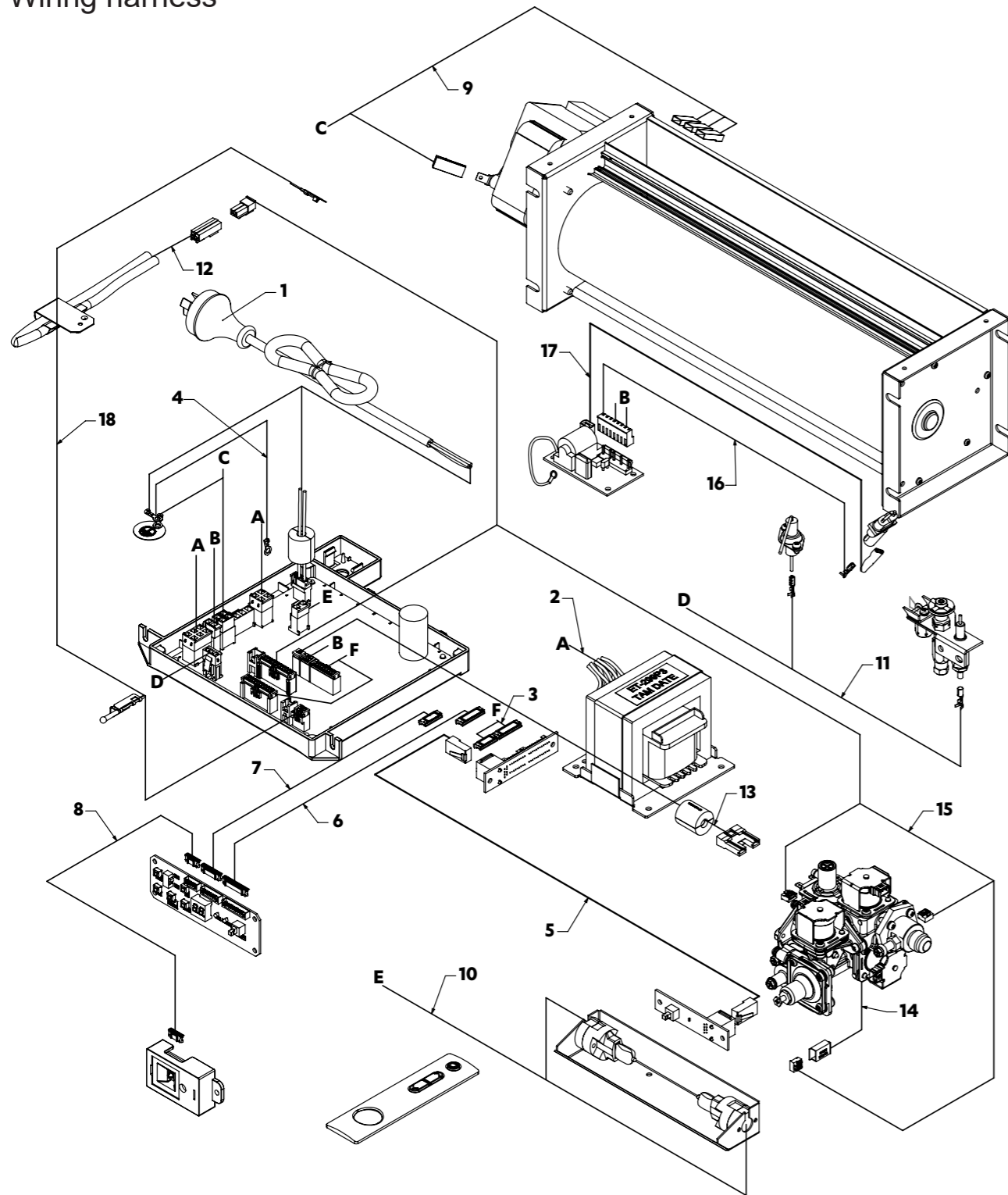
Ref.	Description	Qty.	Part No.
67	Burner support	1	12822
68	Packing	1	10290
69	Grommet silicone Ø4 hole	3	10293
70	Grommet silicone 2 Ø1.8 hole	2	10294
71	Burner air inlet	1	12825
72	Gas supply tube main	1	12827
73	Gas supply tube pilot	1	12828
74	Injector block	1	12838
75	Gas valve main	1	13000
76	Pilot regulator	1	13001
77	Cover plate	1	13003
78	Gas inlet adaptor 3/8" flare	1	13015D
79	Filter RCK-6808-2	1	13019
80	O-ring M10B-1-14	2	13020
81	Mounting bracket	1	13026
82	Tube clamp 6 mm	1	13028
83	Tube clamp 10 mm	1	13029
84	O-ring M10B-1-10	1	2389
85	O-ring M10B-1-6	1	6308
86	Plug dryseal pressure 1/8" BSP	1	6243
87	Pressure test point	2	9992
88	Test point screw	2	3564
89	O-ring M10B-13-4	2	2239
90	Lamp holder mounting bracket	1	12897

Ref.	Description	Qty.	Part No.
91	Halogen bulb 25 W G9	1	12899
92	Lamp holder (Stuuchi G9-227)	2	12898
93	Pilot bracket	1	12824
94	Pilot body top convertible	1	7870
95	Flame rod bracket	1	3068
96	Flame rod	1	12620
97	Electrode	1	7875
98	Spacer electrode pilot	1	7902
99	Electrode nut ETR	1	7900
100	Electrode double	1	10265
101	Pilot convertible hood 3-flame	1	10272
102	Electrode clamp universal control	1	13043
103	Electrode sheath silicone PK2	1	12931
104	Olive 6 mm	1	7519
105	Test point screw C10D-5-1	1	3564
106	O-ring M10B-13-4	1	2239
107	Adjustment screw c/w nut RR83	1	6700
108	Air baffle	1	12867
109	Injector pilot LPG 35	1	7873
110	Injector pilot NG 62	1	7795
112	Injector 1.4 ULPG	1	12507
113	Injector 2.5 NG	1	12734
114	Gas control assembly	1	13047

# Ember 700 gas fireplace

This diagram is provided to assist you to identify parts if replacement is necessary. Contact your place of purchase or the manufacturer to enquire about parts, availability and/or service.

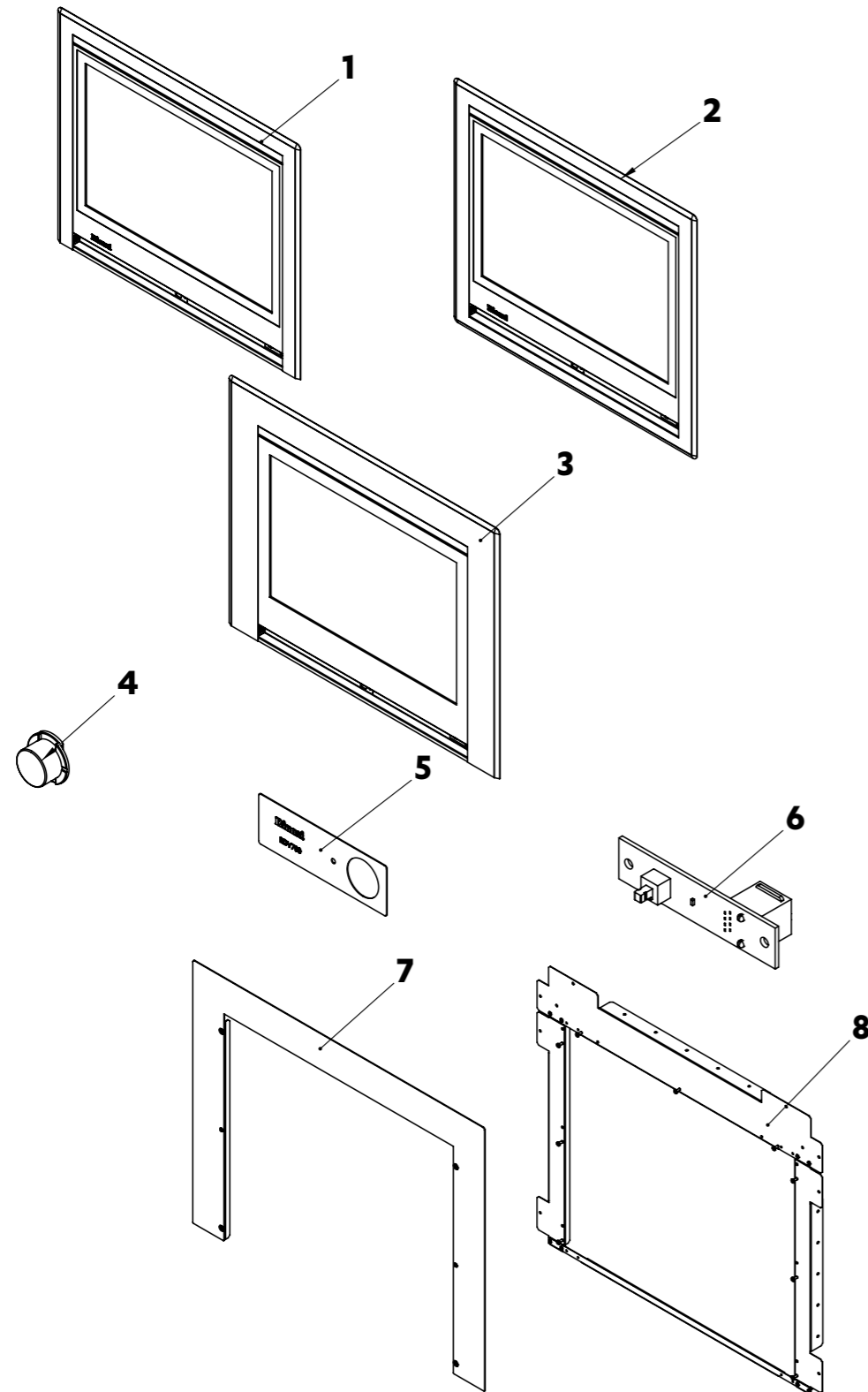
## Wiring harness



Ref.	Description	Part No.
1	Power cord universal control black	13042
2	Transformer	10258
3	Harness control panel	10284
4	Wire earth combustion fan	10387
5	Cable CAT5 x 500 mm	10631
6	Harness 12-way control panel R95	12492
7	Harness 9-way control panel R95	12496
8	Harness receiver	12656
9	Harness fan	12839
10	Harness halogen R67	12998
11	Harness FR	13008
12	Harness thermal fuse RHF265-1014 x01	13011
13	Harness POV universal control	13012
14	Harness magnetic valve relay	13013
15	Harness main gas control	13014
16	Harness ignition	13031
17	High tension lead	13032
18	Harness thermistor universal control	13034

# Ember 700 gas fireplace

This diagram is provided to assist you to identify parts if replacement is necessary. Contact your place of purchase or the manufacturer to enquire about parts, availability and/or service.



Ref.	Description	Qty.	Part No.
1	Ember 700 3-sided black frame	1	R2400
1	Ember 700 3-sided titanium frame	1	R2402
2	Ember 700 4-sided black frame	1	R2403
2	Ember 700 4-sided titanium frame	1	R2405
3	Ember 700 masonry frame	1	R2406
4	Button	1	10250
5	Control label	1	12862
6	Switch main control	1	12999
7	Infill panel Ember 700	1	R2452
8	Zero clearance frame Ember	1	R2450
<b>Not drawn</b>			
-	Granules	2	2544
-	Crushed glass 100 g	1	12967
-	Rockwool 2 g	1	12968