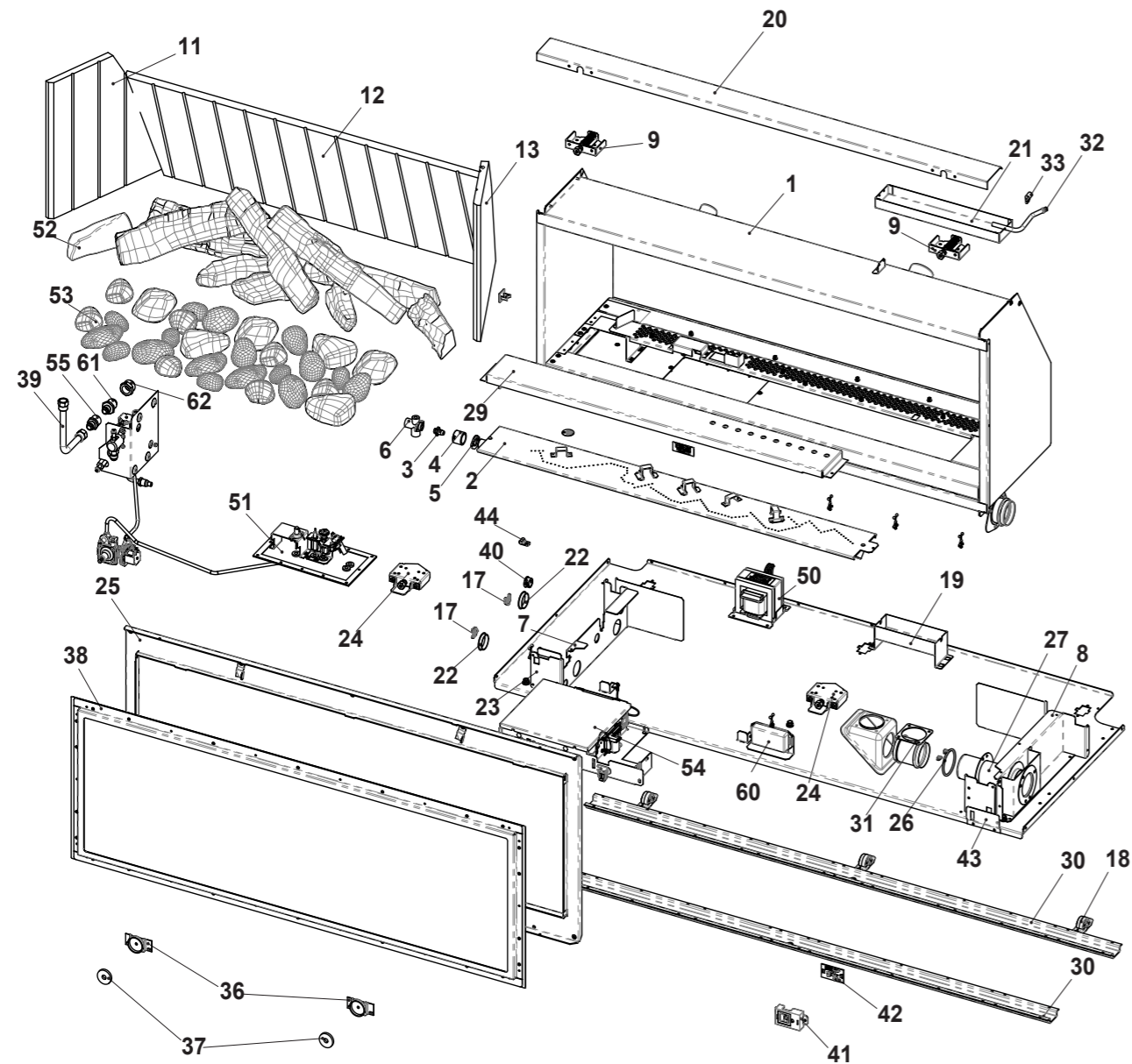


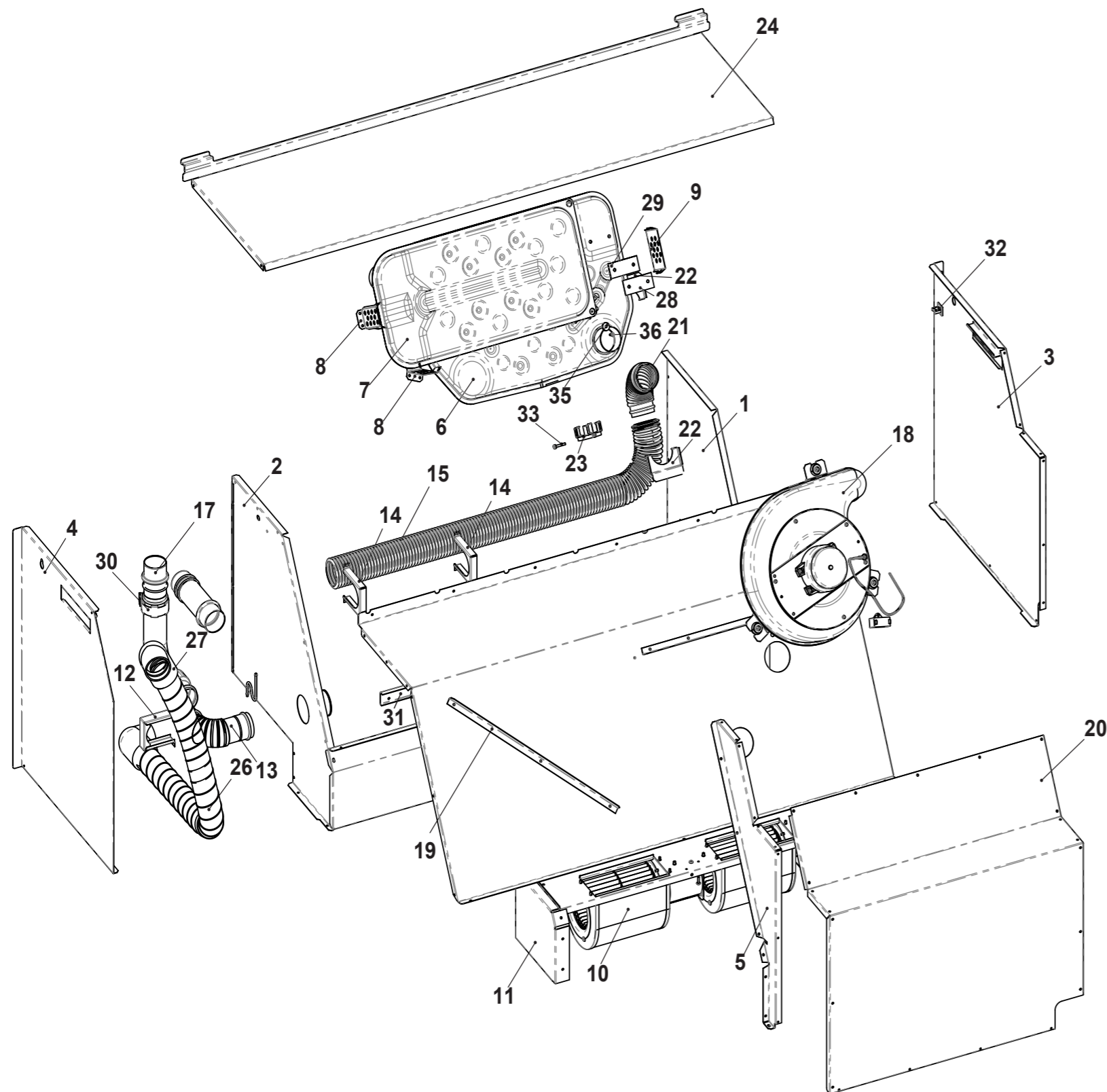
This diagram is provided to assist you to identify parts if replacement is necessary. Contact your place of purchase or the manufacturer to enquire about parts, availability and/or service.



Ref.	Description	Qty.	Part No.
1	Combustion chamber assembly	1	16100F
2	Burner front assembly painted	1	16108F
3	Injector 2.8 NG	1	11892
3	Injector 1.8 LPG	1	12731
4	Aeration sleeve NG 19.5 mm	1	12499
5	Packing injector block	1	10462
6	Injector block A + C	1	7953
7	Combustion chamber support LH	1	13076
8	Combustion chamber support RH	1	12402
9	Explosion relief spare	2	11662
10	Panel burner support LH NG	1	16103-1
11	Ceramic panel groove LH	1	12602
12	Ceramic panel groove rear	1	12604
13	Ceramic panel groove RH	1	12603
14	Screw 2 truss 4 x 8 tap zinc	18	9151
15	Base panel assembly	1	13077
16	Pilot regulator bracket	1	13067
17	Protector plastic edge	2	1880
18	Wheel kit	3	10751
19	Condensate tray bottom	1	12558
20	Relief spring cover black	1	12635F
21	Condensate tray top	1	12484
22	Grommet	2	11937
23	Bracket fascia install	2	12437
24	Explosion relief bottom assembly	2	11663
25	Glass frame spare part	1	12667
26	O-ring M10B-4-49	1	4850
27	Air inlet assembly	1	12521
28	Air inlet box front	1	10234
29	Air diverter	1	16109
30	Base support brackets	2	12644
31	Packing for air inlet box	1	10271
32	Condensate pipe	1	12485
33	Cable clamp metal 7.9 mm	1	9560
34	Heat shield bracket black	1	12627F
35	Heat shield top black	1	12422F
36	Magnet bracket	2	12624

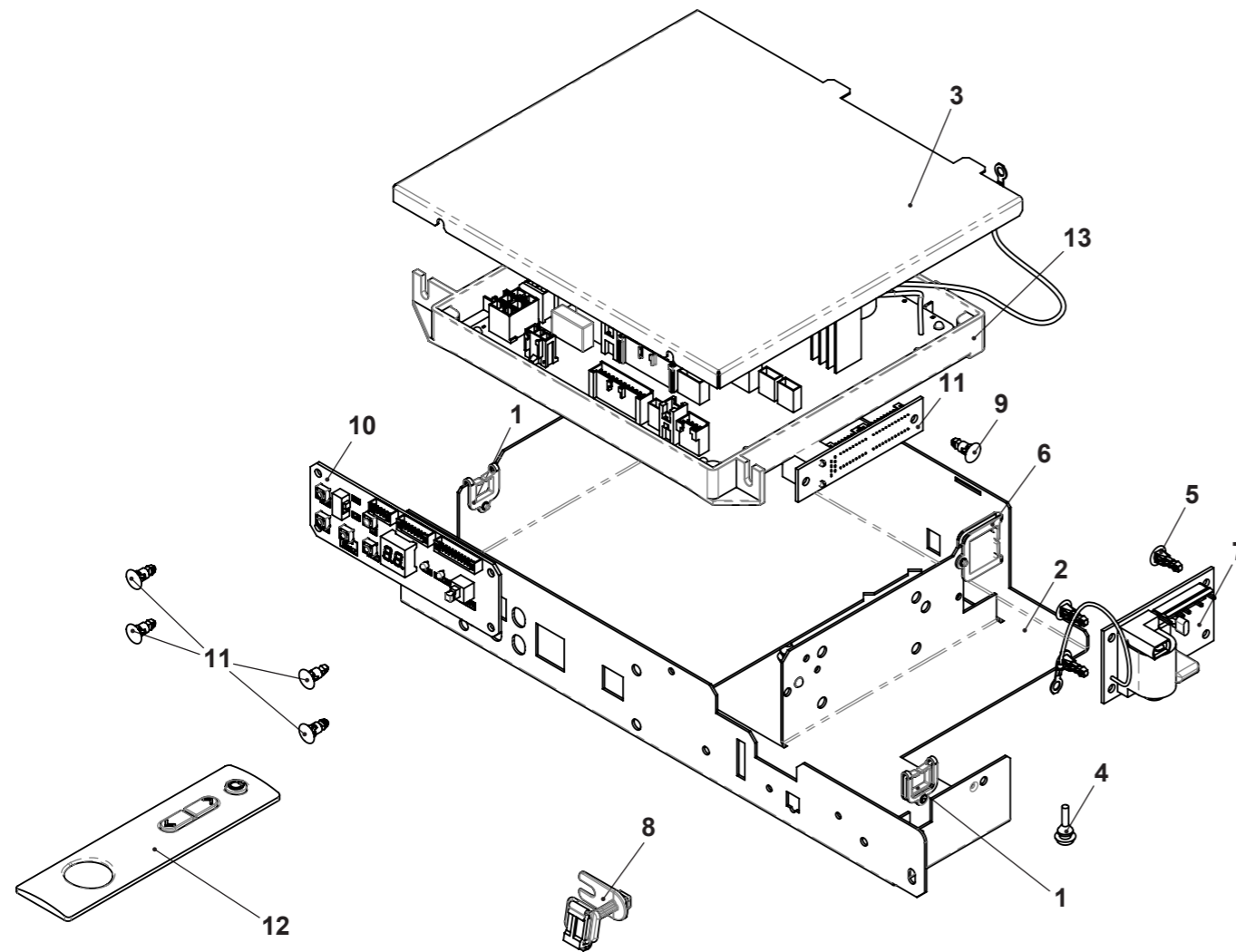
Ref.	Description	Qty.	Part No.
37	Magnet FS	2	7136
38	Dress guard kit	1	R2788
39	Flextube 3/8 x 8 CW 5/8 - 18 nuts	1	7835
40	Insulating bush	1	10657
41	PCB case receiver	1	10394
42	PCB receiver	1	10393
43	Receiver bracket	1	12486
44	Power cord clamp diam. 6.35	1	9552
45	Cable clip	7	6698
46	Cover convection fan LH	1	12637
47	Cover convection fan RH	1	12641
48	Convection fan spacer bracket	1	12436
49	Heat exchanger clamp	1	12468
50	Transformer	1	10258
51	Gas control assembly NG/ULPG	1	p.4
52	Log set	1	R2783
53	Stone set	1	R2782
54	Ebox, refer p.3	1	-
55	Reducing flare 3/8 x 1/2	1	5074
56	Power cord black	1	13042
57	Screw 2 pan head tapping	1	9150
58	Cable clip	2	10309
59	Bracket Wi-Fi receiver	1	13049
60	Wi-Fi receiver	1	13038
61	Adaptor 1/2 BSP 3/8 SAE flare	1	11944
62	Nut 1/2 compression	1	5064
-	Granule pack	1	2544

This diagram is provided to assist you to identify parts if replacement is necessary. Contact your place of purchase or the manufacturer to enquire about parts, availability and/or service.



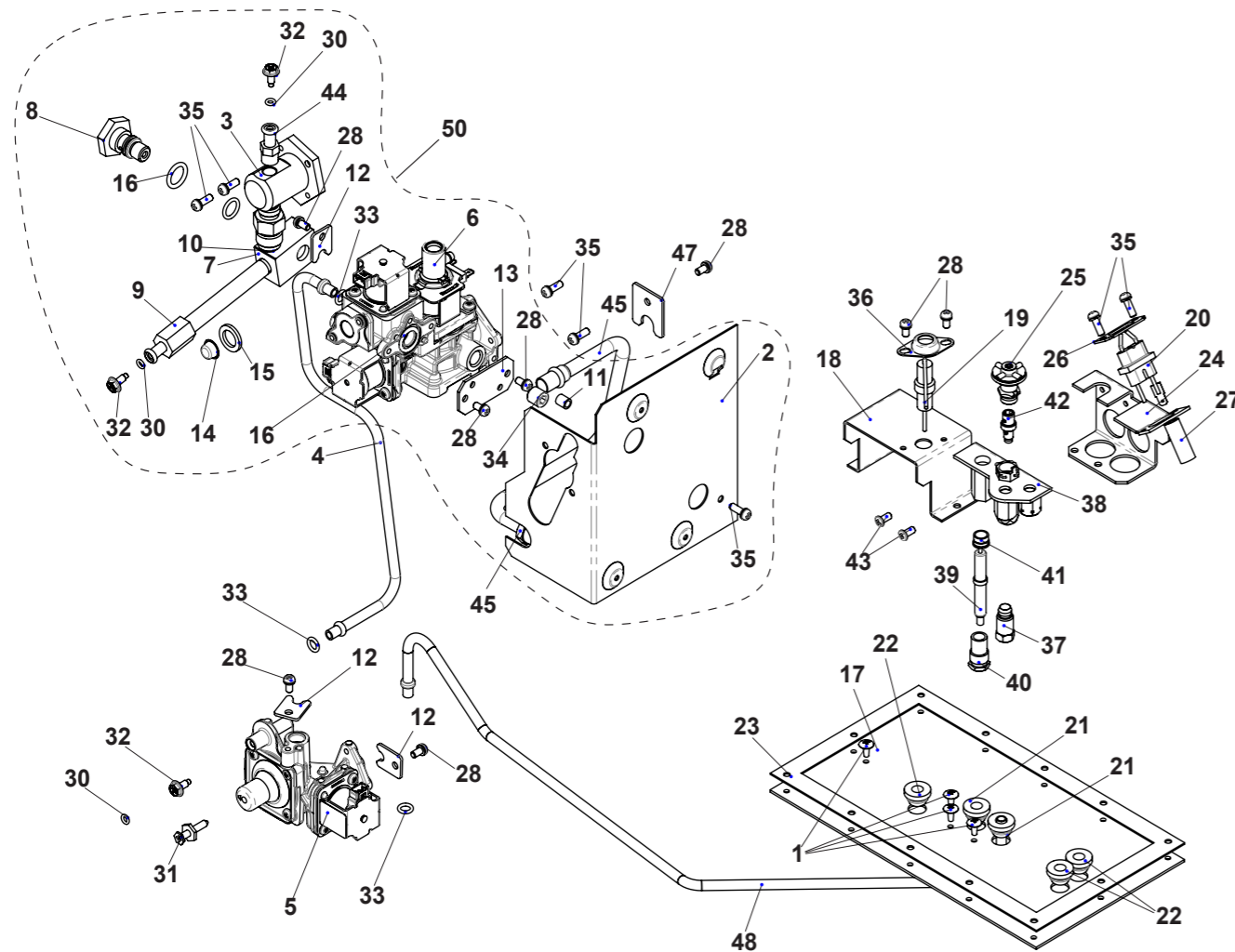
Ref.	Description	Qty.	Part No.
1	Panel heat shield LH	1	13060
2	Panel heat shield RH	1	12405
3	Panel side LH	1	12674
4	Panel side RH	1	12675
5	Panel combustion fan side cover	1	12412
6	Heat exchanger front	1	12525
7	Heat exchanger rear	1	10351
8	Combustion chamber heat exchanger bracket	1	12419
9	Bracket heat exchanger	1	12995
10	Convection fan assembly	1	12536
11	Convection fan cover	1	12671
12	Exhaust bracket	1	12420
13	Air outlet elbow	1	10334
14	Heat exchanger clamp	1	12468
15	Heat exchanger pipe	1	12606
16	Condensate flue pipe	1	10446
17	Flue slide tube 50 x 135	1	4326
18	Combustion fan	1	13619
19	Heat shield rear	1	12670
20	Combustion fan cover panel	1	12634
21	Combustion exhaust elbow	1	13439
22	Heat exchanger pipe clamp	2	12953
23	Flue slide stopper	1	4822
24	Top panel	1	12669
25	Flue pipe set	1	10313
26	Air inlet hose	1	10349
27	Air inlet elbow B	2	4328
28	Bracket sound absorber	2	10399
29	Heat exchanger sound absorber	2	10477
30	Flue clamp 50 mm	1	4823
31	Convection fan spacer bracket	1	12436
32	Cable clip	3	10309
33	Screw M4 x 25 panphil ZC	1	9076
34	Cable clip	1	6698
35	Bush HX	1	9275
36	Screw 8x5 / 8	1	9018
37	Screw 2 pan head tapping	2	9150
38	Adaptor 1/2 BSP 3/8 SAE flare	1	11944

This diagram is provided to assist you to identify parts if replacement is necessary. Contact your place of purchase or the manufacturer to enquire about parts, availability and/or service.



Ref.	Description	Qty.	Part No.
1	Protector plastic edge EHS11U	2	1880
2	Electronic box	1	13027
3	PCB box lid	1	12929
4	Self fix rubber bumper 25-TNF (rubber)	2	11304
5	PCB spacer black	4	9004
6	Protector plastic edge EHS18U	2	10471
7	Igniter EI-0218	1	13006
8	Thermistor holder	1	7540
9	PCB spacer	5	10428
10	PCB display	1	10253
11	Interface board	1	12494
12	Remote control IR universal	1	13040
13	PCB main	1	16150

This diagram is provided to assist you to identify parts if replacement is necessary. Contact your place of purchase or the manufacturer to enquire about parts, availability and/or service.



Ref.	Description	Qty.	Part No.
13	Cover plate	1	13003
14	Filter RCK-6808-2	1	13019
15	Rubber sealing washer for gas connection	1	10290
16	O-ring M10B-1-14	2	13020
17	Pilot base universal control	1	13062
18	Flame rod bracket	1	13063
19	Flame rod	1	12620
20	Double electrode	1	10265
21	Grommet silicone Ø4 hole red	2	10293
22	Grommet silicone 2Ø1.8 hole black	3	10294
23	Gasket injector block	1	11554
24	Pilot bracket	1	12460
25	Pilot convertible hood 4-flame	1	12463
26	Bracket electrode clamp	1	12461
27	Silicone tube 25 x 9.5 x 6.4	1	12931
28	Screw M4 x 8 PHPMZ springwasher	8	9064
29	O-ring M10B-1-10	1	2389
30	O-ring M10B-13-4	3	2239
31	Adjusting screw c/w nut	1	6783
32	Test point screw	3	3564
33	O-ring M10B-1-6	3	6308
34	Plug dryseal pressure 1/8 BSP	1	6243
35	Screw M4 x 12 machine c/w washer	7	9070
36	Flame rod bracket	1	3068
37	Olive 6 mm	1	7519
38	Pilot body top convertible	1	7870
39	Electrode	1	7875
40	Electrode nut	1	7900
41	Spacer electrode pilot	1	7902
42	Injector NG 75	1	7796
42	Injector LPG 40	1	7905
43	Screw M4 x 8 pan phil zinc	2	9063
44	Pressure test point	1	9992
45	Gas tube burner	1	16130-2
46	Tube nut 1/4 BSPF	1	7956
47	Tube clamp 10	1	13029
48	Gas tube pilot	1	16131
49	Injector LPG 40	1	7905
50	Gas control assembly SPARE <sup>1</sup>	1	16148

<sup>1</sup> Gas control spare contains:  
2, 3, 6, 7, 8, 9, 10, 11, 12, 13, 14, 15, 16, 28,  
30, 32, 33, 34, 35, 44

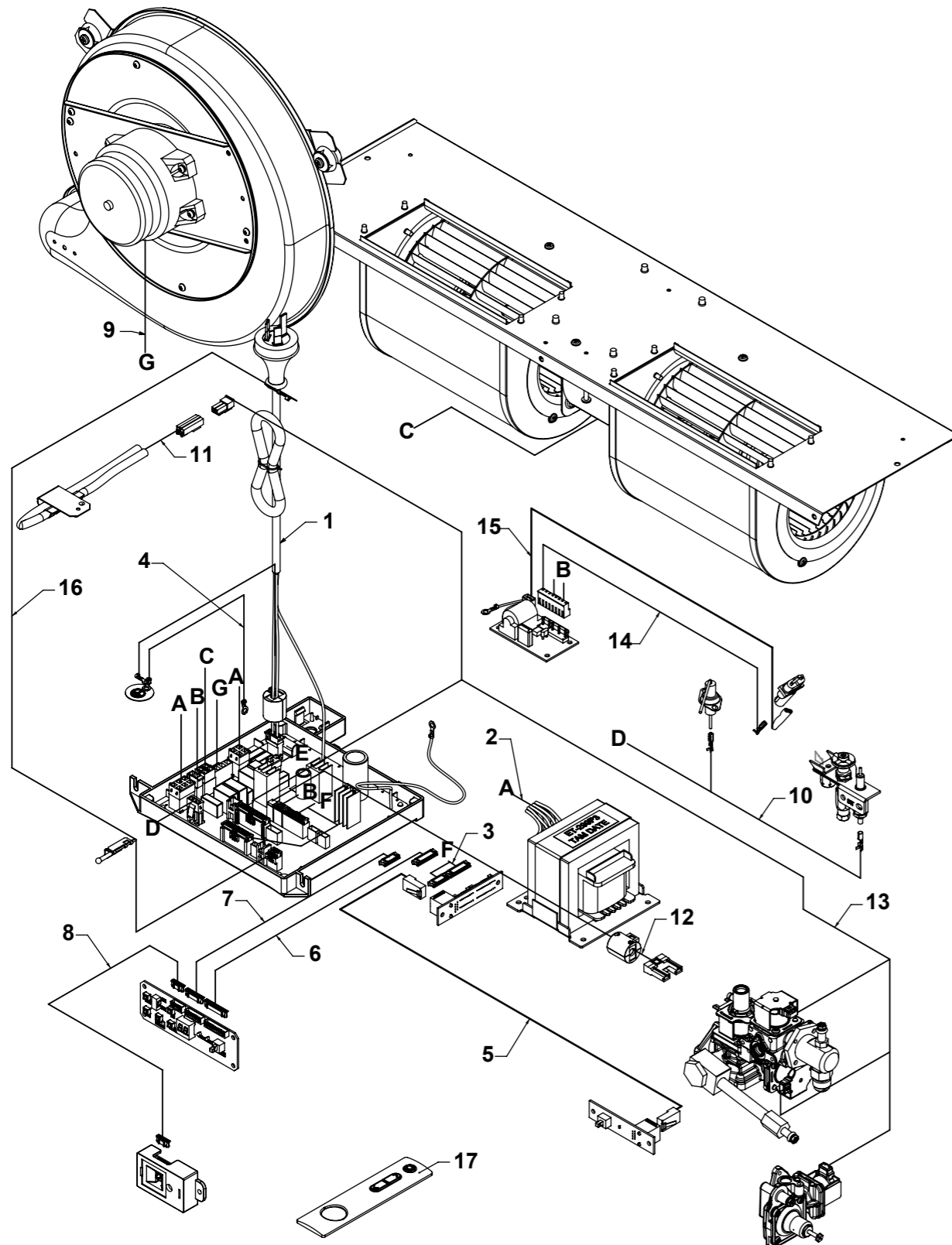
plus o-rings:

- Ø6 o-ring M10B-1-6 6308
- Ø10 o-ring M10B-1-10 2389

Does not include the gas control pipes

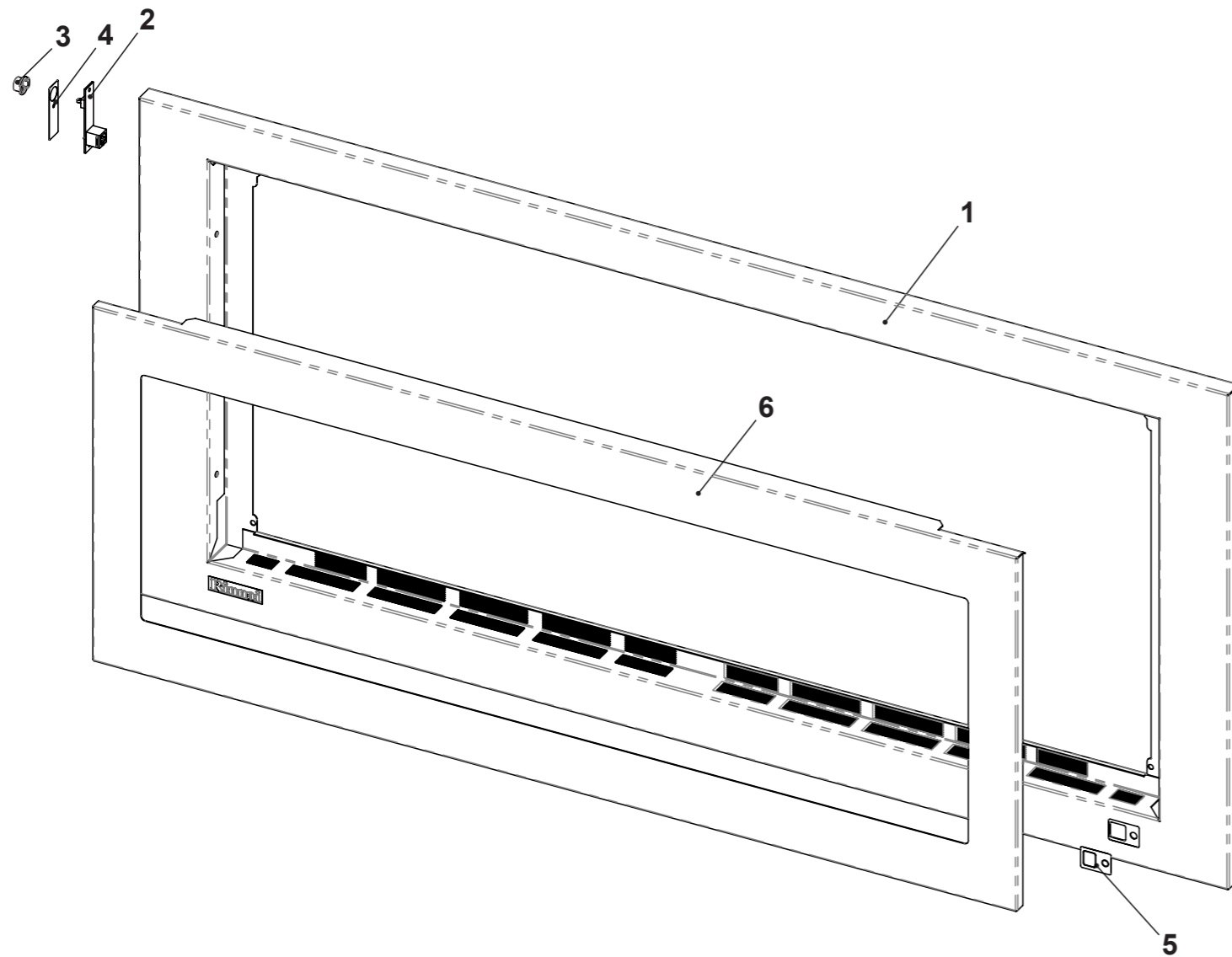
Ref.	Description	Qty.	Part No.
1	Screw 2 truss 4 x 8 tap zinc	4	9151
2	Bracket gas control	1	13024
3	Gas inlet adaptor 1/4 elbow	1	13016
4	Pilot valve supply tube	1	13071
5	Pilot regulator	1	13001
6	Gas valve main	1	13000
7	Test point adaptor outlet	1	13072
8	Test point adaptor inner	1	13073
9	Test point main	1	13017
10	Flare reducing 3/8 SAE x 1/4 BSPP M	1	13018
11	Spacer M4 clearance 7 mm high	1	13066
12	Tube clamp 6	1	13028

This diagram is provided to assist you to identify parts if replacement is necessary. Contact your place of purchase or the manufacturer to enquire about parts, availability and/or service.



Ref.	Description	Part No.
1	Power cord universal control black	13042
2	Transformer	10258
3	Harness control panel	10284
4	Wire earth combustion fan	10387
5	Cable CAT5 x 1.4 m	11925
6	Harness 12-way control panel	12492
7	Harness 9-way control panel	12496
8	Harness receiver	12656
9	Harness combustion fan (OH2)	12655
10	Harness flame rod	13008
11	Thermal fuse	13011
12	Harness POV	13012
13	Harness thermal fuse main valve	13014
14	Harness ignition	13036
15	HT lead	13089
16	Harness room temp. thermistor (OH1)	13483
17	Universal IR remote control	13040
-	Ferrite clamp x 2	13004

This diagram is provided to assist you to identify parts if replacement is necessary. Contact your place of purchase or the manufacturer to enquire about parts, availability and/or service.



Ref.	Description	Part No.
1	Outer frame black	16149
2	Main control switch	12999
3	Button	10250
4	Control label	16139
5	Filter B for PCB receiver	10268
6	Frame inner black	12672