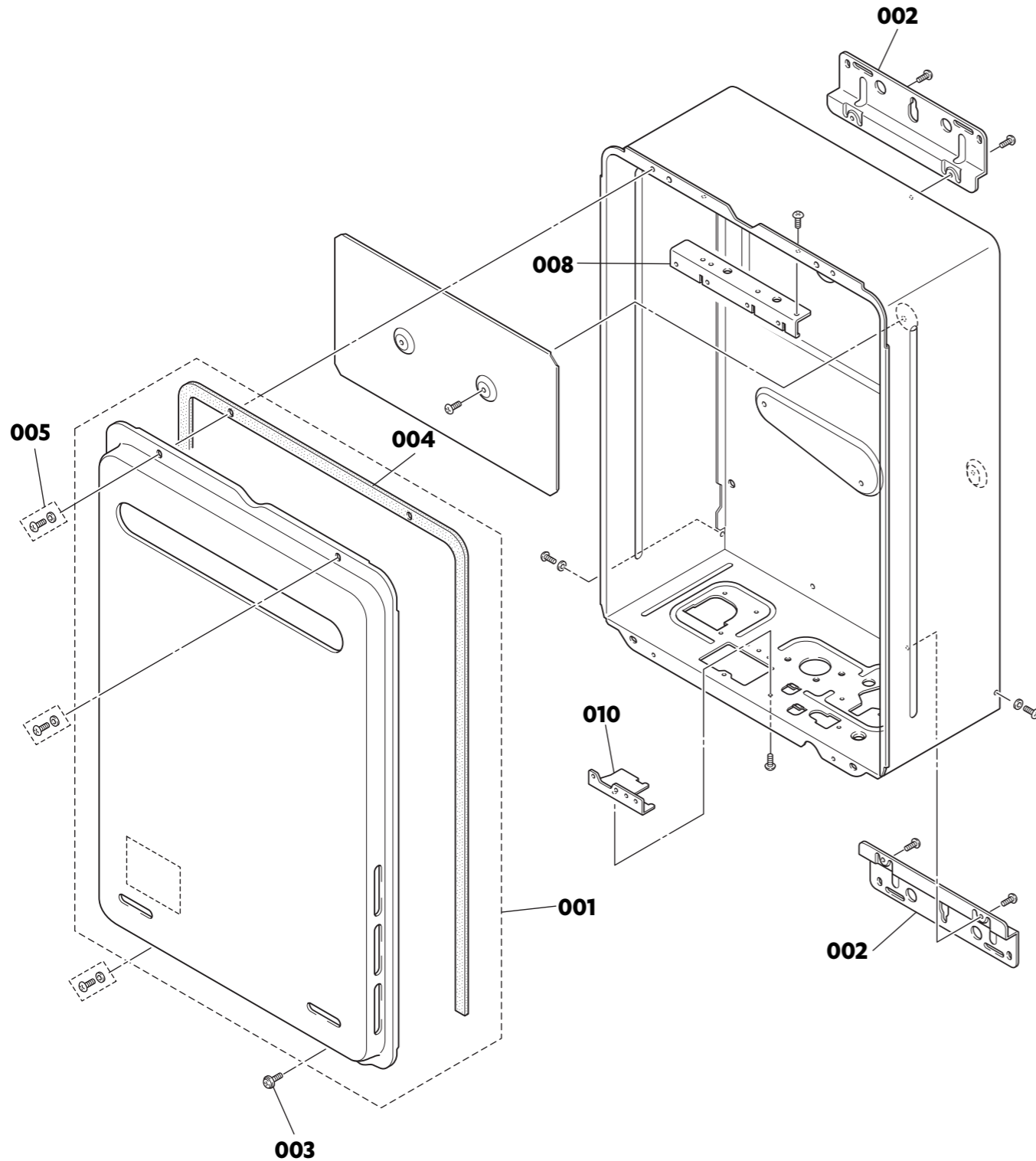


## INFINITY A-Series external residential CFWH

(A16: REU-A1620WG-ZK, **A16 Graphite**: REU-A1620WG-ZK(B), A20: REU-A2024WG-ZK, A24: REU-A2426WG-ZK, A26: REU-A2626WG-ZK, **A26 Graphite**: REU-A2626WG-ZK(B))

This diagram is provided to assist you to identify parts if replacement is necessary. Contact your place of purchase or the manufacturer to enquire about parts, availability and/or service.

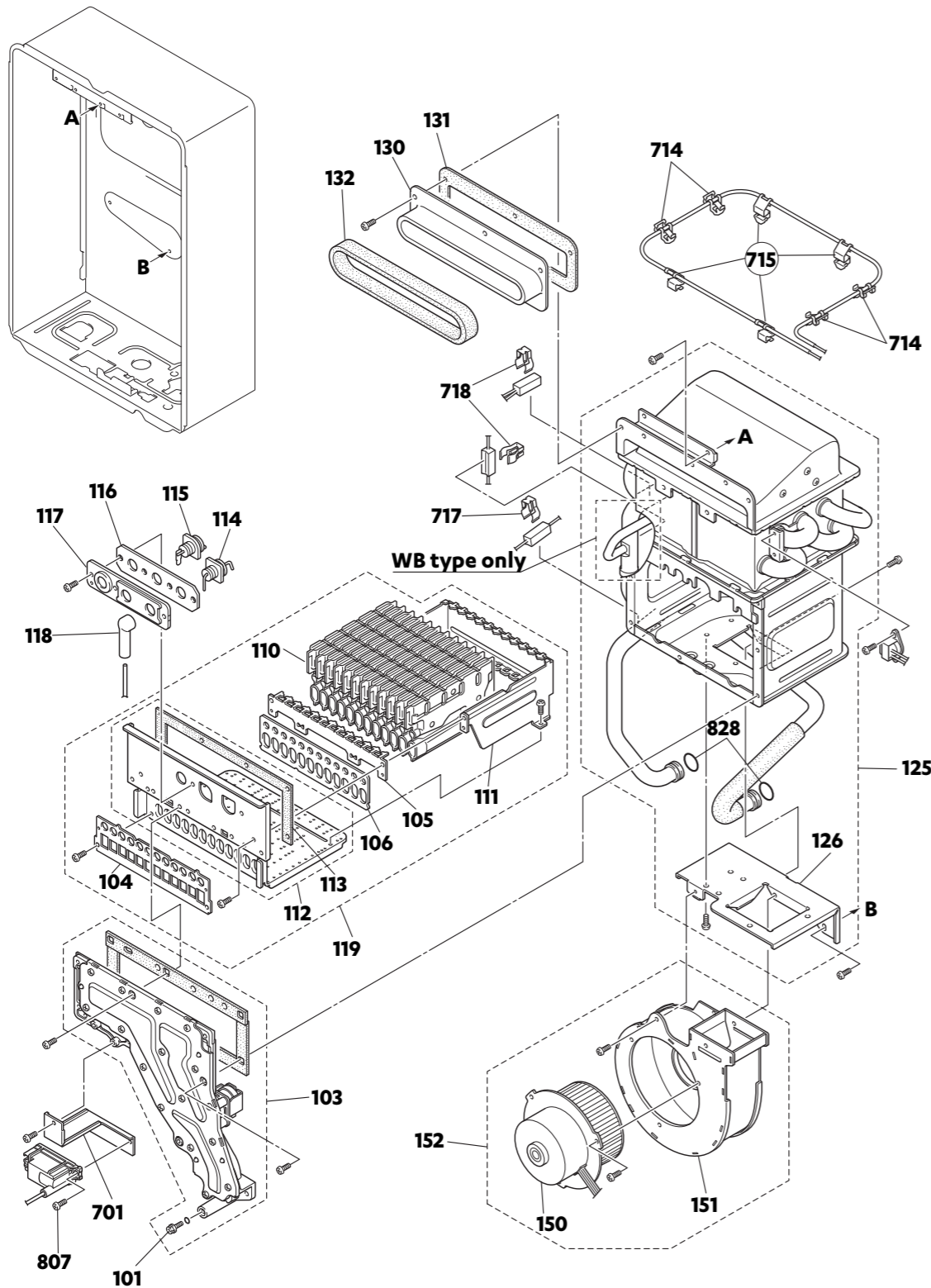


Ref.	Description	Part No.	A16	A20	A24	A26	Stocked
001	Panel front assembly A26	40100				1	✓
001	Panel front assembly A26 <b>Graphite</b>	40198				1	✓
001	Panel front assembly A24	40101			1		✓
001	Panel front assembly A20	40102		1			✓
001	Panel front assembly A16	40103	1				✓
001	Panel front assembly A16 <b>Graphite</b>	40604	1				✓
002	Wall bracket	40104	2	2	2	2	✓
003	Screw pack front panel	R5040	1	1	1	1	✓
003	Screw pack front panel <b>Graphite</b>	TBD					
004	Gasket front panel	40105	1	1	1	1	x
005	Refer 003						
008	Heat exchanger bracket	40108	1	1	1	1	✓
010	Connection reinforcement panel	40110	1	1	1	1	✓

## INFINITY A-Series external residential CFWH

(A16: REU-A1620WG-ZK, A16 Graphite: REU-A1620WG-ZK(B), A20: REU-A2024WG-ZK, A24: REU-A2426WG-ZK, A26: REU-A2626WG-ZK, A26 Graphite: REU-A2626WG-ZK(B))

This diagram is provided to assist you to identify parts if replacement is necessary. Contact your place of purchase or the manufacturer to enquire about parts, availability and/or service.



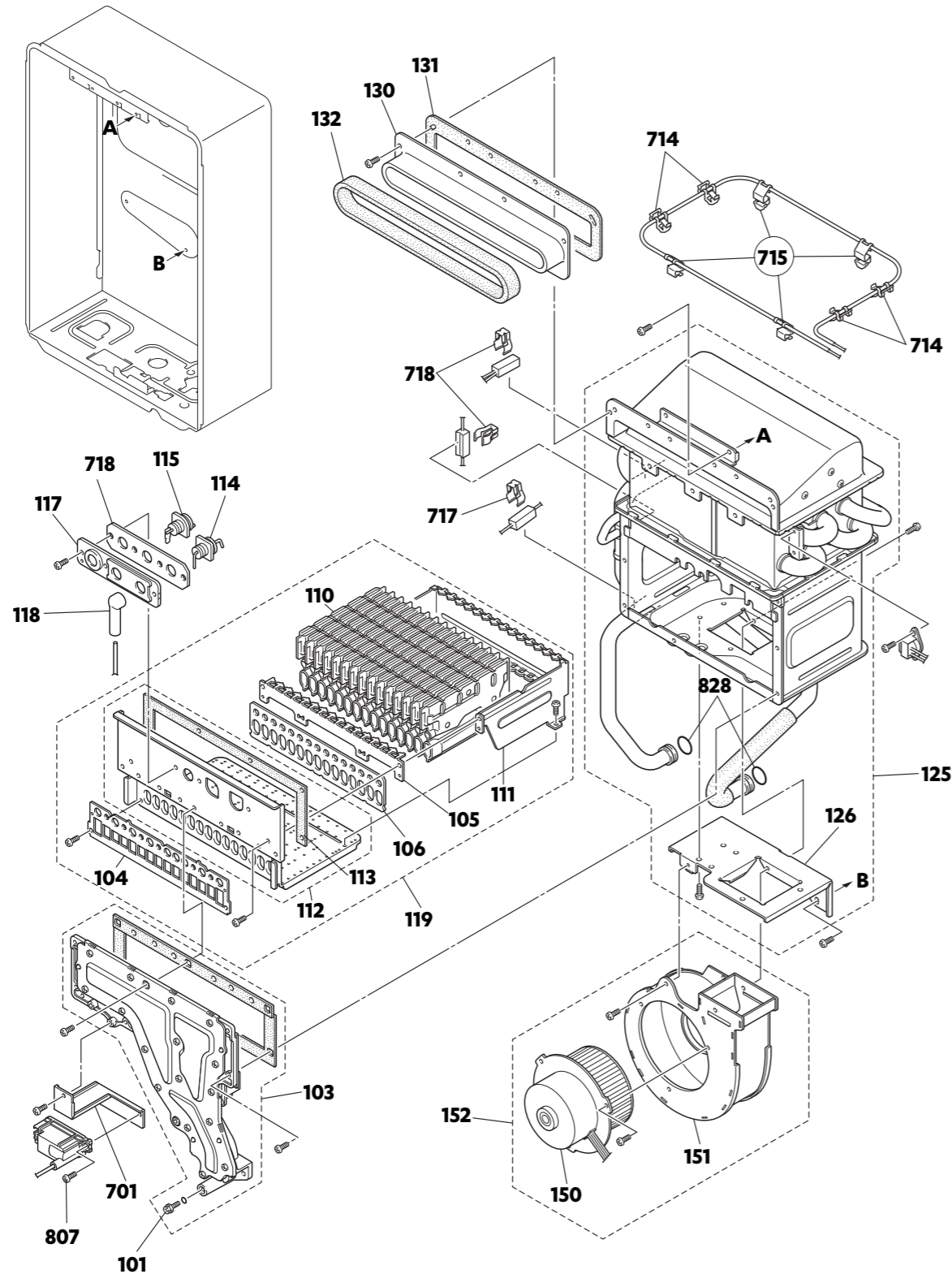
### A16 combustion spares

Ref.	Description	Part No.	Qty	Stocked
101	Test point screw	3564	2	✓
103	Manifold assembly A16 - LPG	40118	1	✓
103	Manifold assembly A16 - NG	40119	1	✓
104	Damper A16	40122	1	✓
105	Burner case A16	40125	1	✓
106	Packing A16	40128	1	X
110	Lean rich burner assembly	40135	12	✓
111	Burner case rear A16	40138	1	X
112	Burner case front A16	40141	1	X
113	Burner gasket A16	40144	1	X
114	Electrode	40145	1	✓
115	Flame rod	40147	1	✓
116	Electrode packing	40148	1	✓
117	Electrode holder	40149	1	✓
118	Electrode sleeve	3475	1	✓
119	Burner assembly A16	40152	1	✓
125	Heat exchanger assembly A16	40155	1	✓
126	Heat exchanger support bracket	40156	1	✓
130	Exhaust flue A16	40159	1	✓
131	Packing exhaust outlet A16	3282	1	✓
132	Front panel seal packing A16	3283	1	✓
150	Combustion fan motor A16	40163	1	✓
151	Fan casing A16	40166	1	X
152	Combustion fan assembly A16	40169	1	X
701	Igniter fixing plate	40175	1	X
714	Bracket A thermal fuse	40189	4	✓
715	Bracket B thermal fuse	40190	4	✓
717	Heater clip A	2032	1	X
718	Heater clip B	40192	2	✓
807	Tapping screw	2896	1	X
820	Screw	2938	2	X
828	O-ring M10B-2-14	3826	2	✓

## INFINITY A-Series external residential CFWH

(A16: REU-A1620WG-ZK, A16 Graphite: REU-A1620WG-ZK(B), A20: REU-A2024WG-ZK, A24: REU-A2426WG-ZK, A26: REU-A2626WG-ZK, A26 Graphite: REU-A2626WG-ZK(B))

This diagram is provided to assist you to identify parts if replacement is necessary. Contact your place of purchase or the manufacturer to enquire about parts, availability and/or service.



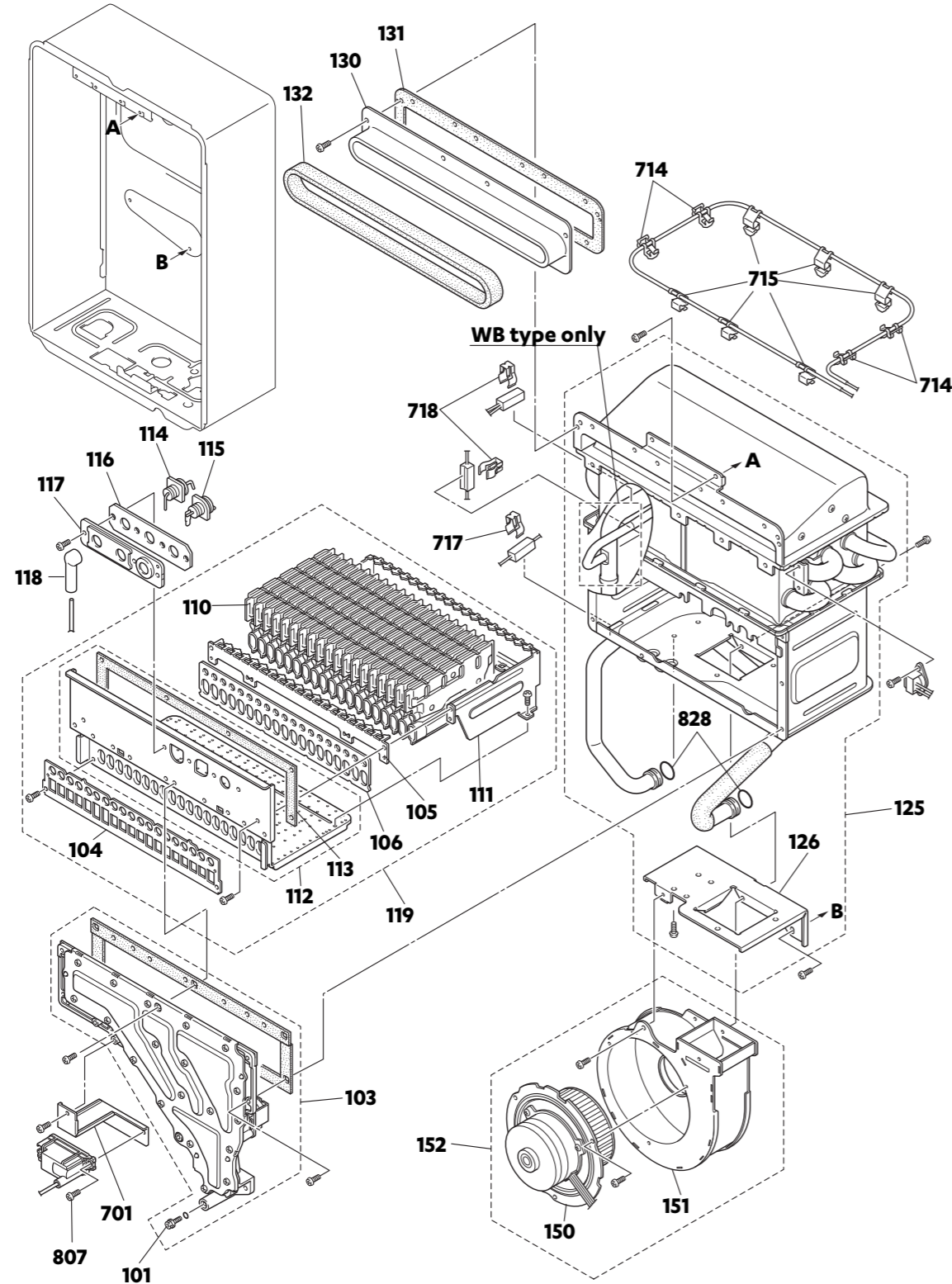
### A20 combustion spares

Ref.	Description	Part No.	Qty	Stocked
101	Test point screw	3564	2	✓
103	Manifold assembly A20 - LPG	40116	1	✓
103	Manifold assembly A20 - NG	40117	1	✓
104	Damper A20	40121	1	✓
105	Burner case A20	40124	1	✓
106	Packing A20	40127	1	X
110	Lean rich burner assembly	40135	15	✓
111	Burner case rear A20	40137	1	X
112	Burner case front A20	40140	1	X
113	Burner gasket A20	40143	1	X
114	Electrode	40145	1	✓
115	Flame rod	40147	1	✓
116	Electrode packing	40148	1	✓
117	Electrode holder	40149	1	✓
118	Electrode sleeve	3475	1	✓
119	Burner assembly A20	40151	1	✓
125	Heat exchanger assembly A20	40154	1	✓
126	Heat exchanger support bracket	40156	1	✓
130	Exhaust flue A20	40160	1	✓
131	Packing exhaust outlet A20	3256	1	✓
132	Front panel seal packing A20	3284	1	✓
150	Combustion fan motor A20	40163	1	✓
151	Fan casing A20	40165	1	X
152	Combustion fan assembly A20	40168	1	X
701	Igniter fixing plate	40175	1	X
714	Bracket A thermal fuse	40189	4	✓
715	Bracket B thermal fuse	40190	4	✓
717	Heater clip A	2032	1	X
718	Heater clip B	40192	2	✓
807	Tapping screw	2896	1	X
820	Screw	2938	2	X
828	O-ring M10B-2-14	3826	2	✓

## INFINITY A-Series external residential CFWH

(A16: REU-A1620WG-ZK, A16 Graphite: REU-A1620WG-ZK(B), A20: REU-A2024WG-ZK, A24: REU-A2426WG-ZK, A26: REU-A2626WG-ZK, A26 Graphite: REU-A2626WG-ZK(B))

This diagram is provided to assist you to identify parts if replacement is necessary. Contact your place of purchase or the manufacturer to enquire about parts, availability and/or service.



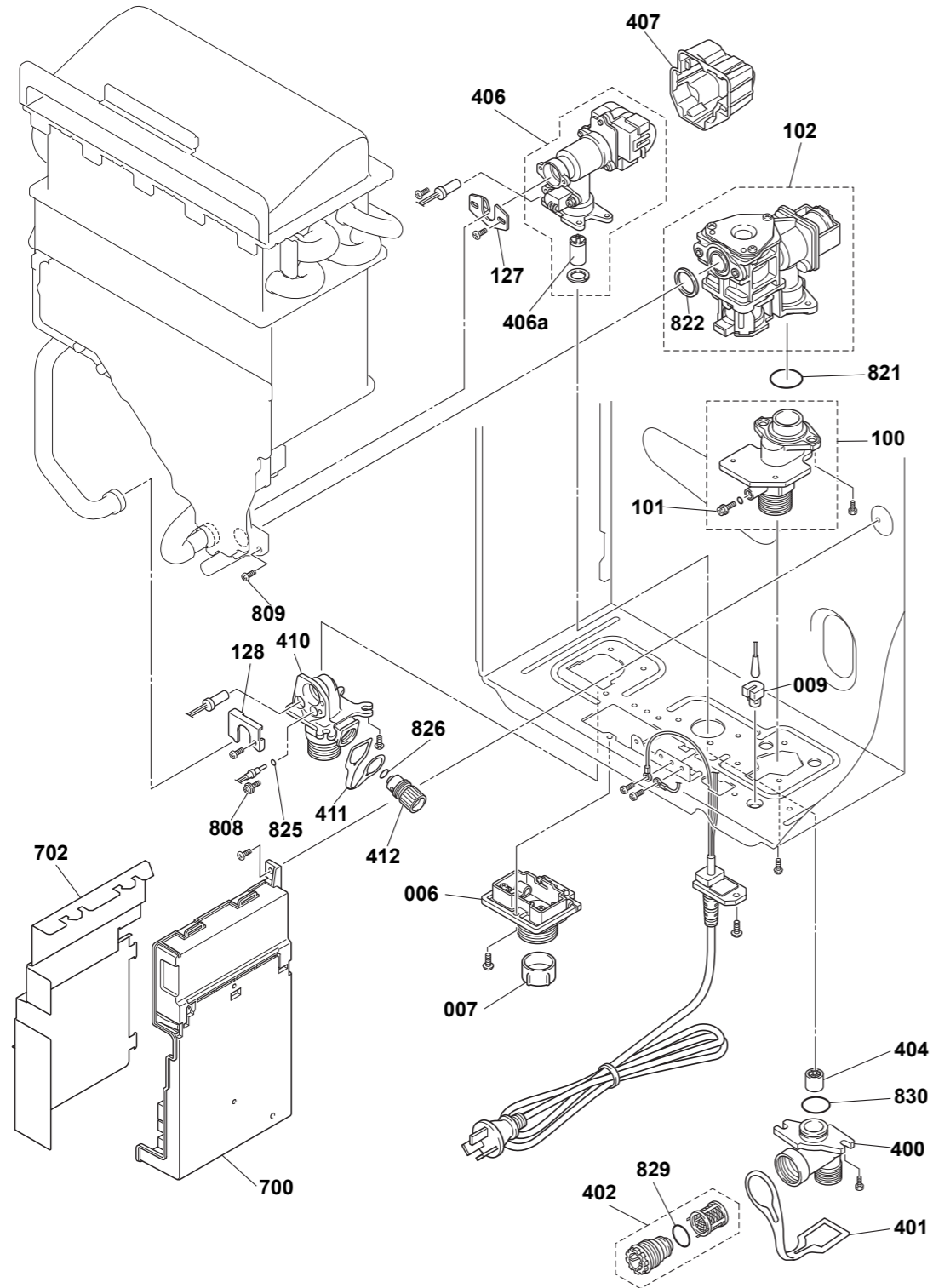
### A24 and A26 combustion spares

Ref.	Description	Part No.	Qty	Stocked
101	Test point screw	3564	2	✓
103	Manifold assembly A24, A26 - LPG	40114	1	✓
103	Manifold assembly A24, A26 - NG	40115	1	✓
104	Damper A24, A26	40120	1	✓
105	Burner case A24, A26	40123	1	✓
106	Packing A24, A26	40126	1	X
110	Lean rich burner assembly	40135	19	✓
111	Burner case rear A24, A26	40136	1	X
112	Burner case front A24, A26	40139	1	X
113	Burner gasket A24, A26	40142	1	X
114	Electrode	40145	1	✓
115	Flame rod	40146	1	✓
116	Electrode packing	40148	1	✓
117	Electrode holder	40149	1	✓
118	Electrode sleeve	3475	1	✓
119	Burner assembly A24, A26	40150	1	✓
125	Heat exchanger assembly A24, A26	40153	1	✓
126	Heat exchanger support bracket	40156	1	✓
130	Exhaust flue A24, A26	40161	1	✓
131	Packing exhaust outlet A24, A26	2933	1	✓
132	Front panel seal packing A24, A26	2934	1	✓
150	Combustion fan motor A24, A26	40162	1	✓
151	Fan casing A24, A26	40164	1	X
152	Combustion fan assembly A24, A26	40167	1	X
701	Igniter fixing plate	40175	1	X
714	Bracket A thermal fuse	40189	4	✓
715	Bracket B thermal fuse	40190	6	✓
717	Heater clip A	2032	1	X
718	Heater clip B	40192	2	✓
807	Tapping screw	2896	1	X
820	Screw	2938	2	X
828	O-ring M10B-2-14	3826	2	✓

## INFINITY A-Series external residential CFWH

(A16: REU-A1620WG-ZK, A16 Graphite: REU-A1620WG-ZK(B), A20: REU-A2024WG-ZK, A24: REU-A2426WG-ZK, A26: REU-A2626WG-ZK, A26 Graphite: REU-A2626WG-ZK(B))

This diagram is provided to assist you to identify parts if replacement is necessary. Contact your place of purchase or the manufacturer to enquire about parts, availability and/or service.

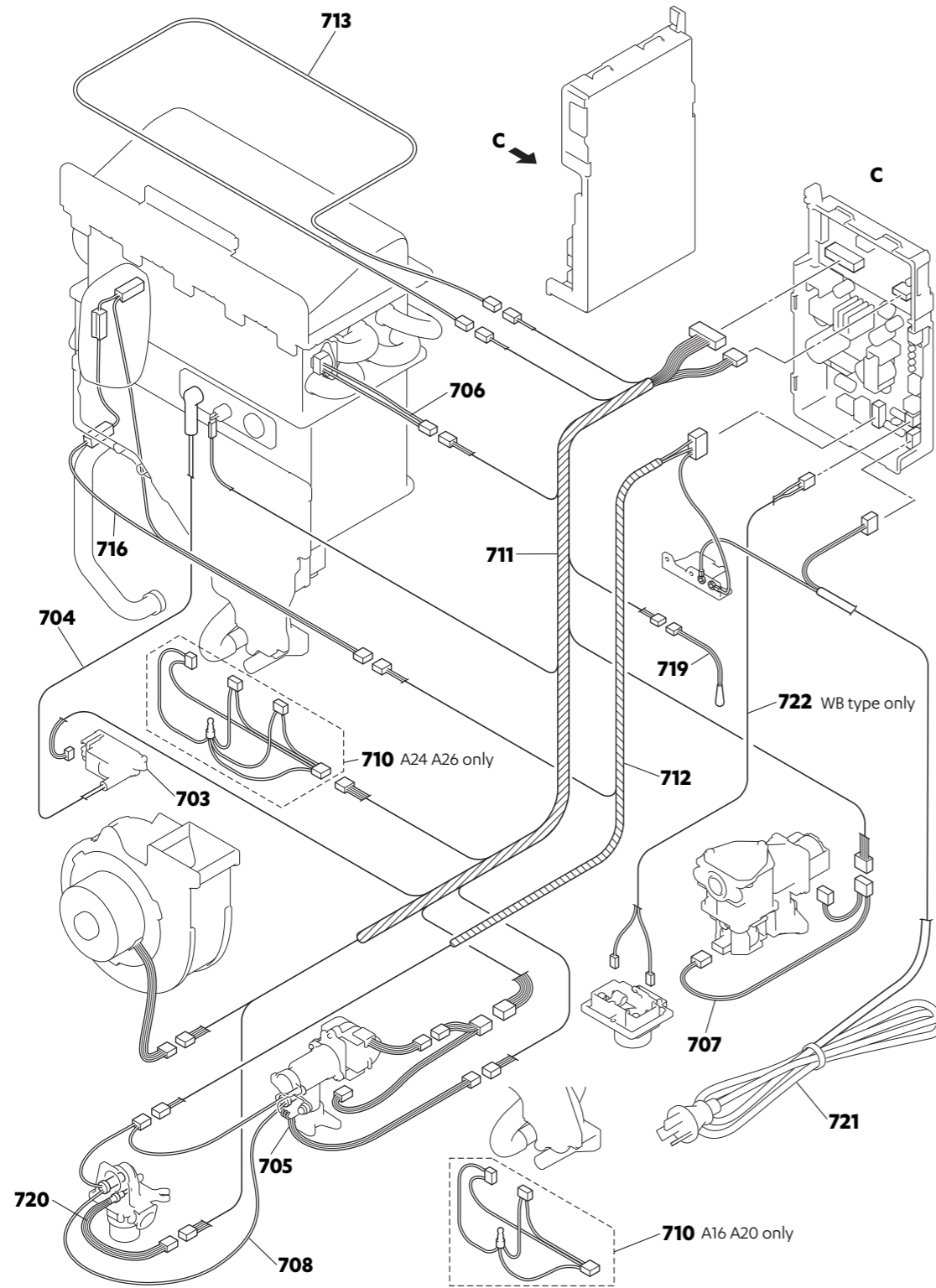


Ref.	Description	Part No.	A16	A20	A24	A26	Stocked
006	Thermal fuse harness	2887	1	1	1	1	✓
007	Cable seal packing 3203	3551	1	1	1	1	✓
009	Temperature sensor cover	40109	1	1	1	1	✓
100	Gas connection	40112	1	1	1	1	✓
101	Test point screw	3564	2	2	2	2	✓
102	Gas control assembly	40113	1	1	1	1	✓
127	Fixing bracket	40157	1	1	1	1	✓
128	Heat exchanger outlet bracket	40158	1	1	1	1	✓
400	Inlet water connection 1/2" A16	3210	1				✓
400	Inlet water connection 3/4" A20, A24, A26	3484		1	1	1	✓
401	Plug band inlet	2927	1	1	1	1	✓
402	Incoming water filter	3839	1	1	1	1	✓
404	Flow straightener	3487	1	1	1	1	✓
406	Water servo and sensor	40170	1	1	1	1	✓
406a	Water flow turbine	40256	1	1	1	1	✓
407	Water flow servo cover	40171	1	1	1	1	✓
410	Water outlet 1/2" A16	40172	1				X
410	Water outlet 3/4" A20, A24, A26	40173		1	1	1	X
411	Plug band hot water	2926	1	1	1	1	X
412	Pressure relief valve	3491	1	1	1	1	✓
700	PCB main assembly	40174	1	1	1	1	✓
702	PCB cover	40176	1	1	1	1	✓
808	Thermistor stop screw	3241	1	1	1	1	✓
809	Screw	2938	2	2	2	2	X
821	Gas inlet o-ring	3837	1	1	1	1	✓
822	Packing	5255	1	1	1	1	✓
825	O-ring thermistor	3832	1	1	1	1	✓
826	O-ring pressure relief valve	1031	1	1	1	1	✓
829	O-ring water inlet filter	1244	1	1	1	1	✓
830	O-ring water inlet	3627	1	1	1	1	✓

## INFINITY A-Series external residential CFWH

(A16: REU-A1620WG-ZK, A16 Graphite: REU-A1620WG-ZK(B), A20: REU-A2024WG-ZK, A24: REU-A2426WG-ZK, A26: REU-A2626WG-ZK, A26 Graphite: REU-A2626WG-ZK(B))

This diagram is provided to assist you to identify parts if replacement is necessary. Contact your place of purchase or the manufacturer to enquire about parts, availability and/or service.



Ref.	Description	Part No.	A16	A20	A24	A26	Stocked
703	Ignitor assembly	40177	1	1	1	1	✓
704	High tension lead	40178	1	1	1	1	✓
705	MR sensor	5239	1	1	1	1	✓
706	Overheat switch	40179	1	1	1	1	✓
707	Gas control harness	40180	1	1	1	1	✓
708	Antifrost lead	40181	1	1	1	1	✓
710	Solenoid harness A24, A26	40182			1	1	✓
710	Solenoid harness A16, A20	40183	1	1			✓
711	Sensor harness A16, A20	40184	1	1			✓
711	Sensor harness A24, A26	40185			1	1	✓
712	Power harness	40186	1	1	1	1	✓
713	Thermal fuse harness A16	40187	1				✓
713	Thermal fuse harness A20, A24, A26	40188		1	1	1	✓
716	Antifrost harness	40191	1	1	1	1	✓
719	Temperature sensor	40193	1	1	1	1	✓
720	Twin thermistor	40194	1	1	1	1	✓
721	Power cord	40195	1	1	1	1	✓
722	Remote control harness	2891	1	1	1	1	✓