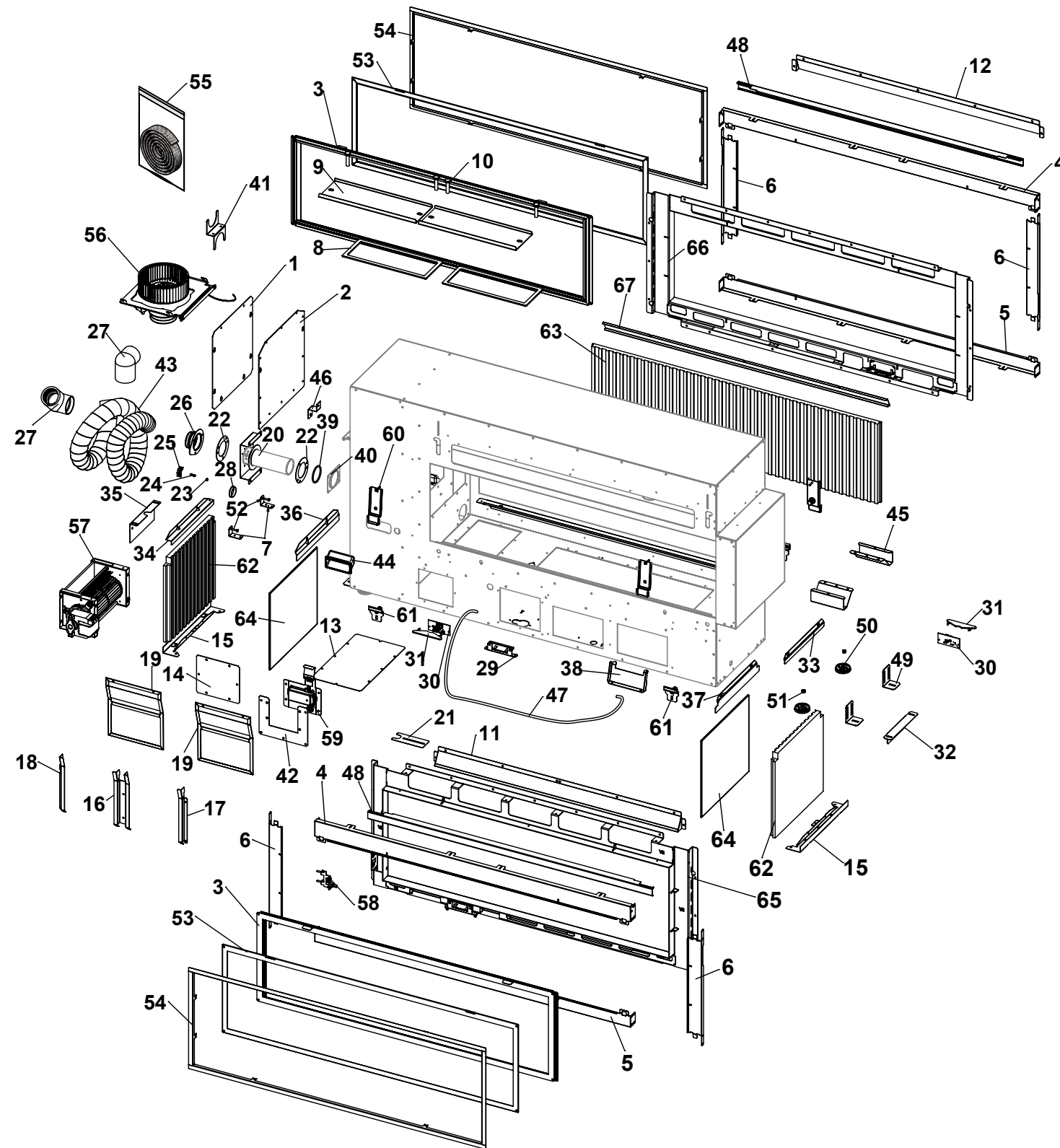


This diagram is provided to assist you to identify parts if replacement is necessary. Contact your place of purchase or the manufacturer to enquire about parts, availability and/or service.



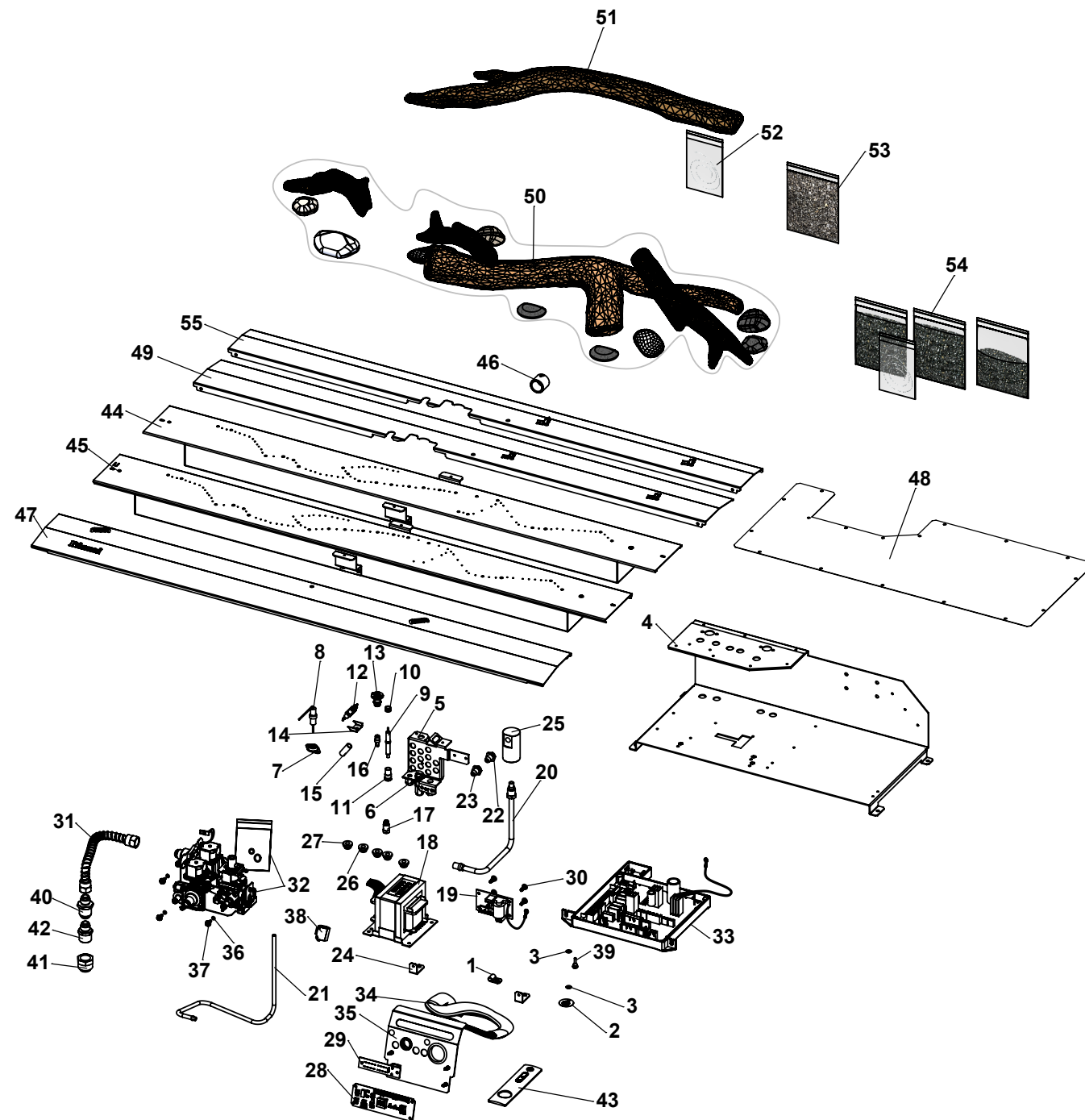
Ref.	Description	Part No.
1	Fan access panel A	13317
2	Fan access panel B	13509
3	Glass frame (rope seal tape fitted) <sup>3</sup>	13443
4	Wallboard support rail top	13515
5	Wallboard support rail bottom	13517
6	Wallboard support rail side	13516
7	Fan mounting bracket	13311
8	Pressure relief gasket	13330
9	Pressure relief panel	13312
10	Pressure relief pin	13352
11	Front air diverter guide	16116B
12	Rear air diverter guide <sup>2</sup>	13508B
13	Convection fan access panel	13319
14	Front fan access panel	13321
15	Panel support bracket	13327F
16	Centre filter rail	16112GL
17	Right filter rail	16113GL
18	Left filter rail	16114GL
19	Filter	16111G
20	Air inlet assembly	10236
21	Pipe inlet cover	13331
22	Air inlet packing	10238
23	Test point packing	9995
24	Air pressure tube	10492
25	Pressure tube clamp	10493
26	Air inlet hose connector	10344
27	Rubber air elbow	4328
28	Edge protector 32 mm	11937
29	IR receiver bracket	13468GL
30	IR receiver PCB	13419
31	IR receiver lens acrylic	13416
32	Right ceramic panel spacer	13358
33	Right ceramic panel holder	13359F
34	Left ceramic panel holder	13355F
35	Left ceramic panel spacer	13356
36	Left magic black glass retainer	13363F
37	Right magic black glass retainer	13374F
38	Control panel holder	13402
39	O-ring 49 mm	4850
40	Inlet seal clamp plate	13532
41	Flue clamp bracket	13398
42	Inlet access panel	13323

Ref.	Description	Part No.
43	Air inlet hose	10349
44	Plastic handle	B021363
45	Handle / spacer	13339
46	TH1 thermistor bracket	13900
47	Silicone tube 7 mm	12658
48	Louvre	13617B
49	Seismic restraint bracket	13384
50	Adjustable rubber foot assy.	1610
51	M6 nut	9176
52	M4 x 20 screw pan phillips ZP	9073
53	Mesh guard assembly (accessory)	R2913
54	Finishing trim (15 mm wide) (accessory)	R2916
55	Replacement ladder tape seal 4 m	R7012
56	Combustion fan	13680
57	Convection fan	13681
58	ON/OFF button assembly	13686
59	Wi-Fi receiver assembly	13687
60	Top glass retainer assembly (incl. pins, screws, spring)	16129
61	Bottom glass retainer assy. (incl. pins, screws, spring)	13689
62	Ceramic end panel <sup>4</sup>	13692
63	Ceramic back/centre panel <sup>1</sup>	13693
64	Magic black glass end panel <sup>4</sup>	13697
65	Front lip assy. c/w IR bracket	16127
66	Rear lip assy. c/w IR bracket <sup>2</sup>	13701
67	Rear ceramic panel holder <sup>1</sup>	13513F

- 1 Single sided fire only
- 2 Double side fire only
- 3 Includes frame, glass, and ropeseal tape fitted
- 4 One panel only

# Linear 1000 V2 gas fireplace - Std log set & Crushed glass

This diagram is provided to assist you to identify parts if replacement is necessary. Contact your place of purchase or the manufacturer to enquire about parts, availability and/or service.



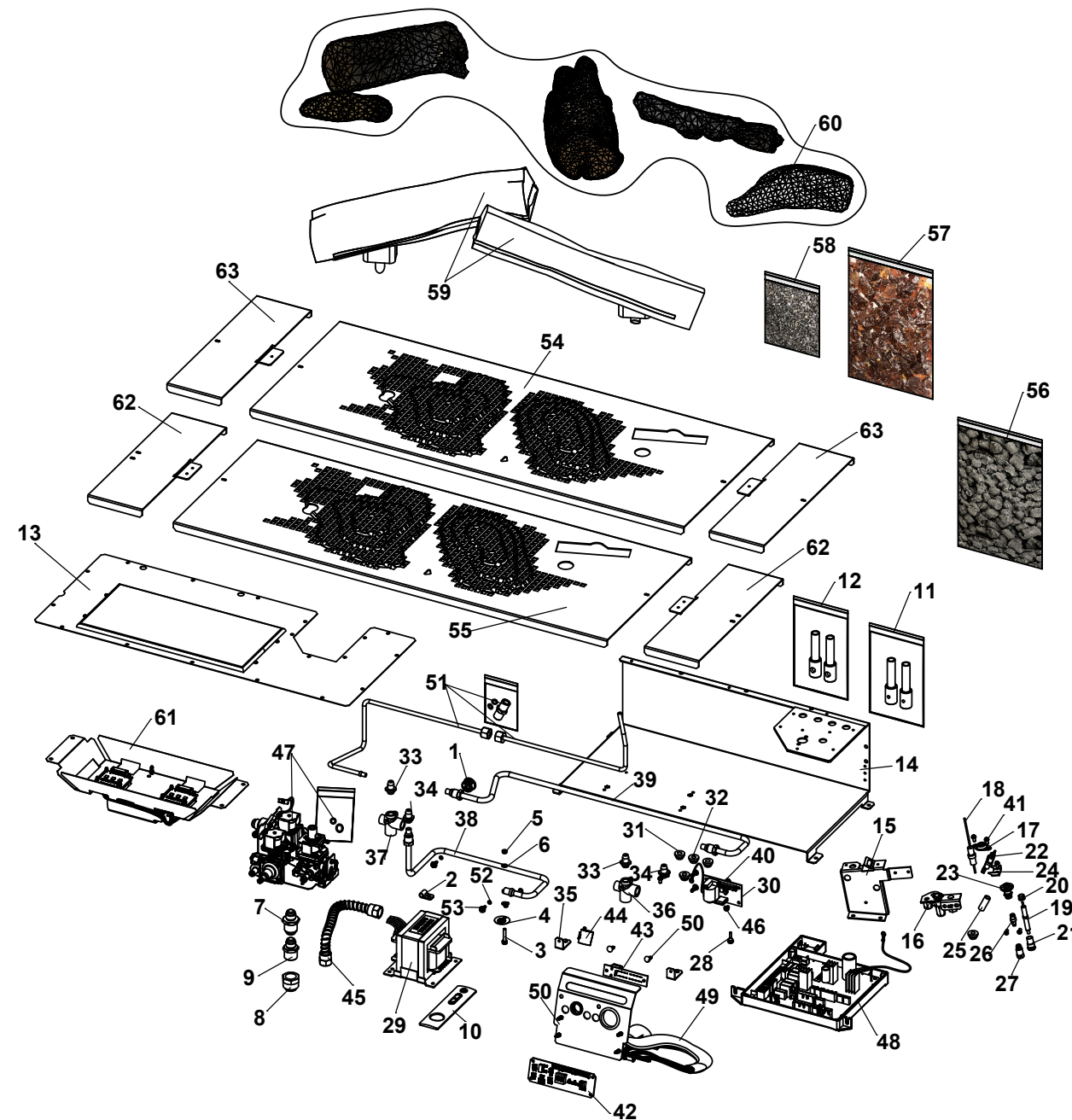
Ref.	Description	Part No.
1	Power cord P clip	9552
2	Earth tag	11269
3	M4 washer	9231
4	Gas control mounting plate	13364
5	Pilot bracket	12824
6	Pilot body convertible	7870
7	Flame rod bracket	3068
8	Flame rod	10274
9	Electrode	7875
10	Pilot electrode spacer	7902
11	Electrode nut	7900
12	Double spark electrode	10265
13	Pilot convertible hood 3-flame	10272
14	Electrode clamp uni control	13043
15	Silicone tube 9.5 mm	11641
16	Pilot injector LPG 35 mm	7873
16	Pilot injector NG 62 mm	7795
17	Olive 6 mm	7519
18	Transformer	10258
19	Igniter	13006
20	Main gas supply tube	13430
21	Pilot gas supply tube	13431
22	Injector main LPG 1.7	11534
23	Injector main NG 2.8	11892
24	PCB mounting bracket	13366
25	Injector block	11530
26	Grommet silicone Ø4 hole red	10293
27	Grommet silicone 2Ø1.8 hole black	10294
28	Display PCB	10253
29	PCB interface board	12494
30	PCB spacer black	9004
31	Flexi gas tube connector	7835
32	Gas control	13682
33	Main PCB	13684
34	Control panel harness <sup>6</sup>	13685
35	Display PCB mounting plate	13704
36	O-ring 4 mm	2239
37	Test point screw	3564
38	Ferrite clamp	13004
39	Self-fix rubber bumper 25-TNF	11304
40	½ " BSP flare - ¾ " BSP flare connector <sup>4</sup>	11944

Ref.	Description	Part No.
41	½ " compression nut <sup>5</sup>	5064
42	½ " BSPT - ¾ " BSP flare connector <sup>5</sup>	5074
43	Remote control	13040
44	Burner NG gas and propane	13462F
45	Burner ULPG	13446F
46	Aeration sleeve 22.5 mm	13340
47	Front burner surround	13447F
48	Gas control access panel	13320
49	Rear burner surround double sided <sup>2</sup>	13449F
50	Log and stone set <sup>3</sup>	13480
51	Log set C <sup>3</sup>	13482
52	Wire wool - glowing ash <sup>3</sup>	13476
53	Vermiculite (1.5 L) <sup>3</sup>	13044
54	Modern media kit (crushed glass)	R2904
55	Rear burner surround single sided <sup>1</sup>	13448F

- 1 Single sided fire only
- 2 Double sided fire only
- 3 Complete media set is R2902
- 4 NZ only
- 5 Australia only
- 6 Harness complete with protective cover

## Linear 1000 V2 gas fireplace - FlameTech log set

This diagram is provided to assist you to identify parts if replacement is necessary. Contact your place of purchase or the manufacturer to enquire about parts, availability and/or service.



Ref	Description	Part No.
1	Edge protector 19 mm adjustable	10658
2	Power cord P clip	9552
3	M4 x 25 screw with spring & flat washer	9076
4	Earth tag	11269
5	M4 nut	9186
6	M4 washer	9231
7	½" BSP flare - ¾" BSP flare connector <sup>3</sup>	11944
8	½" compression nut <sup>4</sup>	5064
9	½" BSPT - ¾" BSP flare connector <sup>4</sup>	5074
10	Remote control	13040
11	FlameTech NG aeration sleeves	13708
12	FlameTech ULPG aeration sleeves	13709
13	FlameTech gas control access panel	13706
14	FlameTech gas control mount plate	13365
15	FlameTech pilot bracket	13408
16	Pilot body convertible	7870
17	Flame rod bracket	3068
18	Flame rod	10274
19	Electrode	7875
20	Pilot electrode spacer	7902
21	Electrode nut	7900
22	Double spark electrode	10265
23	Pilot convertible hood 3-flame	10272
24	Electrode clamp uni control	10343
25	Silicone tube 9.5 mm	11641
26	Pilot injector LPG 35 mm	7873
26	Pilot injector NG 62 mm	7795
27	Olive 6 mm	7519
28	Self-fix rubber bumper 25-TNF	11304
29	Transformer	10258
30	Igniter	13006
31	Grommet silicone Ø4 hole red	10293
32	Grommet silicone 2Ø1.8 hole black	12094
33	Injector main LPG 1.2 (NZ)	12505
33	Injector main Propane 1.3 (Aust)	12506
34	Injector main NG 2.0	11221
35	PCB mounting bracket	13366
36	Injector mounting block (A+B)	7952
37	Injector mounting block (A+B+C)	12208
38	FlameTech gas supply tube A	13432
39	FlameTech gas supply tube - joiner	13433
40	PCB spacer black	9004

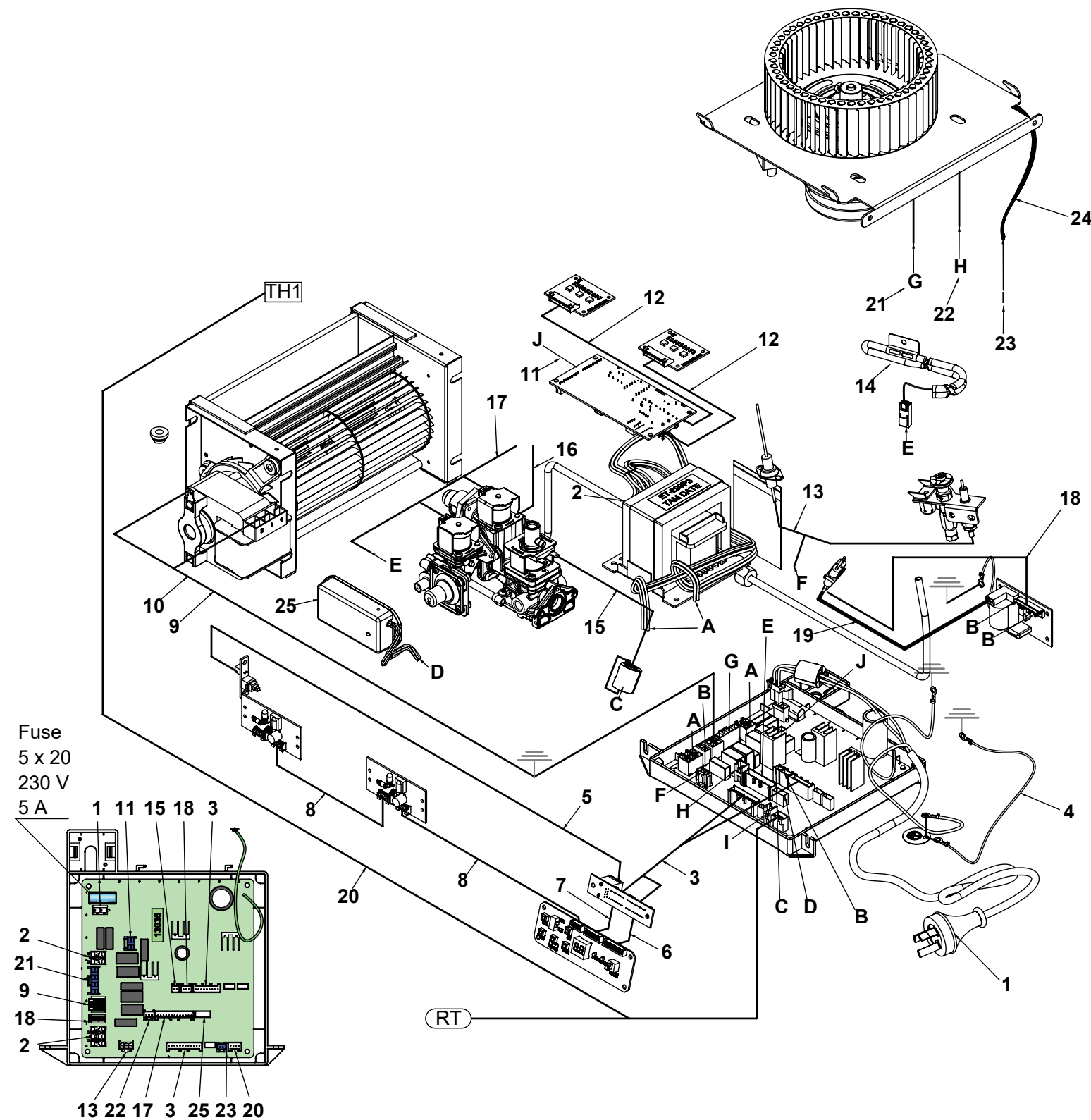
Ref	Description	Part No.
41	M4 x 8 screw PHPMZ c/w washer	9064
42	Display PCB	10253
43	PCB interface board	12494
44	Ferrite clamp	13004
45	Flexi gas tube connector	7835
46	Earthing screw c/w serrated washer	9143
47	Gas control	13682
48	Main PCB	13684
49	Control panel harness <sup>5</sup>	13685
50	Display PCB mounting plate	13704
51	FlameTech pilot gas supply tube	13707
52	O-ring 4 mm	2239
53	Test point screw	3564
54	FlameTech double sided burner surround <sup>1</sup>	13324F
55	FlameTech single sided burner surround <sup>2</sup>	13316F
56	Black ember (1 kg)	13471
57	Glass embers (2.5 kg)	13475
58	Vermiculite (1.5 L)	13044
59	FlameTech self burning logs	13497
60	FlameTech decorative log set	13499
61	LED display and controller	13705
62	Infill panel single sided <sup>1</sup>	16222F
63	Infill panel double sided <sup>2</sup>	16223F

- 1 Single sided fire only
- 2 Double sided fire only
- 3 NZ only
- 4 Australia only
- 5 Harness complete with protective cover



## Linear 1000 V2 gas fireplace (wiring)

This diagram is provided to assist you to identify parts if replacement is necessary. Contact your place of purchase or the manufacturer to enquire about parts, availability and/or service.



Ref.	Description	Part No.		
		800 & 1000 FlameTech	1000	1500
1	Power cord universal control	13042		
2	Transformer	10258		
3	Harness control panel	10284		
4	Wire earth combustion fan	10387		
5	Harness on/off	13379		
6	Harness 12-way control panel	12492		
7	Harness 9-way control panel	12496		
8	Harness receiver	12656		
9	Harness fan - PRE Feb 2020	12839		
9	Harness fan - POST Feb 2020	13407	13407	13101
10	Harness fan extension	N/A	N/A	13351
11	Harness control PCB LED FT only	13333	N/A	N/A
12	Harness LED FT only	13334	N/A	N/A
13	Harness flame rod	13008		
14	Thermal fuse	13011		
15	Harness POV	13012		
16	Harness MV relay	13013		
17	Harness TFMV 1-burner	13014	13014	N/A
17	Harness TFMV 2-burner	N/A	N/A	13010
18	Harness ignition	13031		
19	HT lead universal control	13089		
20	Harness RT OH1	13483		
21	Harness combustion fan	10289		
22	Harness combustion fan speed	10480		
23	Harness combustion fan thermistor fly	10507		
24	Harness thermistor combustion fan	13559		
25	Wi-Fi receiver	13038		