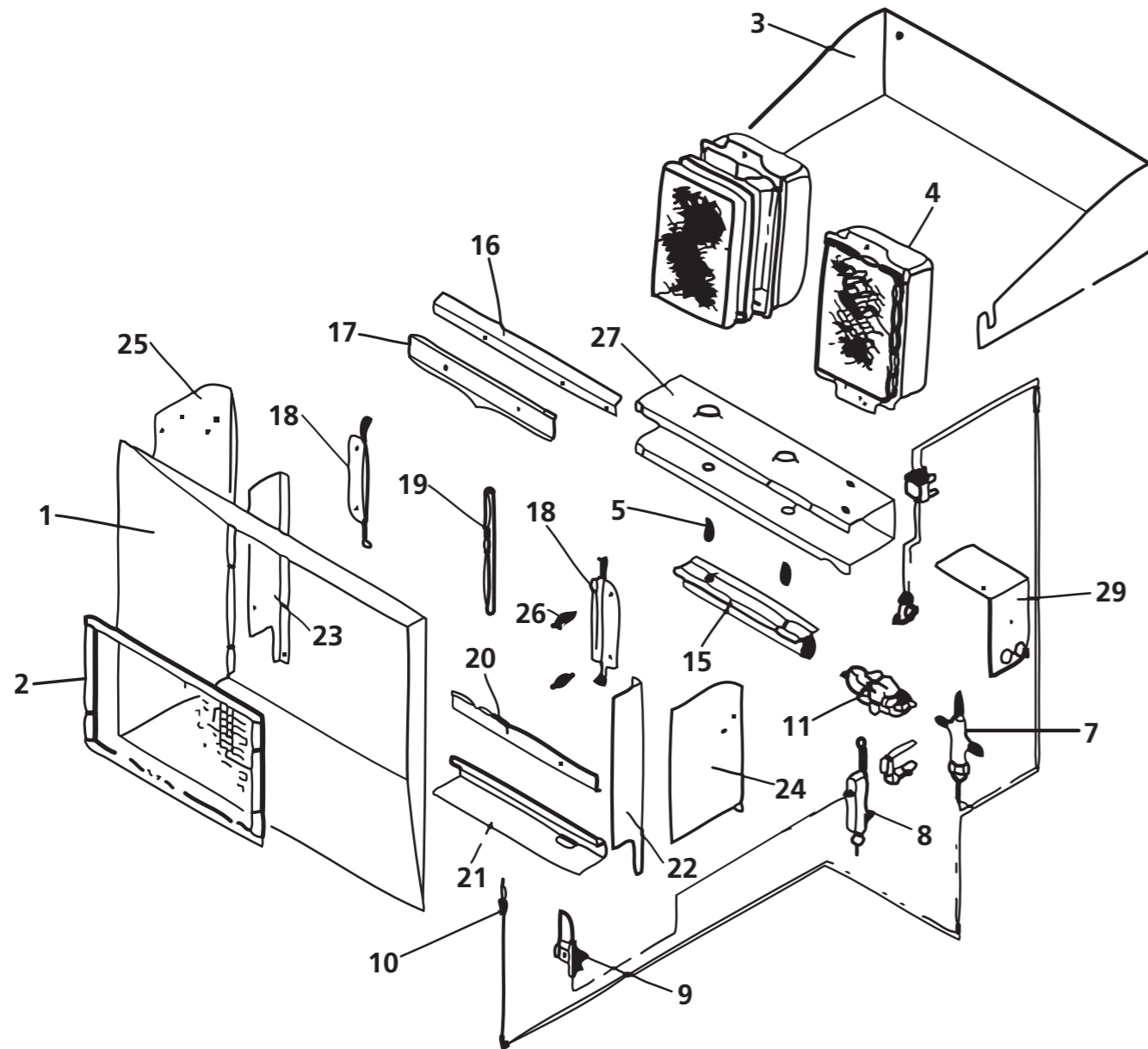


## Super Ray Indoor Manual Heaters (WMA 16, 24, 40, 48)

This diagram is provided to assist you to identify parts if replacement is necessary. Contact your place of purchase or the manufacturer to enquire about parts, availability and/or service.



Ref.	Description	WMA 16.	WMA 24	WMA 40	WMA 48
1	Reflector	6036	6037	6038	6039
2	Economiser screen assembly (incl. split pins)	1512	1513	1523	1524
3	Wall mounting bracket	6040	6041	6042	6043
4	Burner assembly	1514 x 2	1514 x 3	1514 x 5	1514 x 6
5	Injector NG 1.30	5452 x 2	5452 x 3	5452 x 5	5452 x 6
5	Injector LPG 0.80	5450 x 2	5450 x 3	5450 x 5	5450 x 6
7	Flame failure valve	7942	7942	7942	7942
-	Tip over switch assembly	6130	6130	6130	6130
8	Sparker replacement kit (replaces Piezo igniter, ignition spring and tipover switch)	4987	4987	4987	4987
9	Electrode assembly	5054	5054	5054	5054
10	Thermocouple	5049	5049	5052	5052
11	Regulator assembly NG only	R5042	R5042	R5042	5060
15	Manifold NG	5176	5178	5180	5182
15	Manifold LPG	5177	5179	5181	5183
16	Top burner frame	5196	5200	5198	5199
17	Top plaque retainer	5202	6021	5203	5204
18	Side plaque retainer	6019 x 2	6019 x 2	6019 x 2	6019 x 2
19	Burner partition panel	6018 x 1	6018 x 2	6018 x 4	6018 x 5
20	Bottom plaque retainer	6044	6045	6046	6047
21	Cross lighting bracket	5185	5186	5187	5188
22	Side burner frame RH	5191	5191	5191	5191
23	Side burner frame LH	5189	5189	5189	5189
24	Side bracket RH	5206	5206	5206	5206
25	Side bracket LH	5205	5205	5205	5205
26	Economiser screen pin	6034 x 4	6034 x 4	6034 x 6	6034 x 6
27	Burner frame	6048	6049	6050	6051
29	Control retainer bracket	6072	6072	6072	6072
-	Flare nut ½ NG	5064	5064	5064	5064
-	Flare nut ¾ LPG	5030	5030	5030	5030
-	Pull cord	1809	1809	1809	1809
-	Terminal block	5034	5034	5034	5034
-	Electrode/HT lead	7766	7766	7766	7766